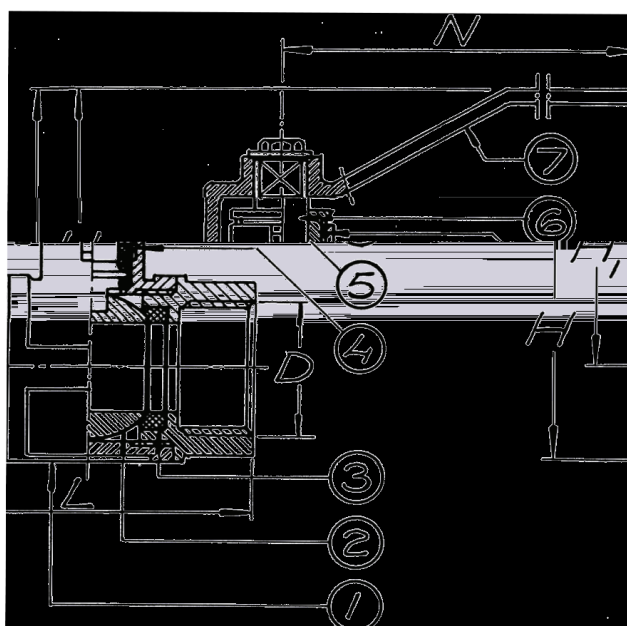




Ball Valve PN 25 Thread Straight Bronze

Model/Ref: 443024

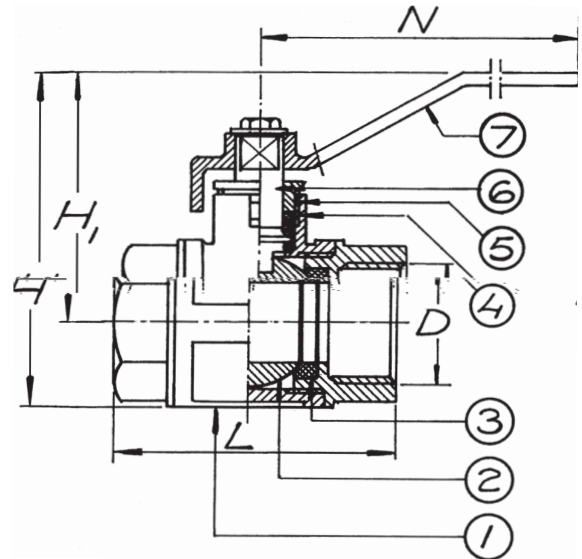


*Partnership.
Without Limits.*

www.lauridsenindustri.com

Ball Valve PN 25 Thread Straight Bronze

No	Part	Material
1	Body	Bronze Rg5
2	Ball	Brass, Hardchrome
3	Seating	PTFE
4	Stem packing	PTFE
5	Gland	Brass
6	Stem	Brass
7	Lever DN8-50	AISI 430
8	Lever DN65-100	AISI 430
9		
10		


Variants:

Seating Carbon filled PTFE
 Stainless steel lever

Other dimensions/materials on request

DN	D	N	L	H1	H	Max working-pressure		Weight Kg
						Mpa 100 °C	Mpa 185 °C	
8	1/4"	88	51	41	55	2,5	2,0	0,2
10	3/8"	88	51	41	56	2,5	2,0	0,2
15	1/2"	88	62	43	60	2,5	2,0	0,3
20	3/4"	105	70	50	67	2,5	2,0	0,4
25	1"	105	85	55	78	2,5	2,0	0,7
32	1 1/4"	140	100	70	105	2,5	2,0	1,1
40	1 1/2"	140	110	85	120	2,5	2,0	1,4
50	2"	155	134	96	140	2,5	2,0	2,4
65	2 1/2"	200	142	120	175	2,5	2,0	3,3
80	3"	285	180	134	197	2,5	2,0	3,7
100	4"	285	210	147	175	2,5	2,0	4,5