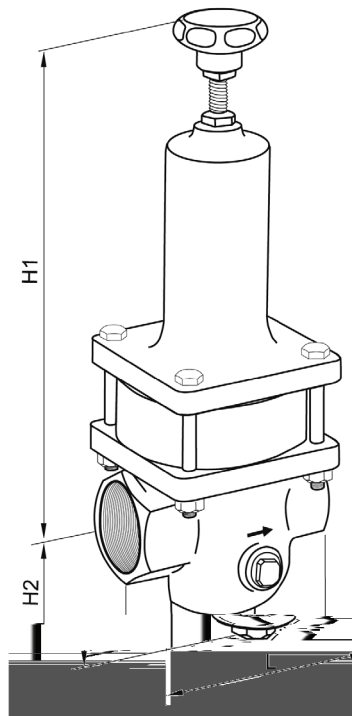




**Pressure Reducing Valve
PN 40 Thread Straight Bronze**

Model/Ref: 471023

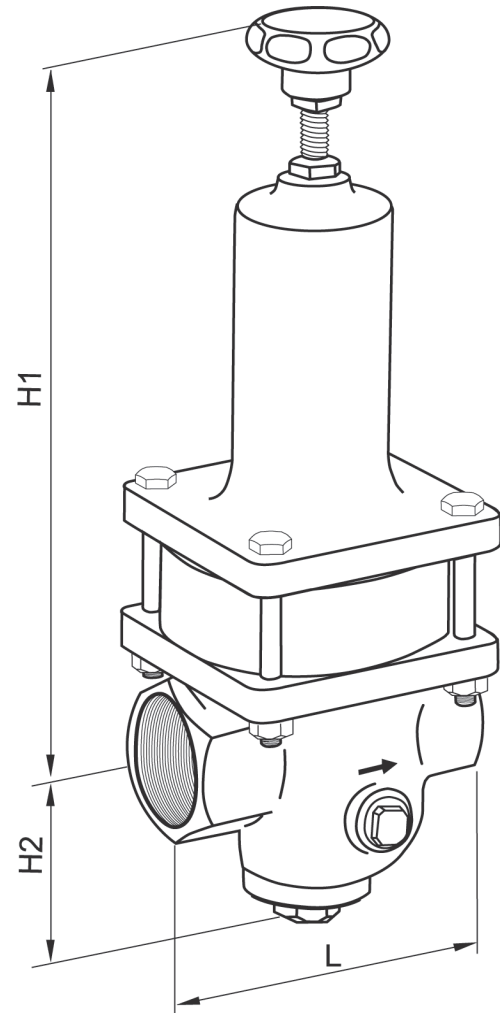


*Partnership.
Without Limits.*

www.lauridsenindustri.com

Pressure Reducing Valve PN 40 Thread Straight Bronze

No	Part	Material
1	Body	Bronze RG5
2	Seal	NBR
3		



Pressure reduction for compressed air, nitrogen, and other non combustible gases, water and other neutral non-viscous fluids.

Not suitable for steam!

DN	H1	H2	L				Max Inlet pressure	Weight Kg
8	130/143	48	70				40 bar	0,5
10	130/143	48	70				40 bar	0,6
15	140/157	48	85				40 bar	1,2
20	140/157	48	85				40 bar	1,3
25	185	55	95				40 bar	1,6
32	230	61	104				40 bar	4,2
40	230	61	108				40 bar	4,5
50	295	64	147				40 bar	7,2