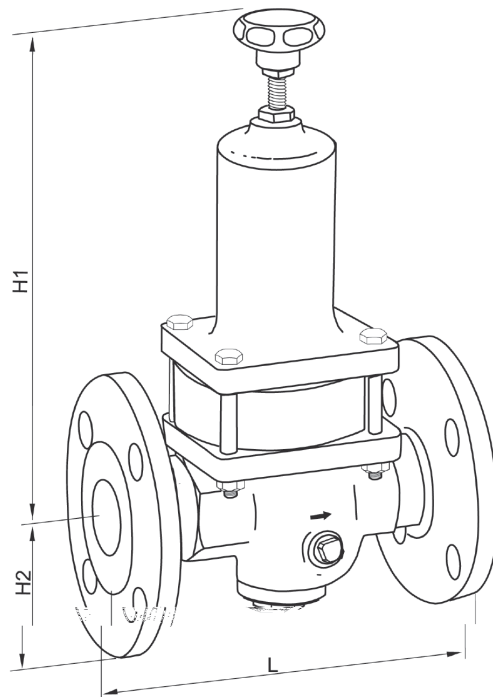




**Pressure Reducing Valve  
PN 40/30 Flange Straight Bronze**

Model/Ref: 471223



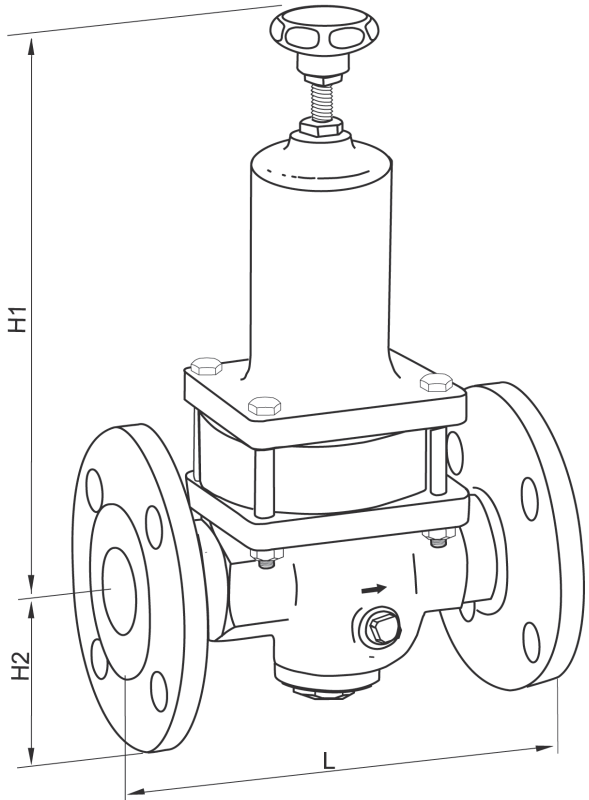
*Partnership.  
Without Limits.*

[www.lauridsenindustri.com](http://www.lauridsenindustri.com)

## Pressure Reducing Valve

### PN 40/30 Flange Straight Bronze

No	Part	Material
1	Body	Bronze RG5
2	Seal	NBR
3		



Pressure reduction for compressed air, nitrogen, and other non-combustible gases, water and other neutral non-viscous fluids.

*Not suitable for steam!*

DN	H1	H2	L					Max Inlet pressure	Weight Kg
<b>15</b>	188	47,5	130					40 bar	3,4
<b>20</b>	190	52,5	150					40 bar	4,4
<b>25</b>	205	57,5	160					40 bar	5,9
<b>32</b>	337	70	180					40 bar	11,2
<b>40</b>	335	75	200					40 bar	12,1
<b>50</b>	363	82,3	230					40 bar	17,0