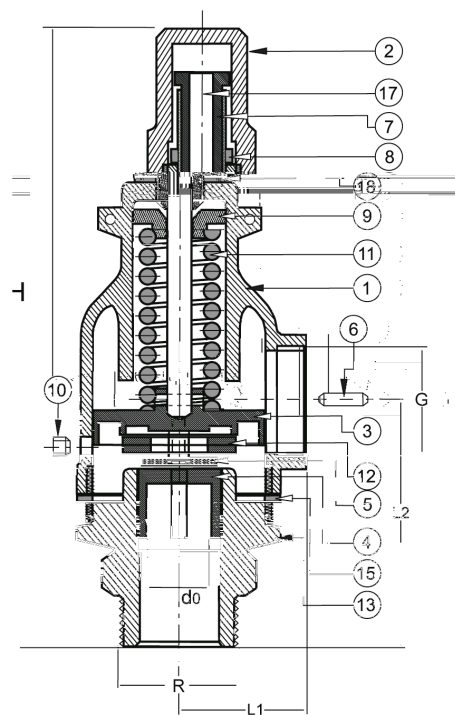




S □ □ □ □ □ V □ □ □ □ □ PN 25 T □ □ □ □ □ S □ □ □ □ □ □ SS316

Model/Ref: 475693

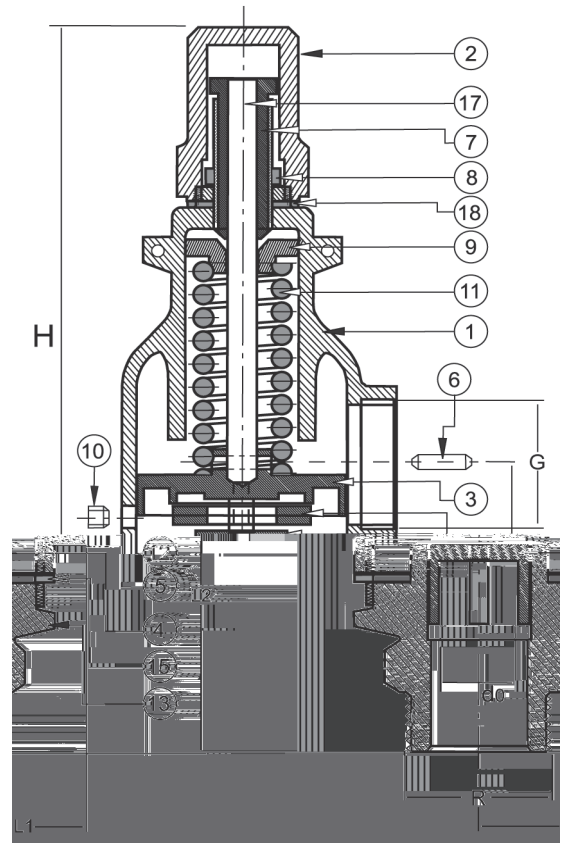


*Partnership.  
Without Limits.*



**S □ □ □ □ □ V □ □ □ □ PN 25 T □ □ □ □ □ S □ □ □ □ □ SS316**

No	Part	Material
1	Body	Stainless steel (DIN-1.4408)
2	Cap	Stainless steel (DIN-1.4305/1.4408)
3	Coupling	Stainless steel (DIN-1.4401/1.4408)
4	Lead	Stainless steel (DIN-1.4408)
5	Washer	Stainless steel (DIN-1.4401)
6	Clip	Stainless steel (DIN-1.4310)
7	Hollow screw	Stainless steel (DIN-1.4305)
8	Hollow screw nut	Stainless steel (DIN-1.4305)
9	Spring press	Stainless steel (DIN-1.4301)
10	Cap	Asbestos free
11	Spring	Stainless steel (DIN-1.4300)
13	Scerwed seat	Stainless steel (DIN-1.4408)
15	Body coupling	PTFE
17	Rod	Stainless steel (DIN-1.4301)
18	Hood coupling	PTFE



**Operating conditions:**  
 max.temp in 250 C°  
 min.temp in -60 C°

DN	RxG	do	H	L1	L2	Max working-pressure		Weight Kg
						Air Mpa	Air Mpa	
8	1/4" x 1/4"	10,2	129	30	43	2,5		0,46
10	3/8" x 3/8"	10,2	129	30	43	2,5		0,45
15	1/2" x 1/2"	16,2	140	32	52	2,5		0,62
20	3/4" x 3/4"	20,8	158	35	61	2,5		0,84
25	1" x 1"	25,2	181	38	72	2,5		1,20
32	1 1/4" x 1 1/4"	32,2	212	44	80	2,5		1,80
40	1 1/2" x 1 1/2"	38,2	247	55	91	2,5		3,00
50	2" x 2"	45,2	315	70	110	2,5		5,30
65	2 1/2" x 2 1/2"	60,2	349	75	125	2,5		6,00
80	3" x 3"	75,2	415	90	136	2,5		8,70
100	4" x 4"	95,2	483	105	163	2,5		24,00