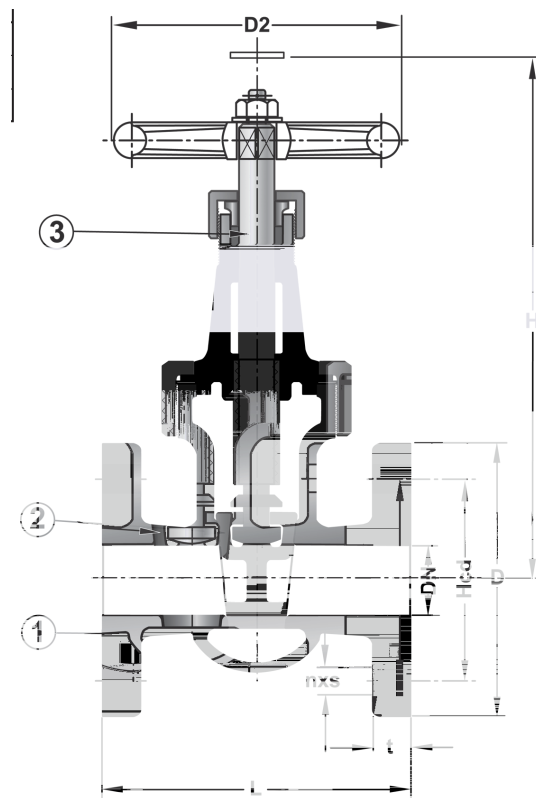




## Gate Valve JIS 5K Flange Straight Bronze

Model/Ref: F-7367

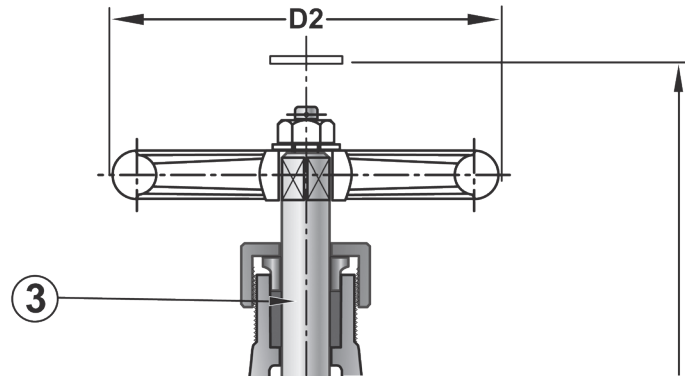


*Partnership.  
Without Limits.*

[www.lauridsenindustri.com](http://www.lauridsenindustri.com)

**Gate Valve JIS 5K Flange Straight Bronze**

No	Part	Material
1	Body	Bronze
2	Disc	Bronze
3	Stem	Brass



DN	L	D	Hcd	nxs	H	D2	Max working-pressure		Weight Kg
							Kg/cm2 120 °C	Kg/cm2 205 °C	
15	90	80	60	4x12	175	80	7 bar	5 bar	2,29
20	100	85	65	4x12	200	100	7 bar	5 bar	2,98
25	110	95	75	4x12	220	125	7 bar	5 bar	4,10
32	130	115	90	4x15	250	125	7 bar	5 bar	5,79
40	140	120	95	4x15	290	140	7 bar	5 bar	7,78