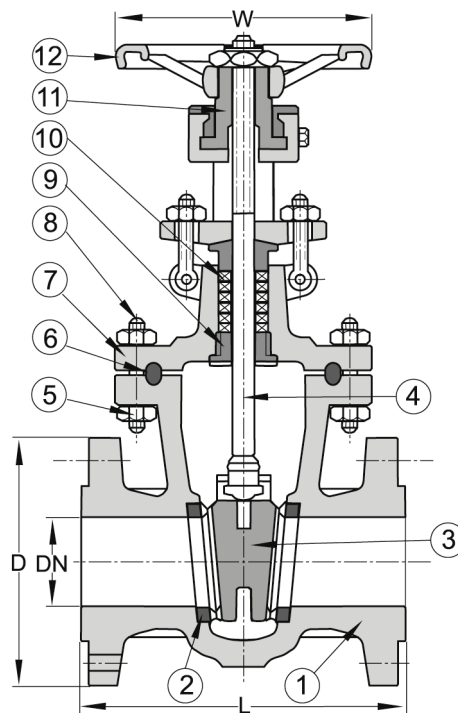




## Gate Valve ANSI 150 Flange Straight WCB

Model/Ref: 620767

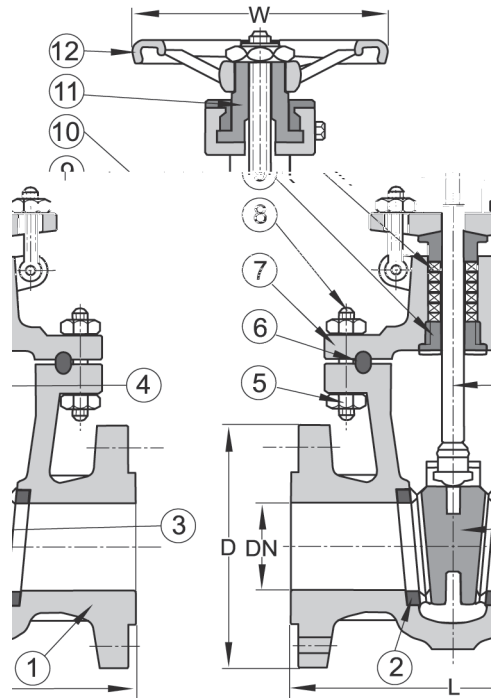


*Partnership.  
Without Limits.*

[www.lauridsenindustri.com](http://www.lauridsenindustri.com)

**Gate Valve ANSI 150 Flange Straight WCB**

No	Part	Material
1		
2		
3		
4		
5		
6		
7		
8		
9		
10		
11		
12		
13		
14		
15		



Variants

DN	D	n	Hcd	d	L	Max working-pressure, Mpa		Weight Kg
						-29 to 38 °C	400 °C	
50								
65								
80								
100								
125								
150								
200								
250								
300								
350								
400								
450								
500								
600								