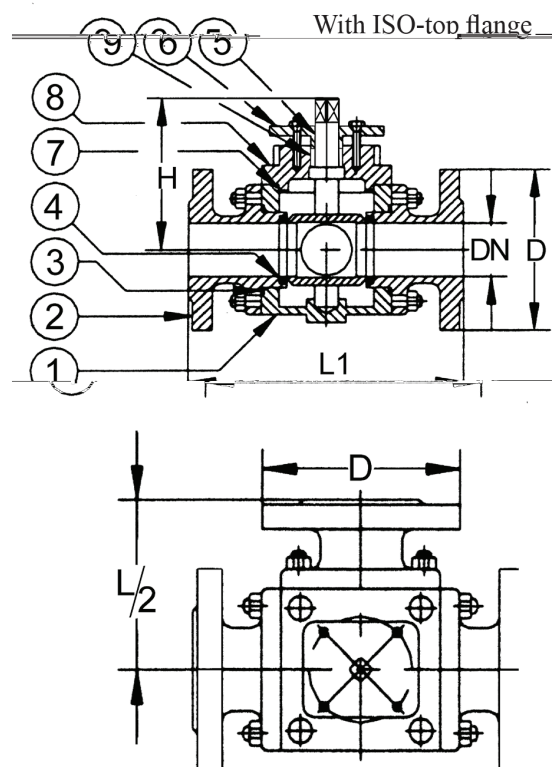




**3-Way Ball Valve PN 16  
Flange 3-way SS316**

Model/Ref: 448192



*Partnership.  
Without Limits.*

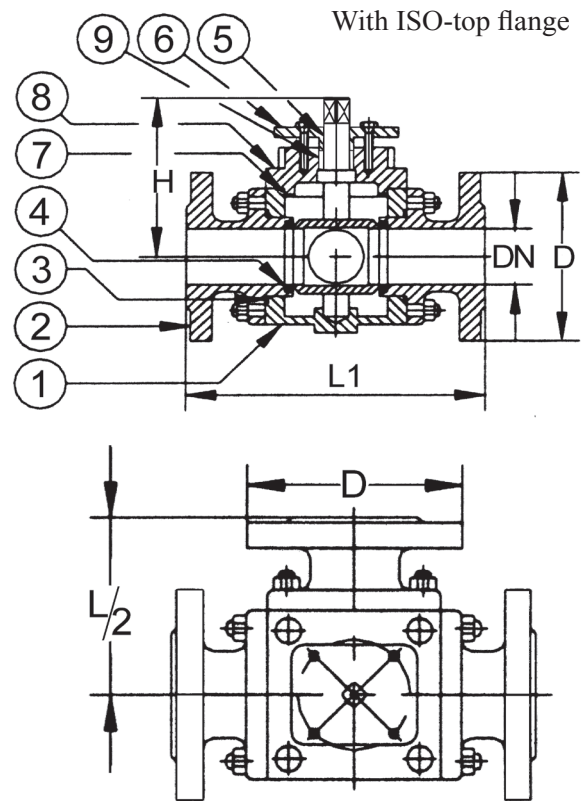
[www.lauridsenindustri.com](http://www.lauridsenindustri.com)

**3-Way Ball Valve PN 16 Flange 3-way SS316**

No	Part	Material
1	Body	Stainless steel SS316
2	Flange	Stainless steel SS316
3	Packing	PTFE
4	Seatring	PTFE
5	Ball with stem	Stainless steel SS316
6	Gland	Stainless steel SS304
7	Packing	PTFE
8	Top cover	Stainless steel SS316
9	Stem packing	PTFE
10		

**Variants:**

- Ball design L-port
- Ball design T-port
- Various actuators
- Seatring Carbon-filled PTFE
- Other dimensions/materials on request



DN	D	n	Hcd	d	L1	L2	Max working-pressure		Weight Kg
							Mpa 20 °C	Mpa 200 °C	
15	95	4	65	14	160	80	1,6	1,15	6,0
20	105	4	75	14	177	88,5	1,6	1,15	8,0
25	115	4	85	14	190	95	1,6	1,15	10,0
32	140	4	100	18	208	104	1,6	1,15	11,0
40	150	4	110	18	234	117	1,6	1,15	13,0
50	165	4	125	18	273	136,5	1,6	1,15	24,0
65	185	8	145	18	300	150	1,6	1,15	36,0
80	200	8	160	18	305	152,2	1,6	1,15	42,0
100	220	8	190	18	368,5	184,25	1,6	1,15	70,0
125	250	8	210	18	418	209	1,6	1,15	92,0
150	285	8	240	23	448	224	1,6	1,15	110,0
200	340	12	295	23	538	269	1,6	1,15	180,0
250	405	12	355	27	703	351,5	1,6	1,15	280,0
300	460	12	410	27	760	380	1,6	1,15	350,0