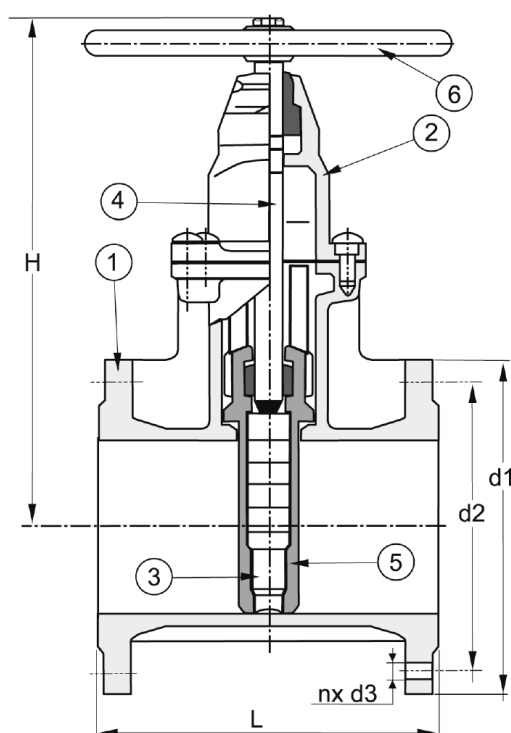




## Gate Valve PN 16/10 Flange Straight GGG40.3

Model/Ref: 620302-620301

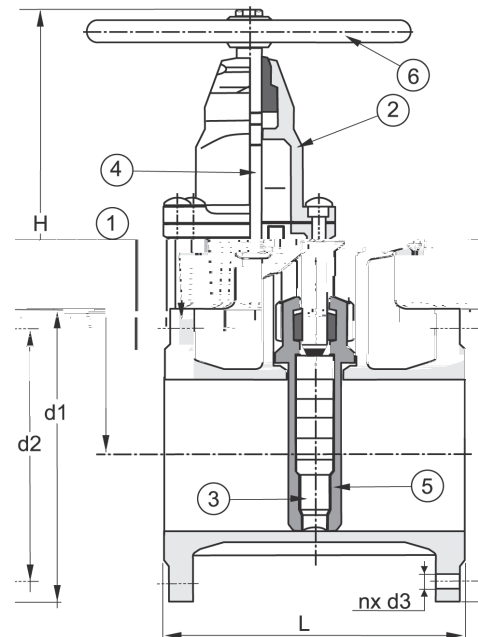


*Partnership.  
Without Limits.*

[www.lauridsenindustri.com](http://www.lauridsenindustri.com)

**Gate Valve PN 16/10 Flange Straight GGG40.3**

No	Part	Material
1	Body	Nodular Cast iron GGG40.3
2	Bonnet	Nodular Cast iron GGG40.3
3	Wedge	Nodular Cast iron GGG40.3
4	Stem	Stainless steel X20Cr13
5	Seal	NBR or EPDM
6	Handwheel	Cast iron
7		
8		
9		
10		
11		
12		
13		
14		
15		


**Variants:**

DN 200-300 available PN16

With drain plug

Various actuators

Other dimensions/materials on request

DN	d1	n	d2	d3	L	H	Max working-pressure		Weight Kg
							Mpa	120 °C	
40	150	4	110	18	140	221	1,6		11,8
50	165	4	125	18	150	225	1,6		12,7
65	185	4	145	18	170	267	1,6		18,6
80	200	8	160	18	180	275	1,6		19,6
100	220	8	180	18	190	315	1,6		25,0
125	250	8	210	18	200	395	1,6		41,0
150	285	8	240	22	210	408	1,6		46,0
<b>620301 PN10</b>									
200	340	12	295	22	230	530	1,0		78,0
250	395	12	350	22	250	640	1,0		110,0
300	445	12	400	22	270	720	1,0		144,0