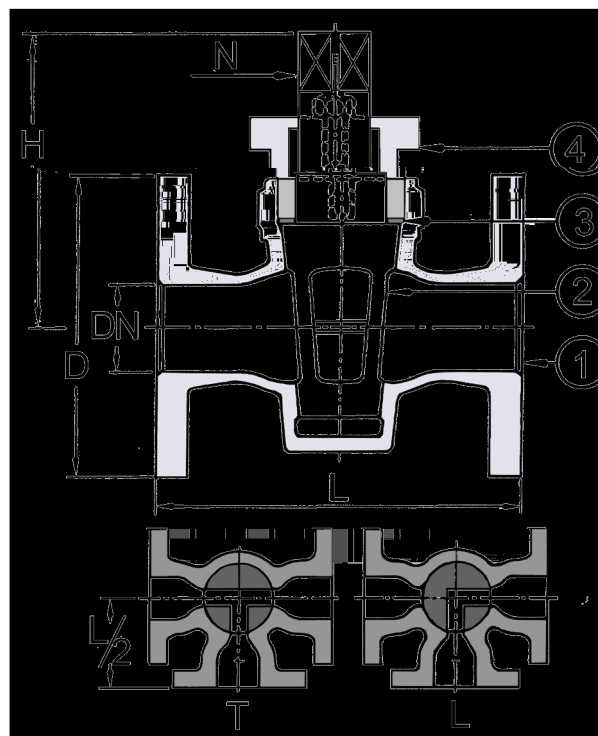




3-Way Gland Clock PN 10 Flange 3-way Bronze

Model/Ref: 404621

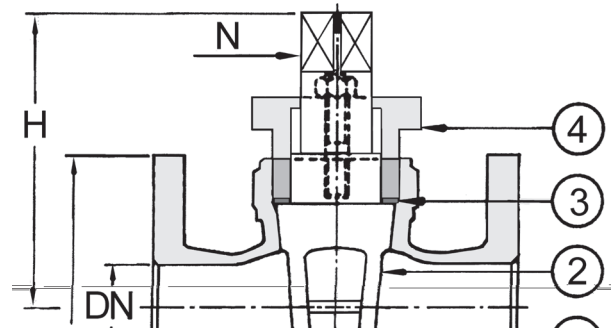


*Partnership.
Without Limits.*

www.lauridsenindustri.com

3-Way Gland Clock PN 10 Flange 3-way Bronze

No	Part	Material
1	Body	Bronze Rg5
2	Plug of cock	Bronze Rg5
3	Washer	Special brass
4	Gland	Bronze Rg5
5		
6		
7		
8		
9		
10		


Variants:

Plug of cock L-port

Plug of cock T-port

Other dimensions/materials on request

DN	D	n	Hcd	d	L	L2	Max working-pressure		Weight Kg
							Mpa 100 °C	Mpa 225 °C	
15	95	4	65	14	130	65,0	1,0	0,65	2,5
20	105	4	75	14	150	75,0	1,0	0,65	3,5
25	115	4	85	14	160	80,0	1,0	0,65	5,1
32	140	4	100	18	180	90,0	1,0	0,65	7,1
40	150	4	110	18	200	100,0	1,0	0,65	8,7
50	165	4	125	18	230	115,0	1,0	0,65	12,3
65	185	4	145	18	290	145,0	1,0	0,65	17,5
80	200	8	160	18	310	155,0	1,0	0,65	30,0