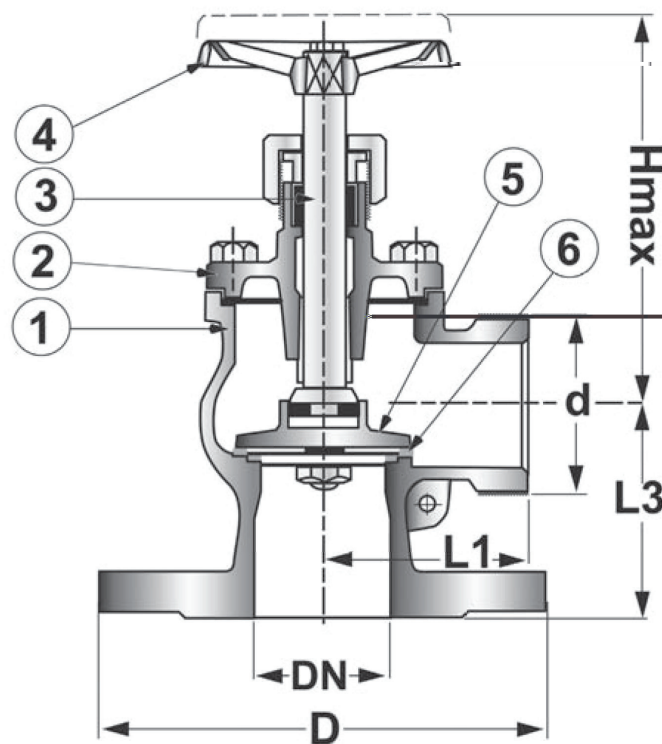




Fire Valve PN 16 Flange/Thread Angle Bronze

Model/Ref: 356722

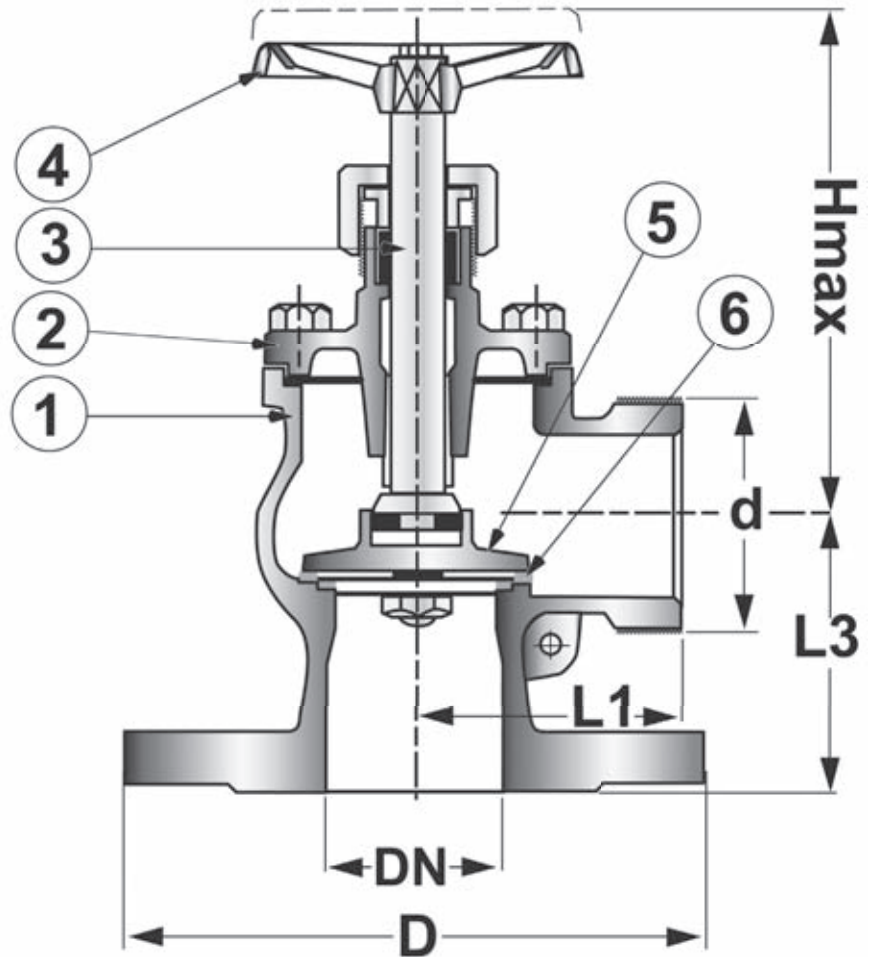


*Partnership.
Without Limits.*

www.lauridsenindustri.com

Fire Valve PN 16 Flange/Thread Angle Bronze

No	Part	Material
1	Body	Bronze Rg5
2	Bonnet	Bronze Rg5
3	Disc ring	NBR
4	Disc	Bronze Rg5
5	Stem	Special brass
6	Handwheel	Bronze Rg5


Variants:

With coupling

Flange drilled acc. to PN16

Other dimensions/materials on request

DN	d	D	L1	L3	Hmax	Max working-pressure		Weight Kg
						Mpa	90 °C	
40	1 1/2"	150	75	65	152	1,6		5,5
50	2"	165	75	75	165	1,6		6,2
65	2 1/2"	185	95	90	200	1,6		9,8