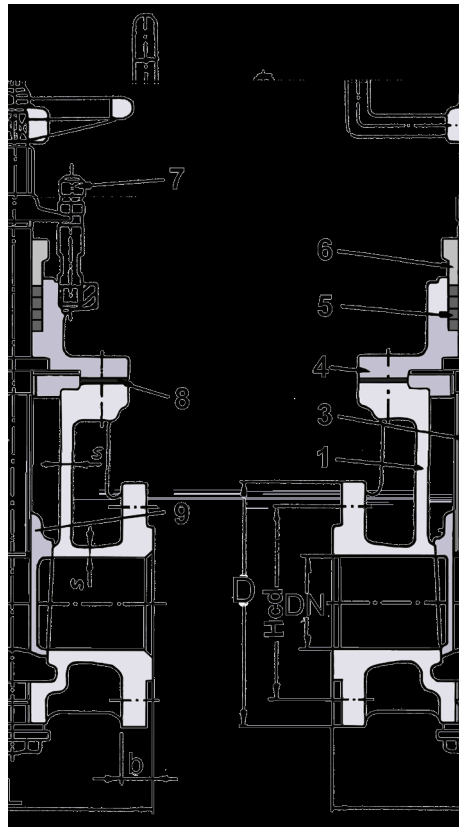




Gate Valve PN 10 Flange Straight CuSn10

Model/Ref: 850602



*Partnership.
Without Limits.*

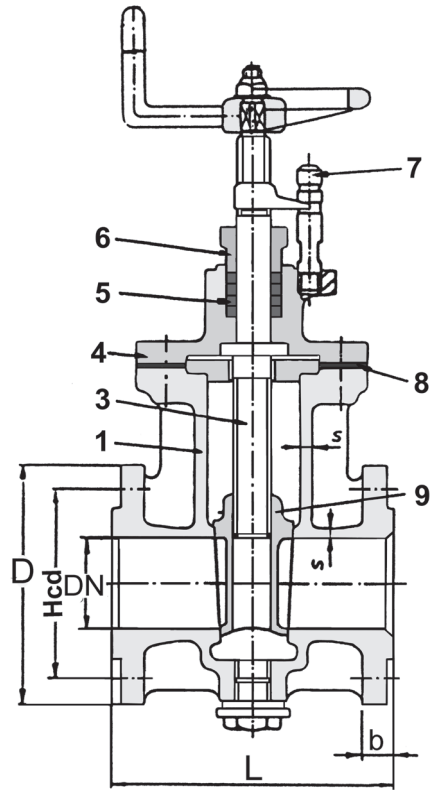
www.lauridsenindustri.com

Gate Valve PN 10 Flange Straight CuSn10

No	Part	Material
1	Body	Zincfree Bronze Cu Sn 10
2		
3	Stem	Cu Sn 8
4	Bonnet	Zincfree Bronze Cu Sn 10
5	Gland packing	PTFE
6	Gland	Zincfree Bronze Cu Sn 10
7	Indicator	Cu Sn 5 Zn Pb
8	Packing	It Mo
9	Disc	Zincfree Bronze Cu Sn 10
10		
11		
12		

Variants:
 Soft sealed

Other dimensions/materials on request



DN	D	n	Hcd	d	b	L	Max working-pressure		Weight Kg
							Mpa	Mpa	
40	108	6	84	M10	10	120	1,0	1,0	6,5
50	120	6	96	M10	10	120	1,0	1,0	7,0
70	140	8	116	M10	12	140	1,0	1,0	11,5
80	150	8	126	M10	12	140	1,0	1,0	12,5