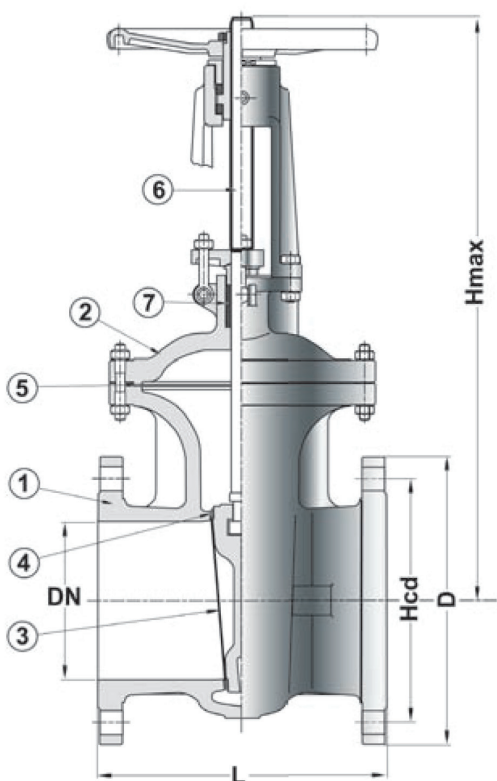




Gate Valve PN 40 Flange Straight GSC25

Model/Ref: 620764



*Partnership.
Without Limits.*

www.lauridsenindustri.com

Gate Valve PN 40 Flange Straight GSC25

No	Part	Material
1	Body	Cast steel GSC25
2	Bonnet	Cast steel GSC25
3	Disc ring	Stainless steel X20Cr13
4	Seat ring	Stainless steel X20Cr13
5	Packing	Graphite
6	Stem (rising)	Stainless steel X20Cr13
7	Glandpacking	Graphite

Variants:

With drain plug
 Various actuators
 Non rising stem
 Butt weld end
 Other dimensions/materials on request



DN	D	n x Ød	Hcd	L	Hmax	Max working-pressure		Weight Kg
						Mpa 120 °C	Mpa 400 °C	
40	150	4x18	110	240	370	4,0	2,1	18,0
50	165	4x18	125	250	400	4,0	2,1	24,5
65	185	8x18	145	290	520	4,0	2,1	39,0
80	200	8x18	160	310	570	4,0	2,1	47,0
100	235	8x18	190	350	630	4,0	2,1	59,0
125	270	8x22	220	400	735	4,0	2,1	110,0
150	300	8x26	250	450	880	4,0	2,1	138,0
200	375	12x30	320	550	1040	4,0	2,1	198,0
250	450	12x33	385	650	1235	4,0	2,1	312,0
300	515	16x33	450	750	1390	4,0	2,1	392,0
350	580	16x16	510	850	1720	4,0	2,1	700,0
400	650	16x39	585	950	1980	4,0	2,1	920,0
500	755	20x42	670	1150	2390	4,0	2,1	1650