



736-746XS VALVE WITH SF LIMIT SWITCH BOX

Model/Ref: 736xs - 746xs



*Partnership.
Without Limits.*

www.lauridsenindustri.com

CHARACTERISTICS

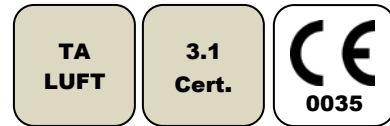
The 736XS (steel) and 746XS (stainless steel) + SF 2-way ball valves are dedicated to the manual shut-off of industrial fluids with a direct viewing of the position and information feedback to the control panel. With their 3-piece and external bolts construction, they are easy to dismantle for maintenance. This full bore valve has an antistatic device, a gland pack double tightness and is certified according to the TA-LUFT, ATEX and EC standards. The SF limit switch box has 2 dry contacts as standard equipment. Its IP 67 tightness permits the installation of the device indoor or outdoor. Various contacts and detectors are available as options.

AVAILABLE ITEMS

Sizes 1/4" to 4"

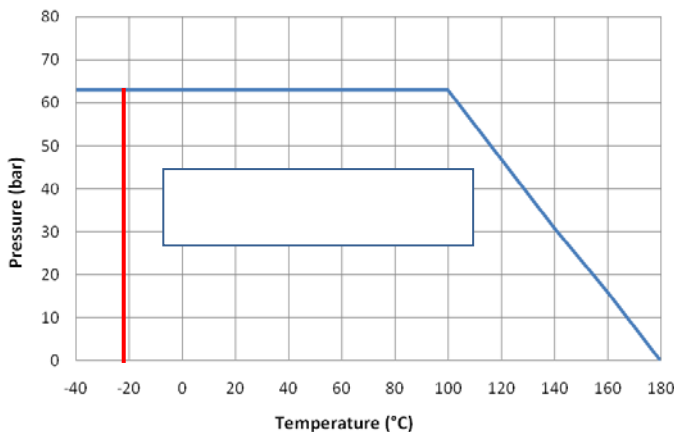
Electrical connection: 2 x M20x1.5

Attachment	BSP	SW	BW
Steel	736XS	735XS	734XS
Stainless steel	746XS	743XS	745XS



LIMITS OF USE

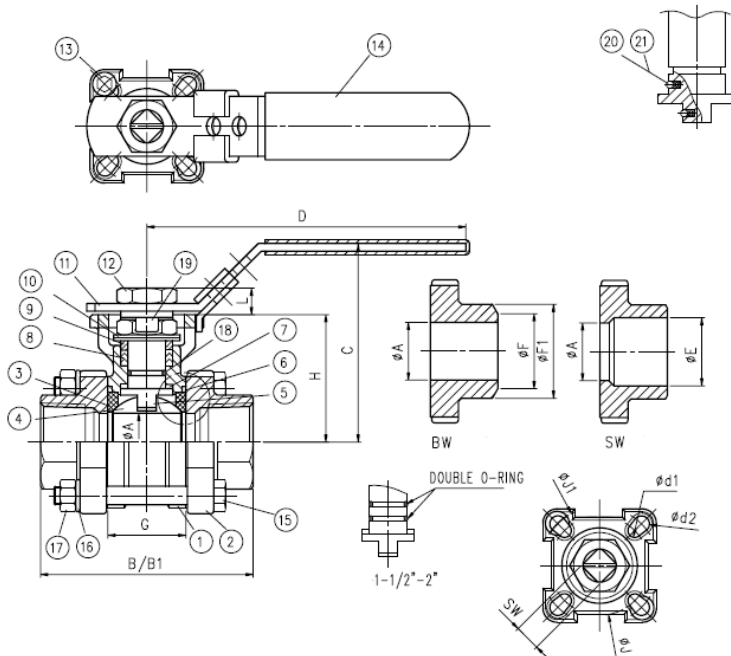
Material	Steel	Stainless steel
Max. allowable pressure (PS)	63 bar (20 °C)	
Min./max. allowable temperature (TS)	-25 °C / +180 °C	-40 °C / +180 °C
Room temperature	-20 °C / +80 °C	
Protection	IP 67	



DIRECTIVES AND DEVELOPMENT STANDARDS APPLICABLE

	Standard	Notified bodies		Standard
EC 97/23 Pressure Directive	1/4" to 1" : excluded		Valve testing	EN 12266
	1" 1/4 to 4" : category III	TÜV #0035	Material certificate	EN 10204
ATEX Directive	II 2G/D Tx zones 1, 2, 21 and 22	SIRA #0518	Shell design	EN 12516-1
	EN 13463-1 and 5		Alloy grade	EN 1503-1

#	Item	Carbon steel	Stainless steel	#	Item	Carbon steel	Stainless steel
1	Body	Carbon steel A216 WCB/1.0619	Stainless steel A351 CF8M / 1.4408	12	Nut	SS 304	SS 304
2	Ends	Carbon steel A216 WCB/1.0619	Stainless steel A351 CF8M / 1.4408	13	End stop	SS 304	SS 304
3*	Seats	PTFE+15% Graphite	PTFE+15%Graphite	14	Sleeve	PVC	PVC
4	Ball	CF8M / 316	CF8M / 316	15	Bolts	SS 304	SS 304
5	Stem	SS 316	SS 316	16	Washer	SS 304	SS 304
6*	Body gasket	PTFE	PTFE	17	Nuts	SS 304	SS 304
7*	Washer	PTFE+15% Graphite	PTFE+15% Graphite	18*	O-ring	FKM	FKM
8*	Packing	PTFE	PTFE	19	Retaining ring	SS 304	SS 304
9	Spacer	SS 304	SS 304	20	Antistatic	SS 316	SS 316
10	B washer	SS 301	SS 301	21	Spring	SS 304	SS 304
11	Lever	SS 304	SS 304	*Items provided in the maintenance kit			



DIMENSIONS (mm)

DN	A	B (G)	B (SW)	B1 (BW)	C	D	E	F	F1	G	H	J1	SW
1/4"	10	65	65	70	46.5	110	14	13	17.0	26.0	41.0	42	9
3/8"	12.5	65	65	70	46.5	110	14	13	17.0	24.5	42.3	42	9
1/2"	16	75	75	75	70.9	110	21.9	17	22.4	25.2	42.3	42	9
3/4"	20	80	80	90	73.4	110	27.2	22	28.2	27.7	44.8	42	9
1"	24.5	90	90	100	84.1	135	34.0	28	33.7	33.0	54.0	50	11
1"1/4	32	110	110	110	89.3	135	42.7	37	44.0	41.2	59.2	50	11
1"1/2	38	120	120	125	109.5	165	48.8	43	50.8	49.3	73.5	70	14
2"	50	140	140	150	118.9	165	61.3	54	62.6	63.6	82.9	70	14
2"1/2	65	185	185	190	155.0	300	77.0	74	76.1	82.1	107.0	102	17
3"	80	205	205	220	165.0	335	90.0	83	88.9	95.8	117.3	102	17
4"	100	240	240	270	180.0	335	115.5	110	114.3	117.8	132.3	102	17