

**2 PIECES BALL VALVE WITH ISO 5211 MOUNTING PAD**



**Certificate 3.1**

**Size :** DN 1/4" to 3"  
**Ends :** Female BSP  
**Min Temperature :** - 20°C  
**Max Temperature :** + 200°C  
**Max Pressure :** 63 Bars  
**Specifications :** PTFE+FKM gaskets on stem  
PTFE filled with 15% glass seat  
Anti blow-out stem  
Atex  
ISO 5211 mounting pad

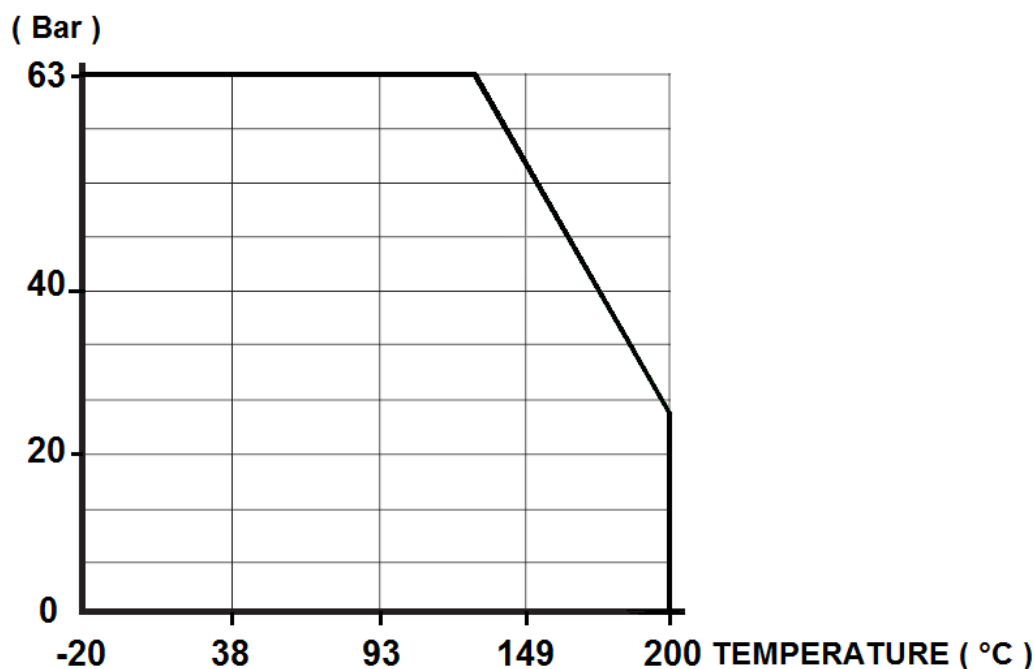
**Materials :** Stainless steel ASTM A351 CF8M

**2 PIECES BALL VALVE WITH ISO 5211 MOUNTING PAD**
**SPECIFICATIONS :**

- Full bore
- Anti blow-out stem
- PTFE filled with 15% glass seat
- Locking handle
- Atex
- PTFE+FKM gaskets on stem
- 2 pieces type
- Solid ball
- ISO 5211 mounting pad

**USE :**

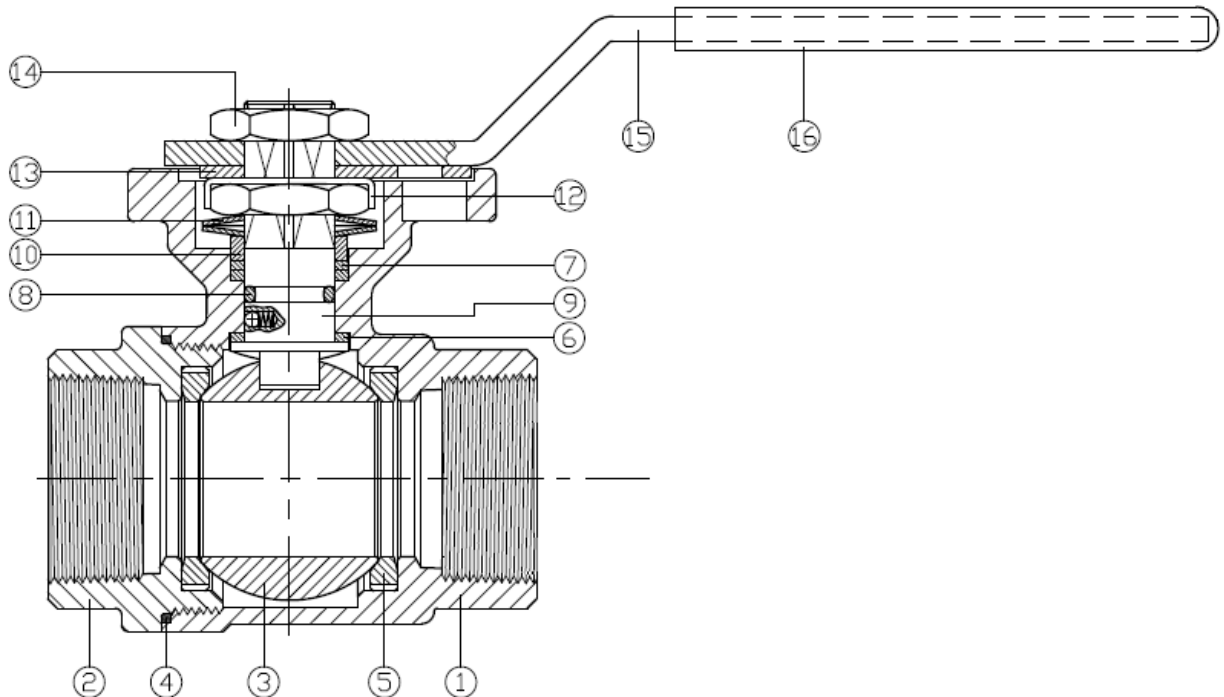
- Chemical and pharmaceutical industries, petrochemical industries, hydraulic installation, compressed air, drinkable water
- Steam : 11 bars maxi
- Min and max Temperatures Ts : -20°C to + 200°C
- Max Pressure Ps : 63 bars ( see graph )

**PRESSURE / TEMPERATURE GRAPH ( STEAM EXCLUDED ) :**
**PRESSURE**

**RANGE :**

- 2 pieces stainless steel ball valve BSP threaded with ISO 5211 mounting pad **Ref. 733** from DN 1/4" to DN 3"

**ENDS :**

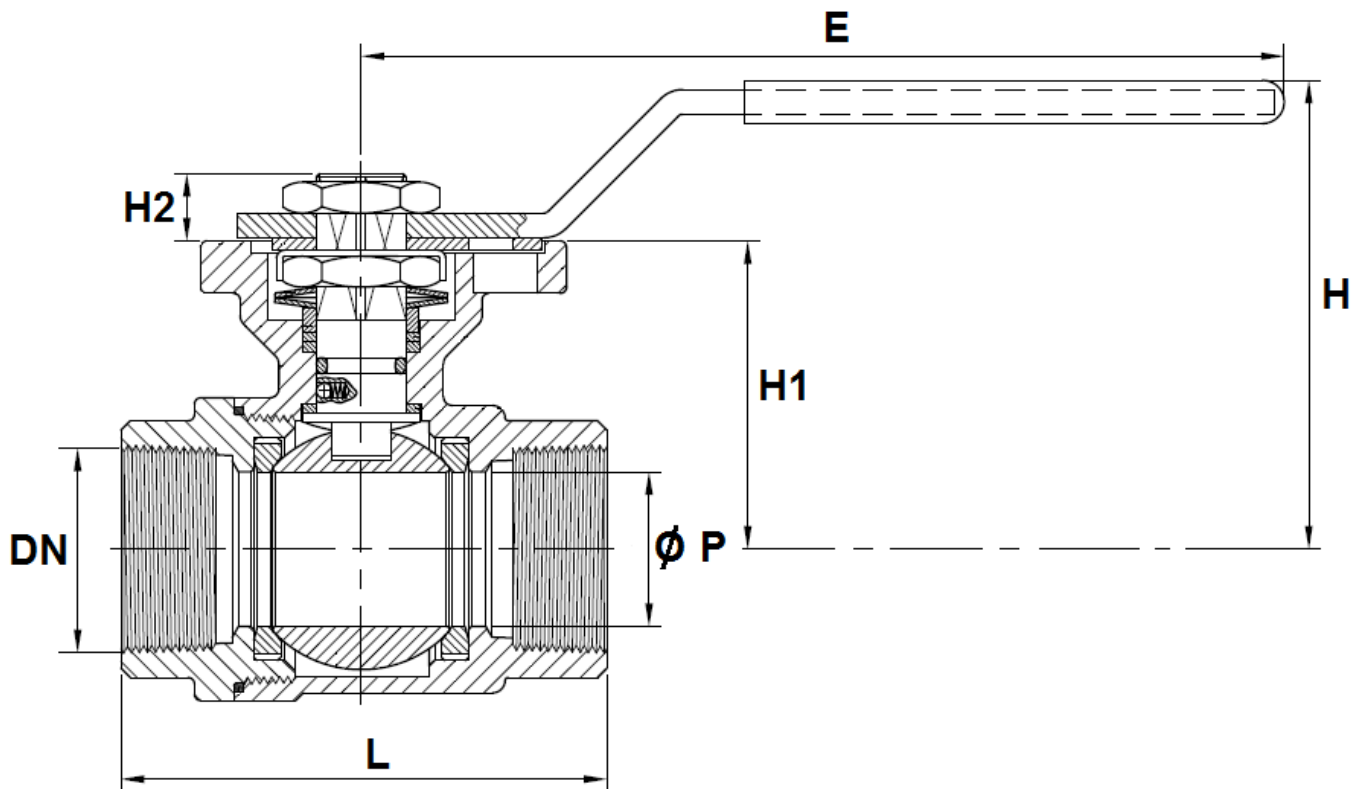
- Female / female cylindrical BSP threaded

**2 PIECES BALL VALVE WITH ISO 5211 MOUNTING PAD**
**MATERIALS :**


Item	Designation	Materials
1	Body	ASTM A351 CF8M
2	Bonnet	ASTM A351 CF8M
3	Ball	ASTM A351 CF8M
4	Body gasket	PTFE
5	Seat	PTFE filled with 15% glass
6	Gasket	PTFE
7	Packing	PTFE
8	O ring	FKM
9	Stem	ASTM A276-316
10	Ring	AISI 304
11	Elastic ring	AISI 301
12	Stop washer	AISI 304
13	Locking device	
14	Stem nut	
15	Handle	PVC
16	Handle cover	

**2 PIECES BALL VALVE WITH ISO 5211 MOUNTING PAD**

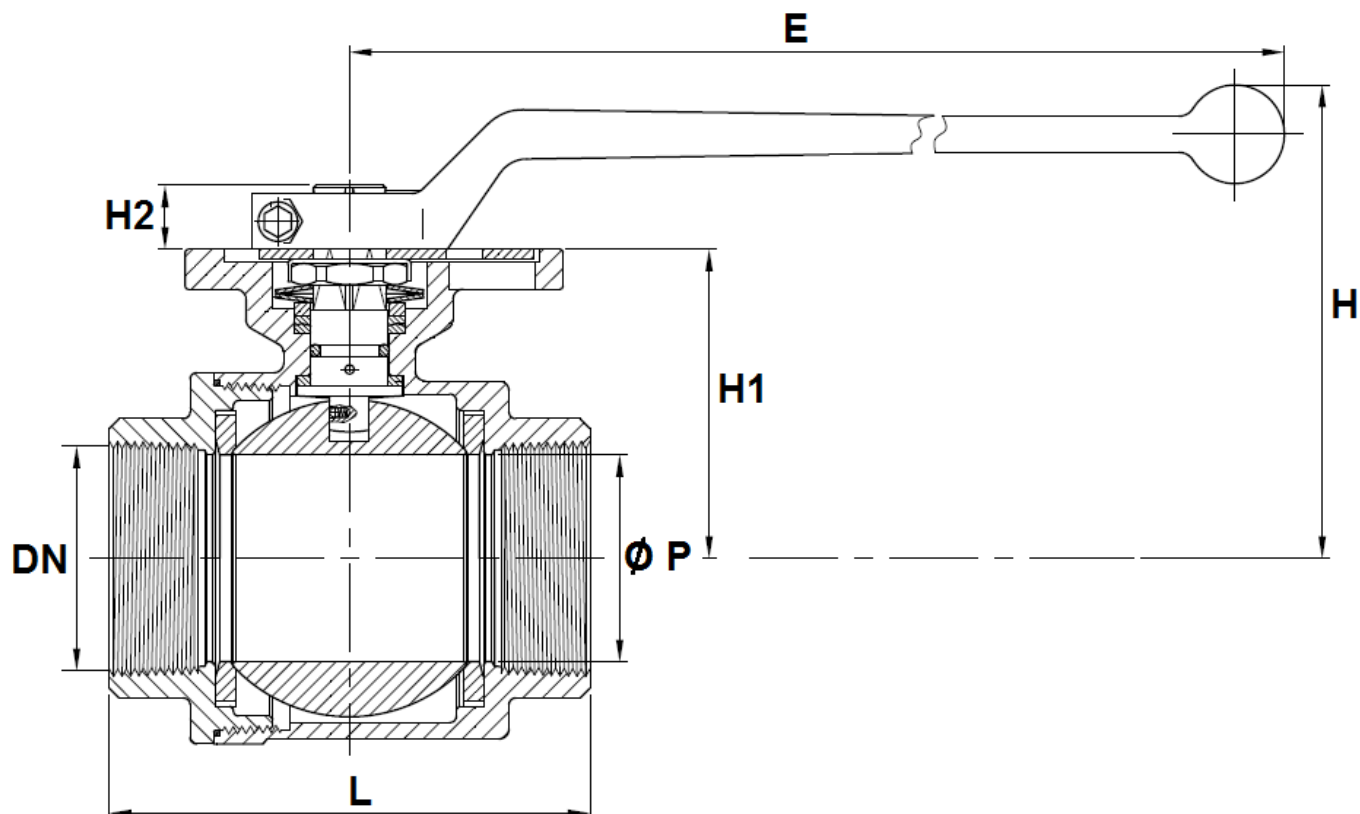
SIZE DN 1/4" – 2" ( in mm ) :



Ref.	DN	1/4"	3/8"	1/2"	3/4"	1"	1 1/4"	1 1/2"	2"
733	Ø P	11.6	12.7	15	20	25	32	38	50
	L	58	58	58	65.6	78.7	90	105	124
	E	113.5	113.5	113.5	113.5	140	140	172	172
	H	62	62	62	65	76	81.5	103	111.5
	H1	36.4	36.4	36.4	39.2	48.7	54.2	65.7	75.5
	H2	8	8	8	9	11	11	11.5	11.5
	Weight ( Kg )	0.4	0.4	0.4	0.5	0.8	1.2	2	2.9

**2 PIECES BALL VALVE WITH ISO 5211 MOUNTING PAD**

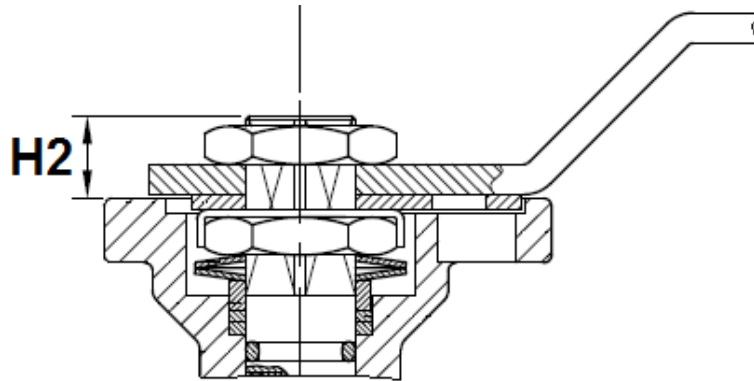
SIZE DN 2"1/2 – 3" ( in mm ) :



Ref.	DN	2"1/2	3"
733	Ø P	63	76
	L	146.2	163.7
	E	325	325
	H	141	150
	H1	91.5	100.75
	H2	20.5	20.5
	Weight ( Kg )	6	7.2

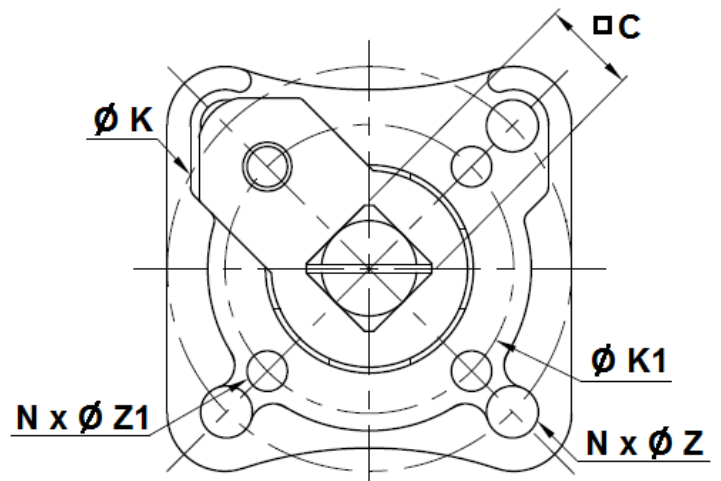
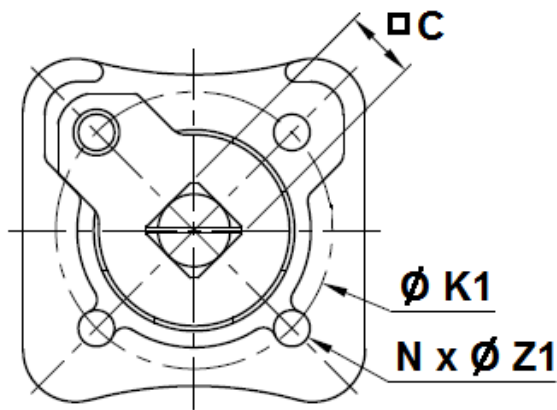
2 PIECES BALL VALVE WITH ISO 5211 MOUNTING PAD

**STEM AND ISO 5211 MOUNTING PAD SIZE ( in mm ):**



**DN 1/4" – 1"1/4**

**DN 1"1/2 - 3"**



Ref.	DN	1/4"	3/8"	1/2"	3/4"	1"	1"1/4"	1"1/2"	2"	2"1/2"	3"
733	H2	8	8	8	9	11	11	11.5	11.5	20.5	20.5
	C	9	9	9	9	11	11	14	14	17	17
	Ø K	-	-	-	-	-	-	70	70	102	102
	ISO	-	-	-	-	-	-	F07	F07	F10	F10
	Ø K1	36	36	36	36	42	42	50	50	70	70
	ISO1	F03	F03	F03	F03	F04	F04	F05	F05	F07	F07
	N x Ø Z	-	-	-	-	-	-	4 x 9	4 x 9	4 x 11	4 x 11
	N x Ø Z1	4 x 5.5	4 x 5.5	4 x 5.5	4 x 5.5	4 x 5.5	4 x 5.5	4 x 7	4 x 7	4 x 9	4 x 9

**2 PIECES BALL VALVE WITH ISO 5211 MOUNTING PAD**
**TORQUE VALUES ( in Nm without safety coefficient ) :**

DN	1/4"	3/8"	1/2"	3/4"	1"	1"1/4	1"1/2	2"	2"1/2	3"
Torque ( Nm )	5.5	5.5	5.5	7.5	11	15	20	40	60	85

**FLOW COEFFICIENT Kvs ( M3 / h ) :**

DN	1/4"	3/8"	1/2"	3/4"	1"	1"1/4	1"1/2	2"	2"1/2	3"
Kvs ( m3/h )	19	23	34	62	98	170	247	427	696	1043

**STANDARDS :**

- Fabrication according to ISO 9001 : 2015
- DIRECTIVE 2014/68/EU : CE N° 0035  
Risk Category III module H
- Certificate 3.1 on request
- Pressure tests according to API 598, table 6
- Female cylindrical BSP threaded ends according to ISO 7/1 Rp
- ATEX Group II Category 2 G/2D Zone 1 & 21 Zone 2 & 22 ( optional marking )
- French water agreement **A.C.S. N° 15 ACC LY 431**

**ADVICE :** Our opinion and our advice are not guaranteed and SFERACO shall not be liable for the consequences of damages.  
The customer must check the right choice of the products with the real service conditions.

**2 PIECES BALL VALVE WITH ISO 5211 MOUNTING PAD****INSTALLATION AND MAINTENANCE****BEFORE INSTALLATION :**

Pipe-line must be cleaned and free from residual of weldings, rubbish, shaving and every kind of extraneous materials.  
Pipe-line must be perfectly aligned and their support properly dimensioned so that there's no external constraint.

Please use the right product according to the services conditions to seal the valve.  
Use the right bolt tightening so that the ends won't be damaged.

**CLEANING AND TESTS**

Keep closed the valves during the cleaning operation so that there's no impurities between the ball and the body.

Tests under pressure must be done with a cleaned pipe-line.

Open partially the valve for tests. Pressure test do not exceed the valve specifications according to API 598.

**MAINTENANCE**

It's recommended to operate the valve twice ( open and close ) 1 to 2 times per year.

When intervention on the valve, be sure there's no pressure in the pipe-line, there's no fluid in it, and that it is isolated.  
The temperature must be low enough to operate without risks.  
If there's a corrosive fluid, inert installation before intervention.

**When the valve is under pressure :**

If there's a leakage at the packing, tighten it slightly so that the leakage disappears.