



BIDIRECTIONAL TIGHTNESS GATE VALVE PN10

Model/Ref: 178



*Partnership.
Without Limits.*

www.lauridsenindustri.com



BIDIRECTIONAL T



Size : DN 50 to DN 500
Between flanges ISO PN10



BIDIRECTIONAL TIGHTNESS GATE VALVE PN10

SPECIFICATIONS :

- Opened or closed valve
- Non rising stem and handwheel
- Bidirectional tightness
- Weak head loss
- Between flanges ISO PN10
- Full crossing threaded lower holes and blind threaded top holes
- With handwheel
- 50% epoxy 50% polyester painting blue colour RAL 5005

USE :

- Water, water treatment, chemical pulp, powders, food industry, chemistry
- Min and max Temperature Ts : - 10°C to + 90°C

MAX PRESSURE :

DN	50	65	80	100	125	150	200	250	300	350	400	450	500
Ps (Bars)	10	10	10	10	10	10	10	8	6	4	4	3	3

RANGE :



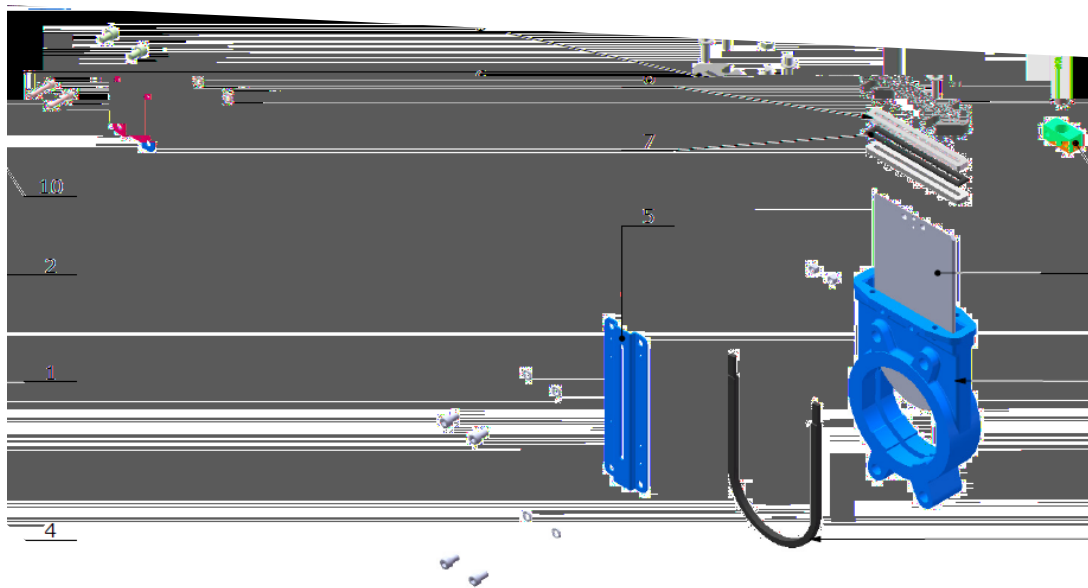
- Between flanges ISO PN10, Cast iron body, SS 304 gate , NBR seat, with handwheel **Ref. 178** from DN 50 to DN 500



- Between flanges ISO PN10 Cast iron body, SS 304 gate , NBR seat, with handwheel, with limit switch for opened position **Ref. 178051 to 170401** from DN 50 to DN 400

BIDIRECTIONAL TIC

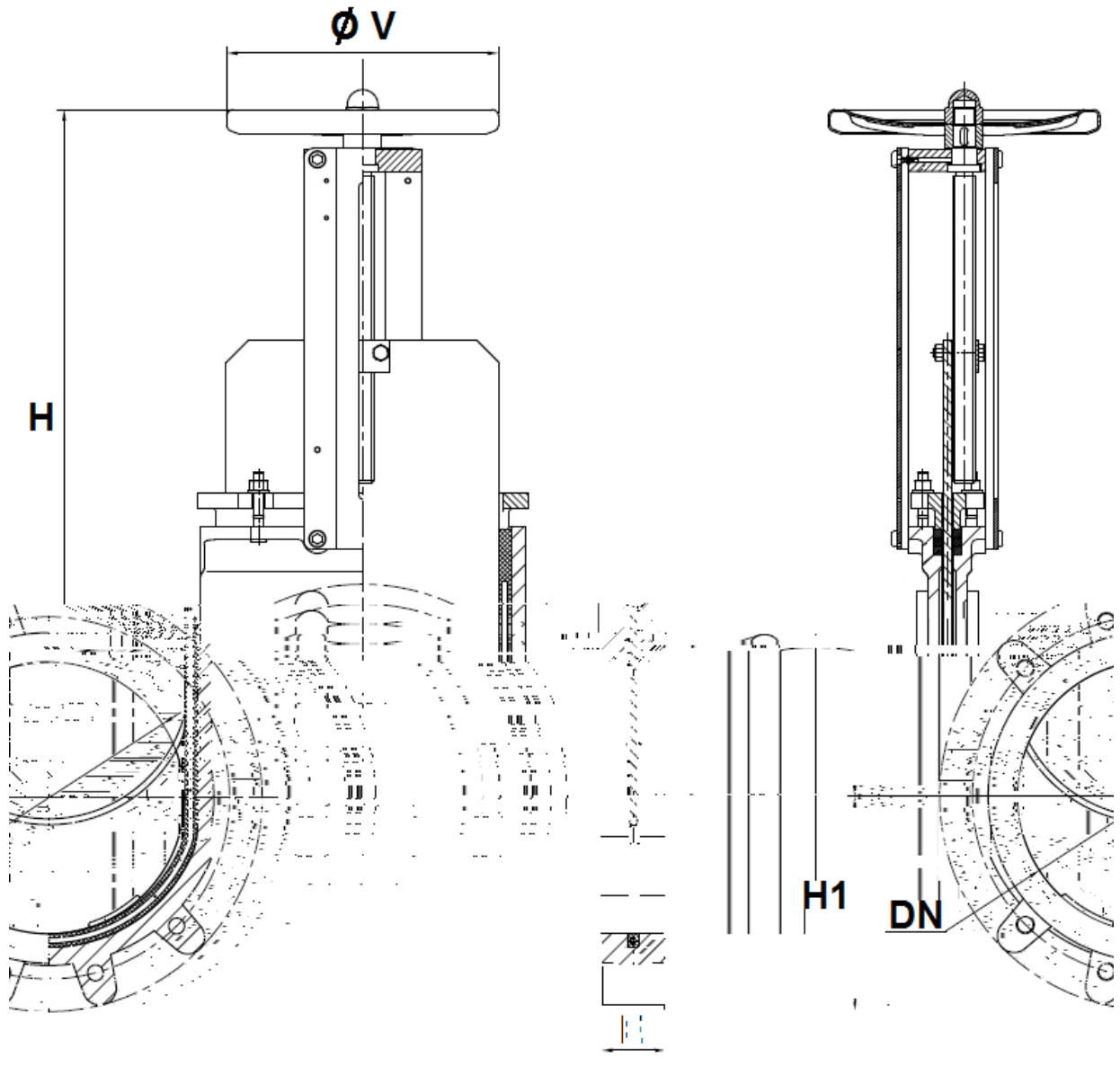
MATERIALS :



Designation	Materials
Body	Cast iron EN GJL-250
Gate	SS 304
Packing gland	Ductile Iron EN GJS-400-15
Seat	NBR
	Painted steel
	PTFE
	NBR
	Steel

BIDIRECTIONAL TIGHTNESS GATE VALVE PN10

SIZE (in mm) :



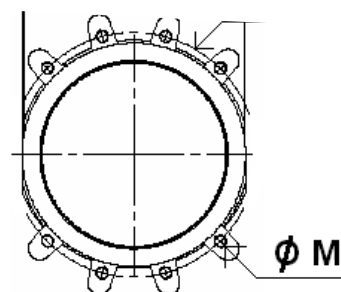
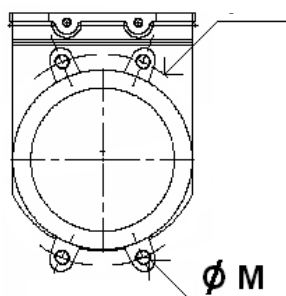
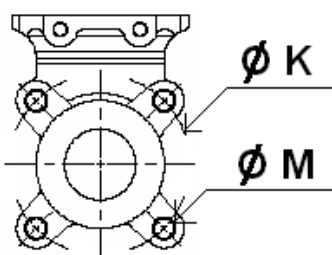
DN	50	65	80	100	125	150	200	250	300	350	400	450	500
E	40	40	50	50	50	60	60	70	70	96	100	106	110
H	286	316	342	382	415	458	575	676	776	906	1012	1098	1210
H1	63	70	92	105	120	130	160	198	234	256	292	308	340
Ø V	200	200	200	200	250	250	300	300	300	500	500	500	500
Weight (Kg)	6.2	6.8	8	9.9	12.7	16.9	25.4	42.7	59	119	144	166	203



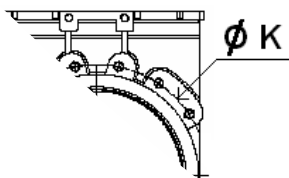
BIDIRECTIONAL

SIZE FIXING VALVE THREADED

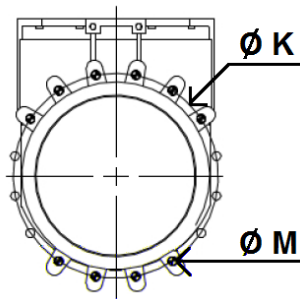
DN 50 – 6"



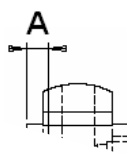
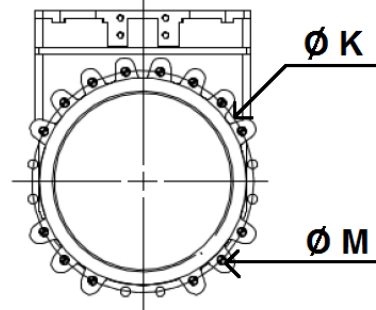
DN 350

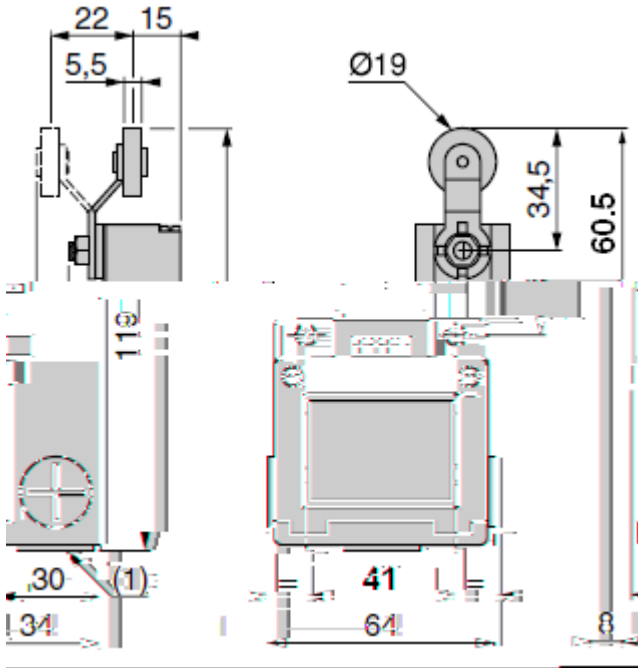


DN 400

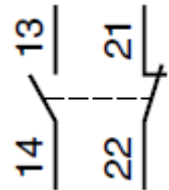


DN 450-500



BIDIRECTIONAL TIGHTNESS GATE VALVE PN10
SENSOR SIZE (in mm) AND SCHEMA :


Bipolar sensor O + C
 (XE2S P2151)


STANDARDS :

- Fabrication according to ISO 9001 : 2008
- DIRECTIVE 97/23/CE : Risk category I Module A
- Test according to ISO 5208, Range A
- Between flanges ISO PN10 according to EN 1092-2 PN10

ADVICE :Our opinion and our advice are not guaranteed and Lauridsen Industri shall not be liable for the consequences of damages.

The customer must check the right choice of the products with the real service conditions.

BIDIRECTIONAL TR

INS

GENERAL GUIDELINES :

- Ensure that the valve is installed in the correct direction of flow, fluid, pressure and temperature.
- Be sure to use the correct tools and equipment.
- Ensure that the valve is properly supported.

basis (at least two times a year).

INSTALLATION INSTRUCTIONS :

- **Before installing the valves, clean and remove any objects from the pipes** (in particular bits of sealing and metal) which could obstruct and block the valves.
- **Ensure that both connecting pipes either side of the valve (upstream and downstream) are aligned** (if they're not, the valves may not work correctly).
- **Make sure that the two sections of the pipe (upstream and downstream) match, the valve unit will not absorb any gaps. Any distortions in the pipes may affect the tightness of the connection, the working of the valve and can even cause a rupture.** To be sure, place the kit in position to ensure the assembling will work.
- **If sections of piping do not have their final support in place, they should be temporarily fixed. This is to avoid unnecessary strain on the valve.**

During installation operation, do not carry the valves by the handwheel.

Valves can be installed in all positions but we recommend the above positions :



BIDIRECTIONAL TIGHTNESS GATE VALVE PN10**INSTALLATION INSTRUCTIONS (SUITE) :**

- If the valve is installed at the end of the pipe, it must be between 2 flanges.
- The knife gate valves are unidirectional, respect the flow direction indicated on the body by the arrow.
When using powders, inverse flow direction
- Tighten the bolts in cross. For blind holes, use studs to have a good tightening and tighten them carefully so that they don't touch the gate.
- During cleaning operation, the valves must be opened.
- Tests must be done with cleaned installation and pipe.
- Test must be done with partially opened valve. Test pressure must not exceed valve specification according to ISO 5208.
- Open carefully the valve.
- Tighten the gland packing at the first start of the installation (with a moderate torque) so that there's no leakage and the handwheel is easy to operate. Make sure there's no contact between the gate and the gland.
- Keep greased the stem.
- It's recommended to operate the valve (open and close) 1 time per month