



**ANGLE SEATED VALVE HF FULL  
STAINLESS STEEL**

Model/Ref: 1430304



*Partnership.  
Without Limits.*

[www.lauridsenindustri.dk](http://www.lauridsenindustri.dk)

ANGLE SEATED VALVE HF FULL STAINLESS STEEL

**MAIN CHARACTERISTICS**

The full stainless steel HF valve is dedicated to the automatically shut off of pipes for all kinds of industrial fluids. The Y pattern body allows very low pressure loss in the valve. The stainless steel construction of the body, and the internal parts make the HF valve adapted for use on a lot of kinds of fluids with pressure up to 16 bar and temperatures up to 180°C. The head of the actuator in stainless steel is adjustable in any direction and makes the HF adapted for service in corrosive and/or in hygienic areas, especially in food and drug industries.

**AVAILABLE ITEMS**

½" to 2" threaded connections normally closed (NC) Inlet above the disc  
 ½" to 2" threaded connections normally closed (NC) Inlet under the disc

**LIMITS OF USE**

Fluid PS	16 bar
Fluids TS	-10°C / +180°C
Air supply pressure	10 bar max.



**CLASSIFICATION ACCORDING TO 97/23/EC PRESSURE EQUIPMENT DIRECTIVE**

A3§3 – Use forbidden for gases of group I.

**1 – NORMALLY CLOSED INLET ABOVE THE DISC**

DN	Ø Head	Kv (m3/h)	ΔP (bar)	Min. air pressure (bar)
½"	50	4.7	0-16	3
¾"	50	9.5	0-16	3 – 4
1"	50	18.1	0-16	3 – 5.5
1"1/4	63	23.1	0-16	3 – 5
1"1/2	63	32.9	0-16	3 – 6.5
2"	80	52.8	0-16	3 – 6.6

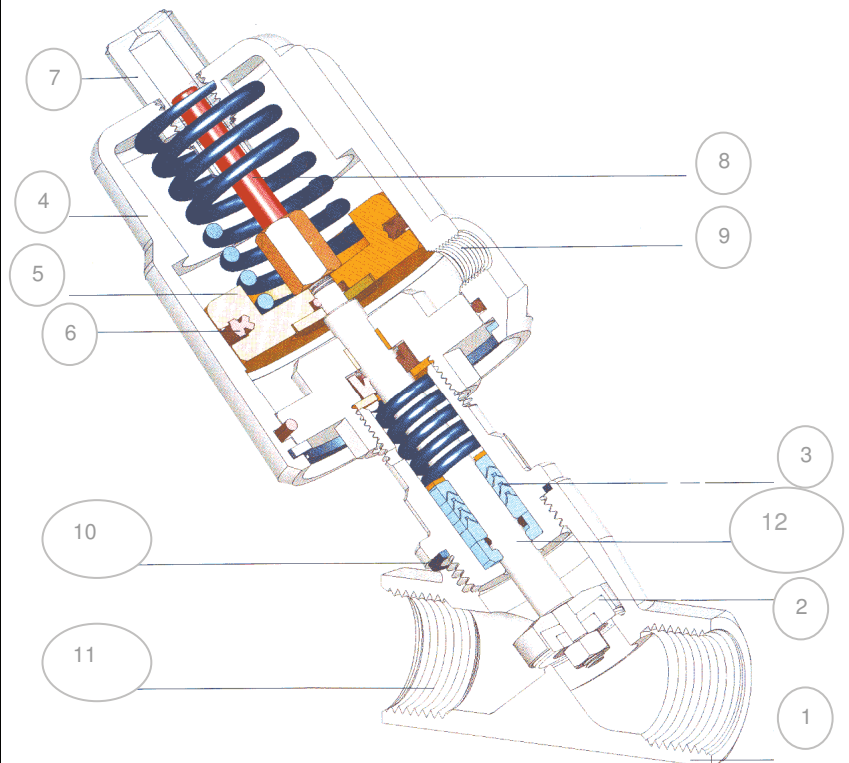
Technical data given for information purpose only. May be subject to alteration without prior notice

**ANGLE SEATED VALVE HF FULL STAINLESS STEEL**
**2 – NORMALLY CLOSED INLET UNDER THE DISC**

DN	Ø Head	Kv (m3/h)	ΔP (bar)	Min. air pressure (bar)
½"	50	4.7	0-16	4.5
¾"	50	9.5	0-12	4.5
1"	63	18.1	0-10	4.5
1"1/4	63	23.1	0-6	4.5
1"1/2	80	32.9	0-10	4
2"	80	52.8	0-6	4

**CONSTRUCTION**

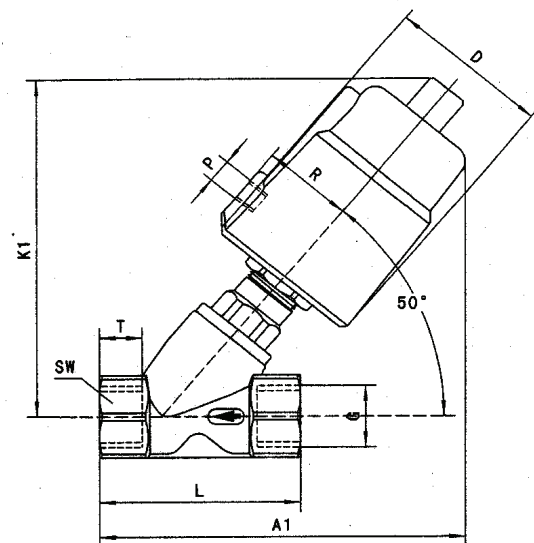
Rep.	Item	Material
1	Body	Stainless steel F316
2	Disc	Stainless steel F316 + PTFE
3	Packing	PTFE
4	Actuator	Stainless steel F304
5	Piston	Brass
6	Ring gasket	NBR
7	Indicator	Polycarbonate
8	Indicator stem	Polymere
9	Connection	BSP 1/8" or BSP ¼"
10	Body gasket	PTFE
11	Connection	BSP threaded
12	Spring	Steel



Technical data given for information purpose only. May be subject to alteration without prior notice

**ANGLE SEATED VALVE HF FULL STAINLESS STEEL**
**DIMENSIONS (mm)**

DN	∅ head	D	R	P	K1	A1	L	T
½"	50	62	34	G 1/8"	128	131	68	13.5
¾"	50	62	34	G 1/8"	131	134	75	16
1"	50	62	34	G 1/8"	139	146	90	17
1"	63	77	41.5	G 1/8"	163	170	90	17
1"1/4	63	77	41.5	G 1/8"	161	161	112	18
1"1/2	63	77	41.5	G 1/8"	169	169	126	18
1"1/2	80	98	52	G 1/4"	185	185	126	18
2"	80	98	52	G1/4"	195	241	146	22


**MOUNTING AND MAINTAINING**

- Before installation, shut off the line using upstream and downstream valves.
- Remove the pressure inside and drain the pipe.
- If the pipe is warm, wait the complete cooling to room temperature.
- Wear protections equipments adapted to this kind of operation (gloves and glasses).
- Install the valve on the pipe, taking into account the direction of the arrow stamped on the body of the valves.
- Connect the feeding's air tube on the ¼" connection of the head.
- Check the right operating of the valve by using the red indicator on the head (item 7).
- The HF valves do not need any particular maintaining.
- In case of in-line leakage, verify the state of the disc (item 2) and the air pressure feeding.
- In case of leakage at the packing, verify the state of the packing's ring (item 3).
- In case of loss of power of the head, verify the state of the ring gasket (item 6).

Technical data given for information purpose only. May be subject to alteration without prior notice