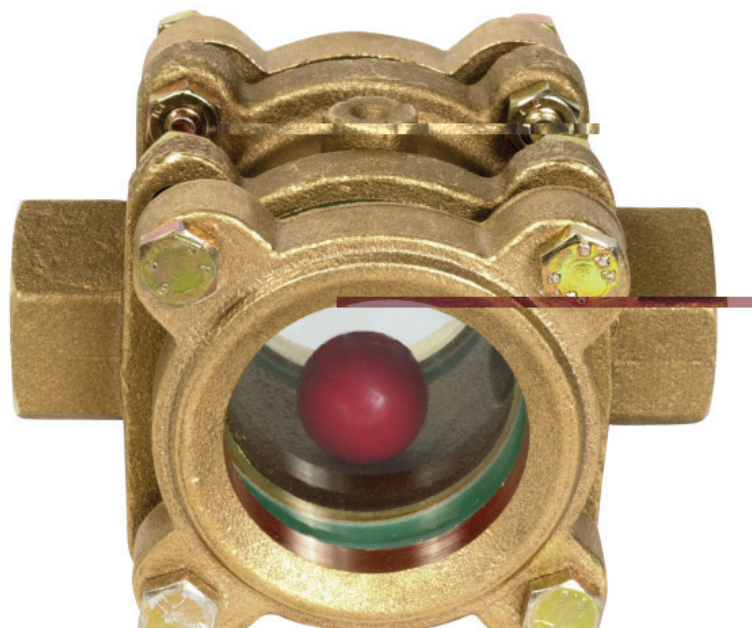




BRASS SIGHT GLASS C161

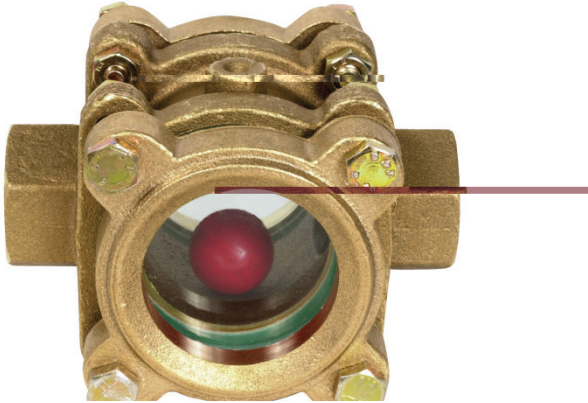
Model/Ref: 221504



*Partnership.
Without Limits.*

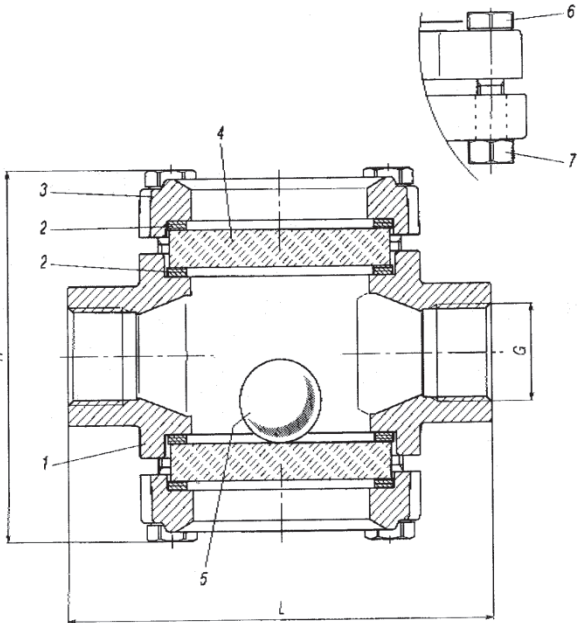
BRASS SIGHT GLASS C161

Built in brass, the C 161 sight glass is dedicated to the visual control and inspection of transparent fluids flow in pipes. It is particularly adapted to low pressure and standard temperature applications. The C161 has double glasses and a ball. Do not use this sight glass on vertical piping.



DN15 to DN50
 BSP threaded connections

	16 bar
	+ 5°C / + 80°C
	+ 5°C / + 120°C



L	95	100	107	126	137	170
H	80	90	92	112	118	140

1	Body	1	Brass CW 617 N	Bronze CC 491 K
2	Glass gasket	4	Fiber	
3	Cover	2	Laiton CW 617 N	
4	Glass	2	Tempered glass	
5	Ball	1	Moplen (option PTFE)	
6	Screw	8	Nickel carbon steel	
7	Nut	8	Nickel carbon steel	

Technical data given for information purpose only. May be subject to alteration without prior notice

BRASS SIGHT GLASS C161

97/23/EC Pressure Equipment Directive	DN 15 and 20 : excluded	Bronze and Brass alloy	EN 1503-4
	DN 25 to 50 : category II CE1115	Sizing	EN 12516-4
BSP threaded connections	ISO 228	Final testing	EN 12266

- Before installation or maintaining, shut off the line using upstream and downstream valves.
 - Remove the pressure inside and drain the pipe.
 - If the pipe is warm, wait the complete cooling to room temperature.
 - Wear protections equipments adapted to this kind of operation (gloves and glasses).
-
- Install the sight glass by screwing the connections on the pipes ends and using an appropriate gasket. It has to be visible by the operators.
-
- Remove the cover and remove the glass.
 - Clean the glass and the inner parts of the body.
 - Verify the state of the glass and check any starting of chemical corrosion or mechanical erosion. Replace it if necessary.

½ "	49,3	9,8	981011	981008
¾ " - 1"	55,5	9,8	981012	981009
1" ¼ - 1" ½	66,5	11,8	981013	981009
2"	79,2	14,7	981014	981009

PTFE ball for a working temperature > +80°C

½ "	981006
¾ " - 1"	981007
1" ¼ - 1" ½	981007
2"	981007

Technical data given for information purpose only. May be subject to alteration without prior notice