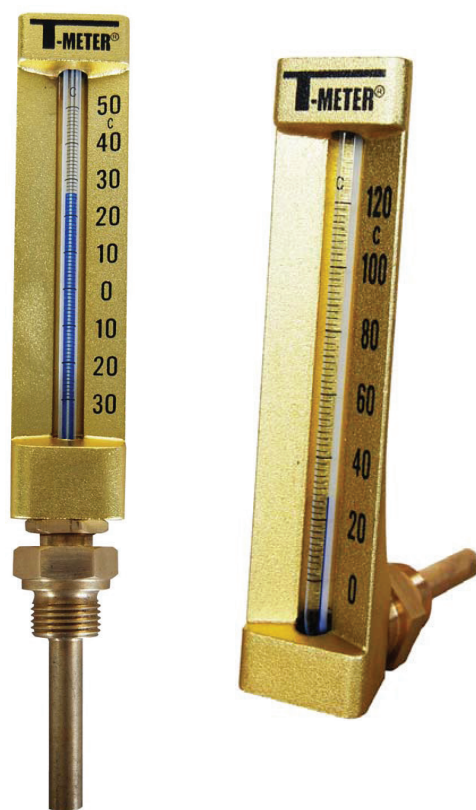




VERTICAL INDUSTRIAL THERMOMETER

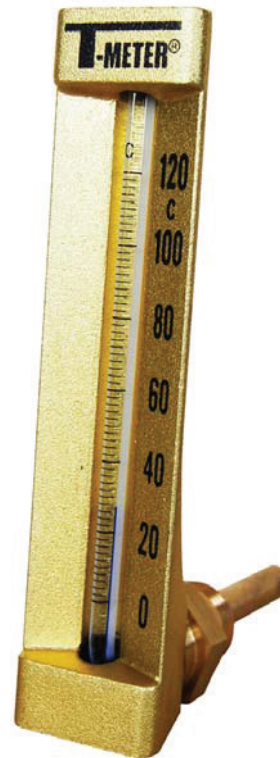
Model/Ref: 1670001



*Partnership.
Without Limits.*

www.lauridsenindustri.com

VERTICAL INDUSTRIAL THERMOMETER



- Size :** Height 150 to 200
Ends : Male 1/2" BSP
Min Temperature : - 30°C
Max Temperature : + 300°C
Max Pressure : 16 Bars
Specifications : Aluminium body
Easy reading thanks to prismatic glass tube form
Brass fitting
Engraving graduated glass

Materials : Aluminium body

Technical data given for information purpose only. May be subject to alteration without prior notice

VERTICAL INDUSTRIAL THERMOMETER

-
- Aluminium body
 - Easy reading thanks to prismatic glass tube form
 - Brass fitting
 - Engraving graduated glass
 - Plunger Ø 10 mm
 - Threaded male 1/2" BSP
 - Accuracy class 2.5%

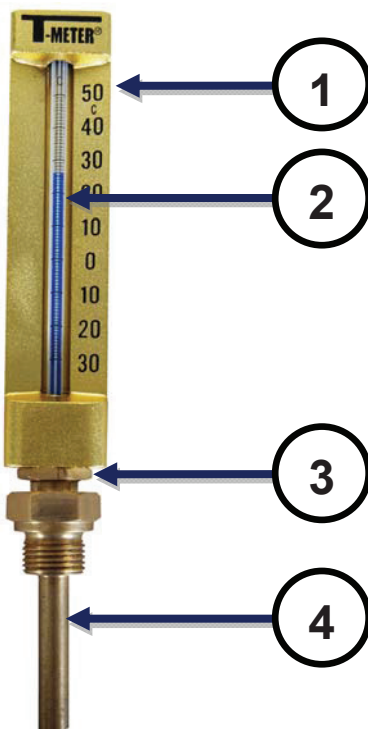
-
- Not for viscous or crystallizing liquid
 - Min and max Temperature Ts :- 30°C to + 300°C
 - Max Pressure PN : 16 bars

-
- Bottom connection 150 mm height with 63 mm plunger, graduation from 0 to + 120°C **Ref. 1670001**
 - Bottom connection 150 mm height with 63 mm plunger, graduation from -30 to + 50°C **Ref. 1670002**
 - Bottom connection 200 mm height with 63 mm plunger, graduation from 0 to + 120°C **Ref. 1671001**
 - Bottom connection 200 mm height with 63 mm plunger, graduation from -30 to + 50°C **Ref. 1671002**
 - Bottom connection 200 mm height with 63 mm plunger, graduation from 0 to + 200°C **Ref. 1671003**
 - Bottom connection 200 mm height with 63 mm plunger, graduation from 0 to + 300°C **Ref. 1671004**
 - Bottom connection 150 mm height with 100 mm plunger, graduation from 0 to + 120°C **Ref. 1672001**
 - Bottom connection 150 mm height with 100 mm plunger, graduation from -30 to + 50°C **Ref. 1672002**
 - Bottom connection 200 mm height with 100 mm plunger, graduation from 0 to + 120°C **Ref. 1673001**
 - Bottom connection 200 mm height with 100 mm plunger, graduation from -30 to + 50°C **Ref. 1673002**
 - Bottom connection 200 mm height with 100 mm plunger, graduation from 0 to + 200°C **Ref. 1673003**
 - Bottom connection 200 mm height with 100 mm plunger, graduation from 0 to + 300°C **Ref. 1673004**
 - Angle connection 150 mm height with 63 mm plunger, graduation from 0 to + 120°C **Ref. 1675001**
 - Angle connection 150 mm height with 63 mm plunger, graduation from -30 to + 50°C **Ref. 1675002**
 - Angle connection 200 mm height with 63 mm plunger, graduation from 0 to + 120°C **Ref. 1676001**
 - Angle connection 200 mm height with 63 mm plunger, graduation from -30 to + 50°C **Ref. 1676002**
 - Angle connection 200 mm height with 63 mm plunger, graduation from 0 to + 200°C **Ref. 1676003**
 - Angle connection 200 mm height with 63 mm plunger, graduation from 0 to + 300°C **Ref. 1676004**
 - Angle connection 150 mm height with 100 mm plunger, graduation from 0 to + 120°C **Ref. 1677001**
 - Angle connection 150 mm height with 100 mm plunger, graduation from -30 to + 50°C **Ref. 1677002**
 - Angle connection 200 mm height with 100 mm plunger, graduation from 0 to + 120°C **Ref. 1678001**
 - Angle connection 200 mm height with 100 mm plunger, graduation from -30 to + 50°C **Ref. 1678002**
 - Angle connection 200 mm height with 100 mm plunger, graduation from 0 to + 200°C **Ref. 1678003**
 - Angle connection 200 mm height with 100 mm plunger, graduation from 0 to + 300°C **Ref. 1678004**

Technical data given for information purpose only. May be subject to alteration without prior notice

VERTICAL INDUSTRIAL THERMOMETER


- Brass glove finger 1/2" BSP threaded
 - For plunger 63 mm Ref. 9880220
 - For plunger 100 mm Ref. 9880221



Item	DESIGNATION	MATERIALS
1	Body	Aluminium
2	Glass tube	Prismatic glass
3	Fitting	Brass
4	Plunger	Brass (up to 200°C)
4	Plunger	SS 304 (up to 300°C)*

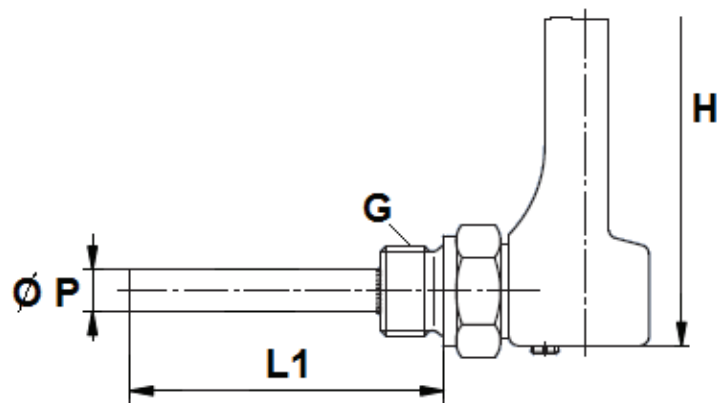
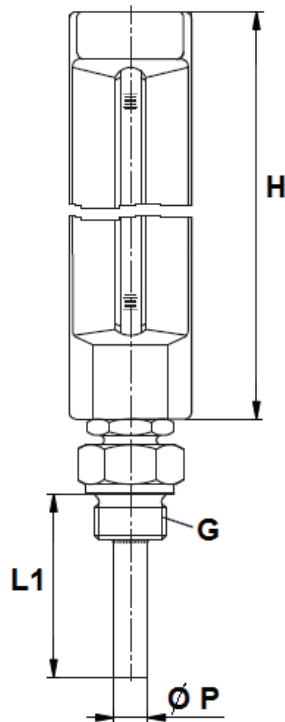
* Ref. 1671004, 1673004, 1676004 et 1678004

Technical data given for information purpose only. May be subject to alteration without prior notice

VERTICAL INDUSTRIAL THERMOMETER

Ref. 1670-1671-1672-1673

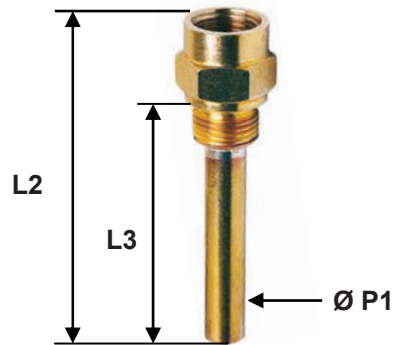
Ref. 1675-1676-1677-1678



Ref.	1670	1671	1672	1673	1675	1676	1677	1678
H	150	200	150	200	150	200	150	200
L1	63	63	100	100	63	63	100	100
G	1/2"	1/2"	1/2"	1/2"	1/2"	1/2"	1/2"	1/2"
Ø P	10	10	10	10	10	10	10	10
Weight (kg)	0.260	0.310	0.280	0.330	0.260	0.310	0.280	0.330

Technical data given for information purpose only. May be subject to alteration without prior notice

VERTICAL INDUSTRIAL THERMOMETER



Ref.	9880220	9880221
L2	75	110
L3	50	86
Ø P1	14	14
Weight (Kg)	0.130	0.135

- Fabrication according to **ISO 9001 : 2008**
- Designing according to **DIN 16189 et DIN 16190**
- **DIRECTIVE 97/23/CE** : Products excluded from directive (article 3, § 3)

ADVICE : Our opinion and our advice are not guaranteed and SFERACO shall not be liable for the consequences of damages. The customer must check the right choice of the products with the real service conditions.

Technical data given for information purpose only. May be subject to alteration without prior notice