



**ABS PRESSURE GAUGE WITH
DRY DIAL Ø 80**

Model/Ref: 1644



*Partnership.
Without Limits.*

www.lauridsenindustri.com

ABS PRESSURE GAUGE WITH DRY DIAL Ø 80



Size : Diameter 80
Ends : Male BSP
Min Temperature : + 0°C
Max Temperature : + 60°C
Pressure : From 0 to 40 Bars
Specifications : ABS box
Brass mechanism
Dry dial
Plexiglas glass

Materials : ABS box

ABS PRESSURE GAUGE WITH DRY DIAL Ø 80**SPECIFICATIONS :**

- ABS box
- Brass mechanism
- Dry dial
- Plexiglas glass
- 1,6 class
- Protection IP 31
- Bottom connection BSP threaded
- Bar / Psi graduation

USE :

- Not for viscous or crystallizing liquid
- Min and max Temperature Ts : 0°C to +60°C

RANGE :

- ABS pressure gauge with dry dial Ø 80 with bottom BSP 1/2" male connection, range 0/+4 to 0/40 bars **Ref. 1644**

ACCESSORIES :

- Copper curl PN25 Male / Female BSP
 - DN 1/2" **Ref. 9880204**



- SS curl PN20 Male / Female BSP
 - DN 1/2" **Ref. 9880208**



- Carbon steel curl PN25 Male / Male BSP
 - DN 1/2" **Ref. 9880201**

ABS PRESSURE GAUGE WITH DRY DIAL Ø 80
GRADUATIONS :

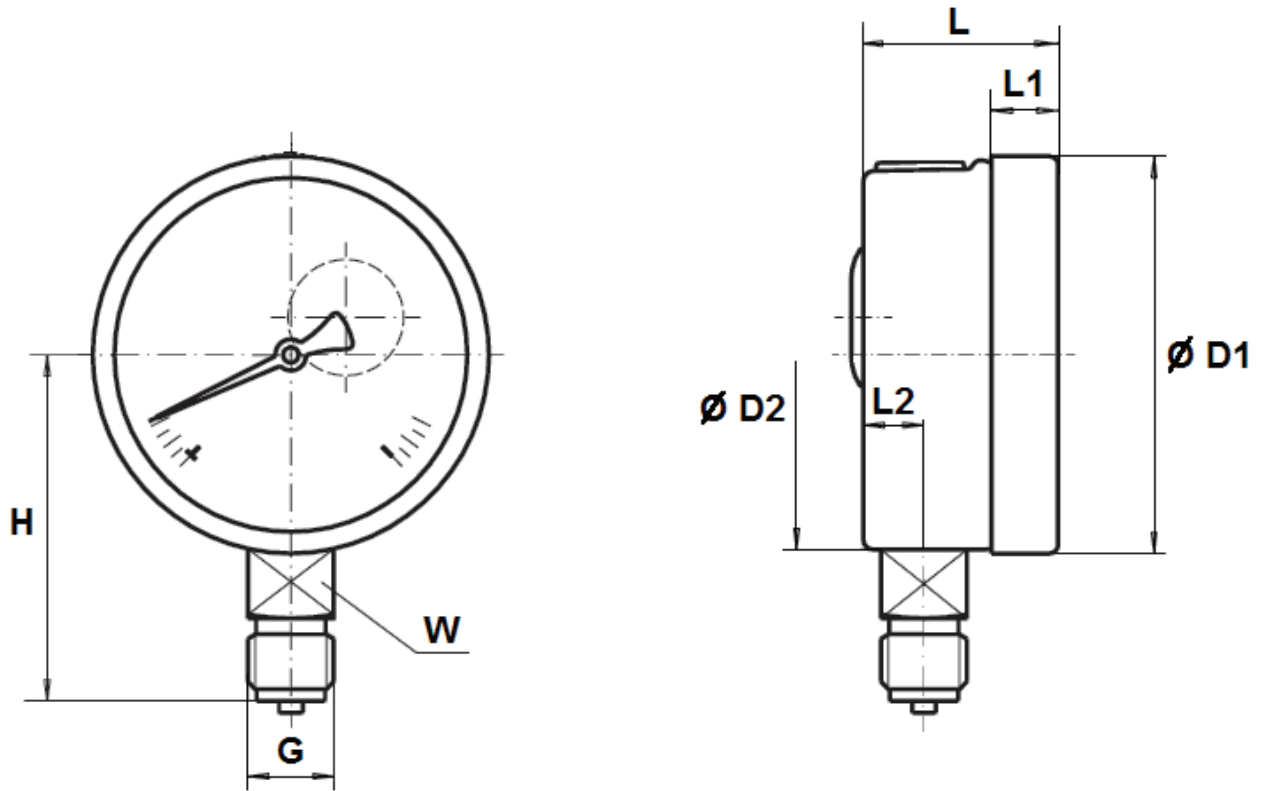
Ref. 1644 (Ø 80)			
Range (bar)	Graduation (bar)	Range (psi)	Graduation (psi)
0 / 4	0,1	0/60	1
0 / 6	0,1	0/90	2
0 / 10	0,2	0/150	2
0 / 16	0,2	0/230	5
0 / 25	0,5	0/350	5
0 / 40	1	0/600	10

MATERIALS :

DESIGNATION	MATERIALS
Box	ABS
Fitting	Brass
Mechanism	Brass
Dial	Aluminium
Glass	Plexiglass
Needle	Aluminium

ABS PRESSURE GAUGE WITH DRY DIAL Ø 80

SIZE (in mm) :



DN	80
Ø D1	79.3
Ø D2	39.4
H	70.5
G	1/2" BSP
L	32.7
L1	3.5
L2	12.3
W	22
Weight (Kg)	0.200

ABS PRESSURE GAUGE WITH DRY DIAL Ø 80**STANDARDS :**

- Fabrication according to ISO 9001 : 2008
- Designing according to EN 837-1
- DIRECTIVE 97/23/CE : Products excluded from directive (article 3, § 3)
- Threaded male BSP cylindrical ends according to ISO 228-1