



**GAS PRESSURE GAUGE WITH  
STAINLESS STEEL BOX**

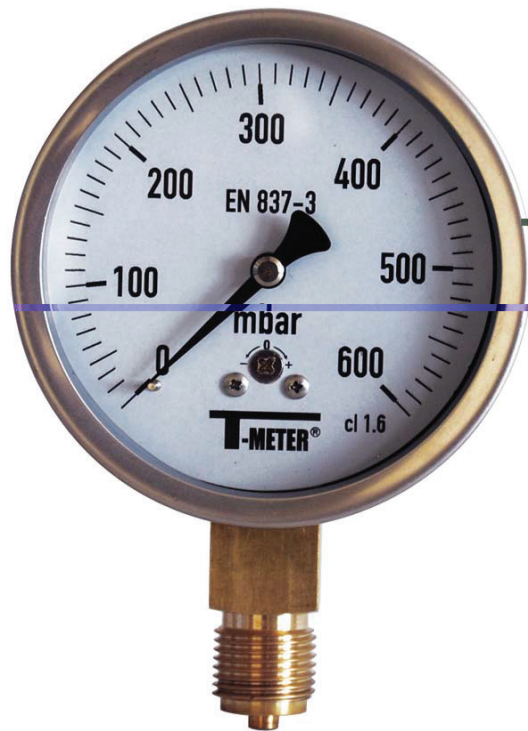
Model/Ref: 1633-1635



*Partnership.  
Without Limits.*

[www.lauridsenindustri.com](http://www.lauridsenindustri.com)

## GAS PRESSURE GAUGE WITH STAINLESS STEEL BOX



**Size :** Diameter 63 and 100  
**Ends :** Male BSP  
**Min Température :** + 0°C  
**Max Temperature :** + 60°C  
**Pressure :** From 0 to 600 mbars  
**Specifications :** Dry stainless steel dial  
With cap for gas  
Brass fitting  
Millibars graduations

**Materials :** Stainless steel box

Technical data given for information purpose only. May be subject to alteration without prior notice

**GAS PRESSURE GAUGE WITH STAINLESS STEEL BOX**
**SPECIFICATIONS :**

- Stainless steel box
- Brass fitting
- With cap for gas
- Millibars graduations
- Dry dial
- 1.6 Class for diameter 100
- 2.5 Class for diameter 63
- Protection IP31
- BSP threaded

**USE :**

- For gas
- Medical, environment, laboratories
- Min and max Temperature Ts : 0°C to +60°C

**RANGE :**

- Dry dial gas pressure gauge Ø 63 with male bottom connection 1/4" threaded , range from 0/60 to 0/600 mbars **Ref. 1633**
- Dry dial gas pressure gauge Ø 100 with male bottom connection 1/2" threaded , range from 0/60 to 0/600 mbars **Ref. 1635**

**ACCESSORIES :**


- Stainless steel flange with 3 holes at 120°
  - Ø 100 **Ref. 9880112**



- Steel support with screws
  - Ø 100 **Ref. 9880012**



- Copper curl PN25 Male / Female BSP
  - DN 1/4" **Ref. 9880202**
  - DN 1/2" **Ref. 9880204**



- Stainless steel curl PN20 Male / Female BSP
  - DN 1/4" **Ref. 9880207**
  - DN 1/2" **Ref. 9880208**



- Steel curl PN25 Male / Male BSP
  - DN 1/4" **Ref. 9880200**
  - DN 1/2" **Ref. 9880201**



- Push open valves Female / Female BSP PN4
  - DN 1/4" **Ref. 9880302**
  - DN 1/2" **Ref. 9880304**

Technical data given for information purpose only. May be subject to alteration without prior notice

**GAS PRESSURE GAUGE WITH STAINLESS STEEL BOX**
**GRADUATIONS :**

	Ref.1633	Ref.1635
Range (mbar)	Graduation (mbar)	Graduation (mbar)
0 / 60	2	1
0 / 100	5	2
0 / 250	10	5
0 / 400	10	10
0 / 600	20	10

**MATERIALS :**

DESIGNATION	MATERIALS
Box	Stainless steel
Fitting	Brass
Mechanism	Brass
Dial	Duralumin
Gasket	NBR
Glass Ø63	Acrylic
Glass Ø100	Polycarbonate
Needle	Duralumin

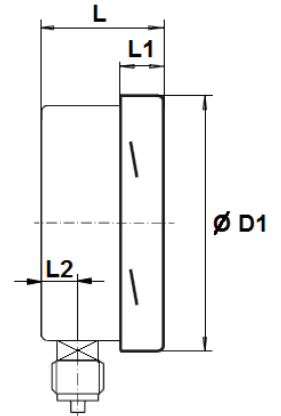
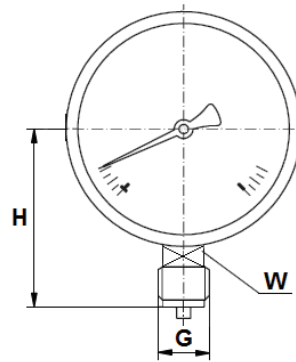
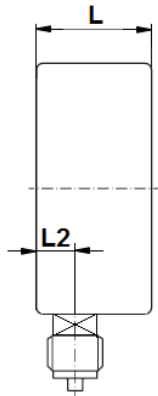
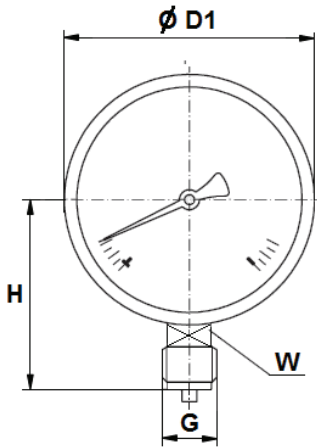
Technical data given for information purpose only. May be subject to alteration without prior notice

**GAS PRESSURE GAUGE WITH STAINLESS STEEL BOX**

SIZE( in mm ) :

Ref. 1633

Ref. 1635



	Ø 63 ( Ref. 1633 )	Ø 100 ( Ref.1635 )
L	46.7	48.2
L2	9	17.9
Ø D1	65	101
L1	3	14.3
G	1/4	1/2
H	54	88
W	14	22
Weight ( kg )	0.190	0.480

Technical data given for information purpose only. May be subject to alteration without prior notice

**GAS PRESSURE GAUGE WITH STAINLESS STEEL BOX****STANDARDS :**

- Fabrication according to ISO 9001 : 2008
- Designing according to EN 837-3
- DIRECTIVE 97/23/CE : Products excluded from directive ( article 3, § 3 )
- Threaded male BSP cylindrical ends according to ISO 228-1

Technical data given for information purpose only. May be subject to alteration without prior notice