



**STAINLESS STEEL PRESSURE GAUGE  
WITH DRY DIAL Ø 63**

Model/Ref: 1616-1626



*Partnership.  
Without Limits.*

[www.lauridsenindustri.com](http://www.lauridsenindustri.com)

STAINLESS STEEL PRESSURE GAUGE WITH DRY DIAL Ø 63



**Size :** Diameter 63  
**Ends :** Male BSP  
**Min Temperature :** + 0°C ( Ambience -20°C )  
**Max Temperature :** + 100°C ( Ambience +60°C )  
**Pressure :** From -1 to 60 Bars  
**Specifications :** All Stainless steel  
Stainless steel mechanism  
Dry dial ( to be fitted in )  
Safety glass

**Materials :** SS 304 box

**STAINLESS STEEL PRESSURE GAUGE WITH DRY DIAL Ø 63****SPECIFICATIONS :**

- All stainless steel
- Stainless steel mechanism
- Dry dial ( to be fitted in )
- Safety glass
- 1,6 class
- Protection IP65
- Bottom connection BSP threaded

**USE :**

- Not for viscous or crystallizing liquid
- Min and max Temperature Ts : 0°C to +100°C ( ambience -20°C à + 60°C )

**RANGE :**

- All stainless steel pressure gauge with dry dial Ø 63 with bottom BSP 1/4" male connection, range -1/+1 to 0/60 bars **Ref. 1616**
- All stainless steel pressure gauge with dry dial Ø 63 with back BSP 1/4" male connection, range -1/+1 to 0/60 bars **Ref. 1626**

**ACCESSORIES :**

- Stainless steel flange with 3 holes at 120° for bottom connection  
Ø 63 **Ref. 9880110**



- Stainless steel flange with 3 holes at 120° for back connection  
Ø 63 **Ref. 9880111**



- Steel support with screws  
Ø 63 **Ref. 9880010**



- SS curl PN20 Male / Female BSP  
DN 1/4" **Ref. 9880207**



- 250 ml glycerine bottle **Ref. 9880401**

**STAINLESS STEEL PRESSURE GAUGE WITH DRY DIAL Ø 63****GRADUATIONS :**

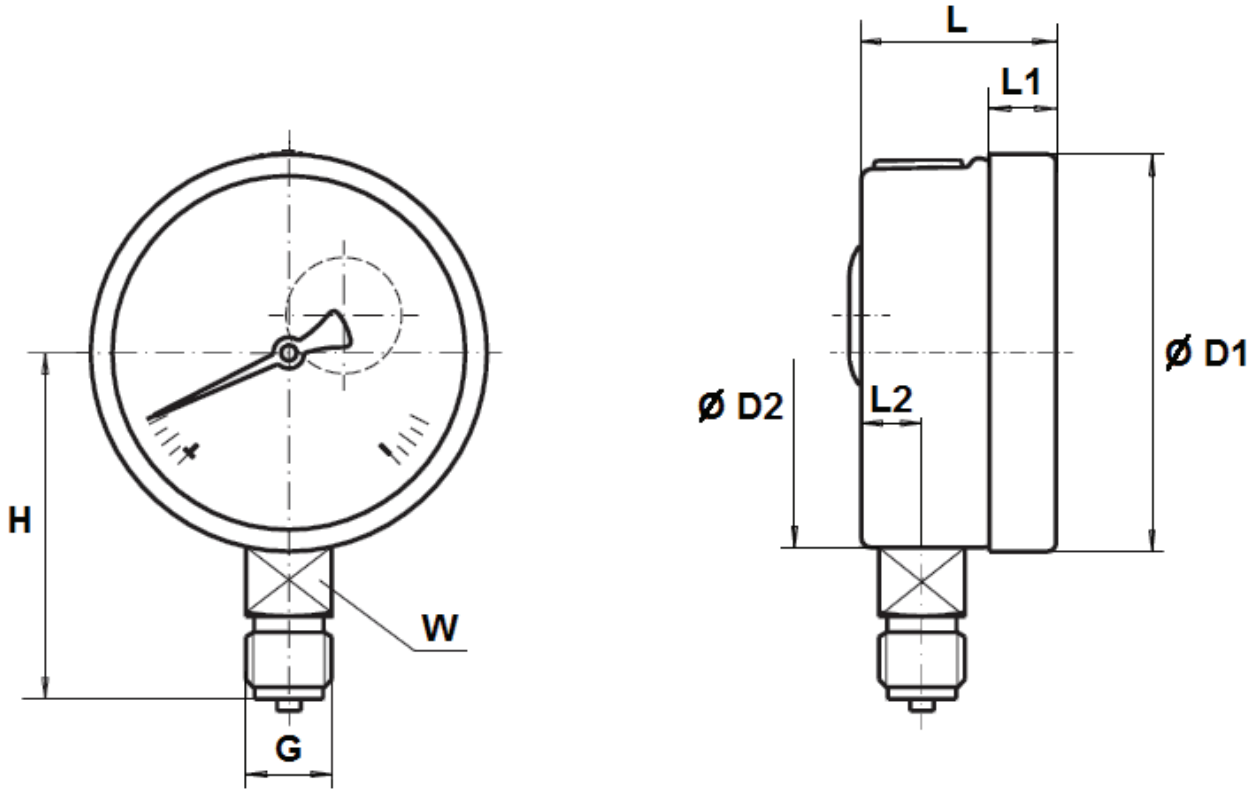
Range (bar)	Graduation (bar)
-1 / +1	0,05
0 / 1,6	0,02
0 / 2,5	0,05
0 / 4	0,1
0 / 6	0,1
0 / 10	0,2
0 / 16	0,2
0 / 25	0,5
0 / 40	1
0 / 60	1

**MATERIALS :**

DESIGNATION	MATERIALS
Box	SS 304
Fitting	SS 316
Mechanism	SS 316
Dial	Aluminium
Glass	Safety glass
Needle	Aluminium

STAINLESS STEEL PRESSURE GAUGE WITH DRY DIAL Ø 63

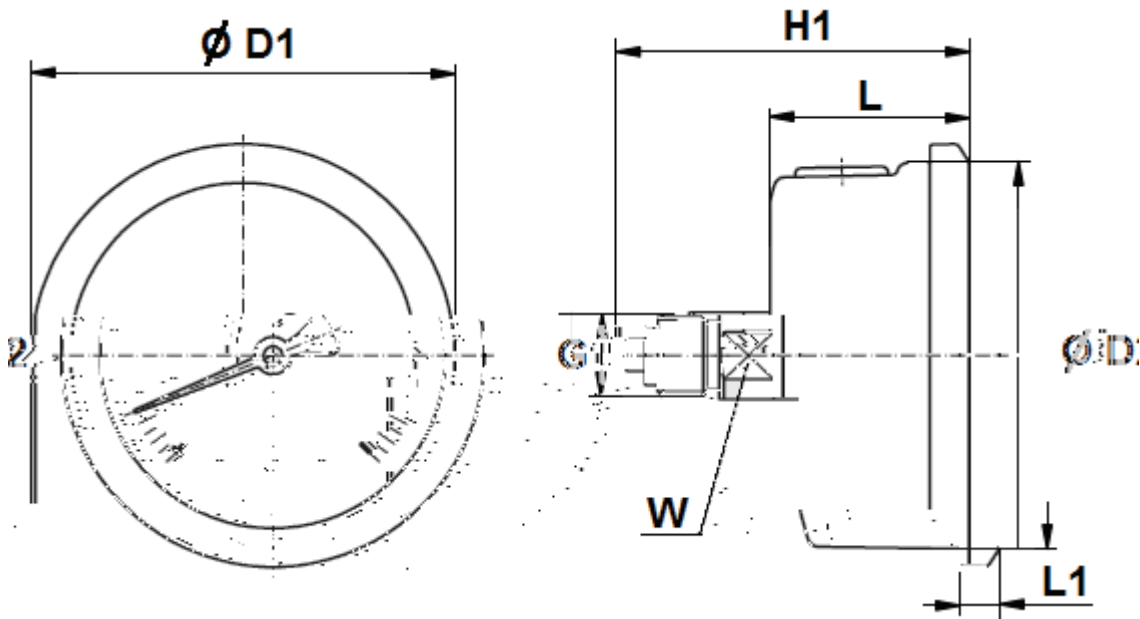
SIZE BOTTOM CONNECTION TYPE REF. 1616 ( in mm ) :



Ref.	DN	63
1616	Ø D1	68
	Ø D2	62
	H	56
	G	1/4" BSP
	L	32
	L1	6
	L2	10.5
	W	14
	Weight ( Kg )	0.146

**STAINLESS STEEL PRESSURE GAUGE WITH DRY DIAL Ø 63**

SIZE BACK CONNECTION TYPE REF. 1626 ( in mm ) :



Ref.	DN	63
1626	Ø D1	69
	Ø D2	62.4
	H	55
	G	1/4" BSP
	L	32.2
	L1	6.3
	W	14
	Weight ( Kg )	0.15

**STAINLESS STEEL PRESSURE GAUGE WITH DRY DIAL Ø 63****STANDARDS :**

- Fabrication according to ISO 9001 : 2008
- Designing according to EN 837-1
- DIRECTIVE 97/23/CE : Products excluded from directive ( article 3, § 3 )