



## 736-746XS VALVE WITH UM ELECTRIC ACTUATOR

Model/Ref: 272500022060



*Partnership.  
Without Limits.*

[www.lauridsenindustri.dk](http://www.lauridsenindustri.dk)

## 736-746XS VALVE WITH UM ELECTRIC ACTUATOR

### CHARACTERISTICS

The 736XS (steel) and 746XS (stainless steel) + UM 2-way ball valves are dedicated to the automatic shut-off of industrial fluids. With their 3-piece and external bolts construction, they are easy to dismantle for maintenance. This full bore ball valve has an antistatic device, a gland pack double tightness and is certified according to the TA-LUFT and the EC standards. The ISO 5211 pad enables the direct mounting of the electric actuator. It is perfectly adapted for an indoor or outdoor service.

**IP 65**
**TA  
LUFT**
**3.1  
Cert.**
**CE  
0035**

### AVAILABLE ITEMS

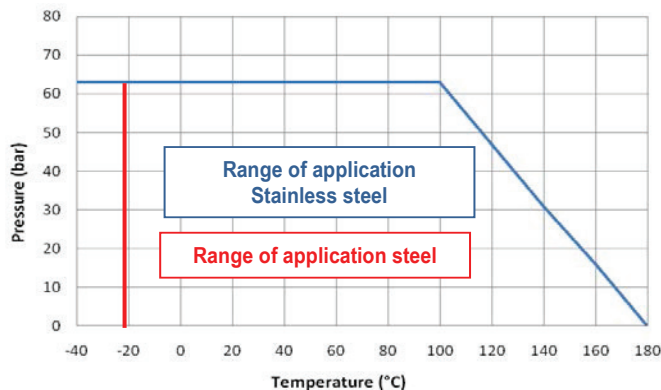
Size ¼" to 4"

Voltages 24 V AC/DC and 230 V AC

Attachment	G	SW	BW
Steel	736XS	735XS	734XS
Stainless steel	746XS	743XS	745XS

### LIMITS OF USE

Material	Steel	Stainless steel
Max. allowable pressure (PS)	63 bar (20 °C)	
Min./max. allowable temperature (TS)	-25 °C / +180 °C	-40 °C / +180 °C
Room temperature	-10 °C / +60 °C	
Service	S4 – 30% - 10 starts/h	



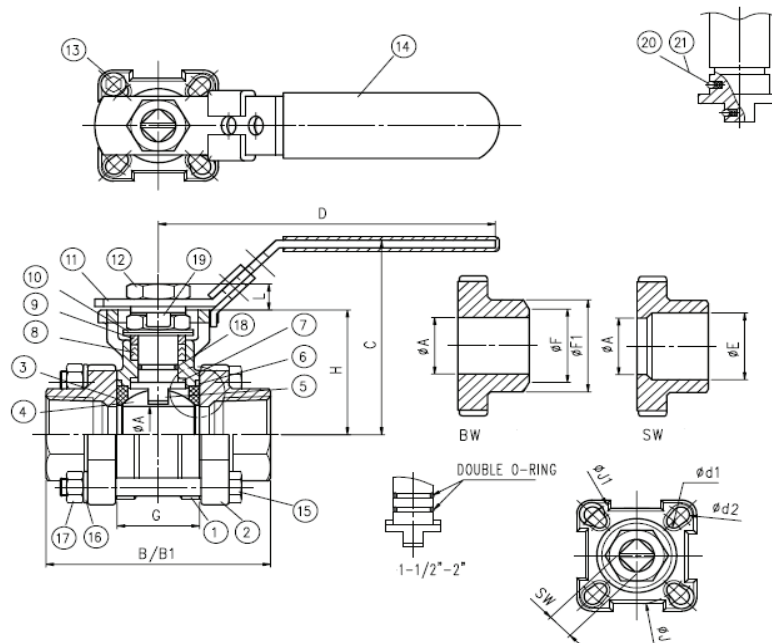
### DIRECTIVES AND DEVELOPMENT STANDARDS APPLICABLE

	Standard	Notified bodies		Standard
97/23/EC Pressure Equipment Directive	¼" to 1" : excluded		Valve testing	EN 12266
	1" ¼ to 4" : category III	TÜV #0035	Material certificate	EN 10204
Size	EN 12516-1		Actuator attachment	ISO 5211
Alloy grade	EN 1503-1			

The following data is for information purpose only and may be subject to alteration without prior notice

**736-746XS VALVE WITH UM ELECTRIC ACTUATOR**
**CONSTRUCTION**

#	Item	Carbon steel	Stainless steel	#	Item	Carbon steel	Stainless steel
1	Body	Carbon steel A216 WCB/1.0619	Stainless steel A351 CF8M / 1.4408	12	Nut	SS 304	SS 304
2	Ends	Carbon steel A216 WCB/1.0619	Stainless steel A351 CF8M / 1.4408	13	End stop	SS 304	SS 304
3*	Seats	PTFE+15% Graphite	PTFE+15%Graphite	14	Sleeve	PVC	PVC
4	Ball	CF8M / 316	CF8M / 316	15	Bolts	SS 304	SS 304
5	Stem	SS 316	SS 316	16	Washer	SS 304	SS 304
6*	Body gasket	PTFE	PTFE	17	Nuts	SS 304	SS 304
7*	Washer	PTFE+15% Graphite	PTFE+15% Graphite	18*	O-ring	FKM	FKM
8*	Packing	PTFE	PTFE	19	Retaining ring	SS 304	SS 304
9	Spacer	SS 304	SS 304	20	Antistatic	SS 316	SS 316
10	B washer	SS 301	SS 301	21	Spring	SS 304	SS 304
11	Lever	SS 304	SS 304	*Items provided in the maintenance kit			


**DIMENSIONS (mm)**

DN	A	B (G)	B (SW)	B1 (BW)	C	D	E	F	F1	G	H	J1	SW
¼"	10	65	65	70	46.5	110	14	13	17.0	26.0	41.0	42	9
3/8"	12.5	65	65	70	46.5	110	14	13	17.0	24.5	42.3	42	9
½"	16	75	75	75	70.9	110	21.9	17	22.4	25.2	42.3	42	9
¾"	20	80	80	90	73.4	110	27.2	22	28.2	27.7	44.8	42	9
1"	24.5	90	90	100	84.1	135	34.0	28	33.7	33.0	54.0	50	11
1" ¼	32	110	110	110	89.3	135	42.7	37	44.0	41.2	59.2	50	11
1" ½	38	120	120	125	109.5	165	48.8	43	50.8	49.3	73.5	70	14
2"	50	140	140	150	118.9	165	61.3	54	62.6	63.6	82.9	70	14
2" ½	65	185	185	190	155.0	300	77.0	74	76.1	82.1	107.0	102	17
3"	80	205	205	220	165.0	335	90.0	83	88.9	95.8	117.3	102	17
4"	100	240	240	270	180.0	335	115.5	110	114.3	117.8	132.3	102	17

The following data is for information purpose only and may be subject to alteration without prior notice

**736-746XS VALVE WITH UM ELECTRIC ACTUATOR**
**ACTUATION WITH UM**

Suggested standard UM actuation under the following conditions:

- Electric actuator with an IP 65 plastic enclosure and steel gears
- A minimum 1.3 safety factor compared with the valve nominal torque rating,
- A maximum pressure differential up/downstream of 10 bar ( $=\Delta P$ )

Direct mounting of the electric actuator

DN	Actuator	Power	Operating time* 230 V AC	Operating time* 24 V AC/DC	Standard equipment of the actuator
¼"	UMA3.5	10 W	10 s	15 s	2 adjustable limit switches 2 dry auxiliary switches Actuator thermal cut-out Manual override by key Visual position indicator Electrical connection: UMA3.5: 1 gland pack ½" PF UMC10: 2 gland packs. ½" PF
3/8"	UMA3.5	10 W	10 s	15 s	
½"	UMA3.5	10 W	10 s	15 s	
¾"	UMA3.5	10 W	10 s	15 s	
1"	UMA3.5	10 W	10 s	15 s	
1" ¼	UMA3.5	10 W	10 s	15 s	
1" ½	UMA3.5	10 W	10 s	15 s	
2"	UMA3.5	10 W	10 s	15 s	
2" ½	UMC10	25 W	8 s	N/A	
3"	UMC10	25 W	8 s	N/A	
4"	UMC15	25 W	8 s	8 s	<b>Optional equipment</b> Anti-condensation heater

\*Unloaded operating time given for information purpose only. May vary depending on the medium

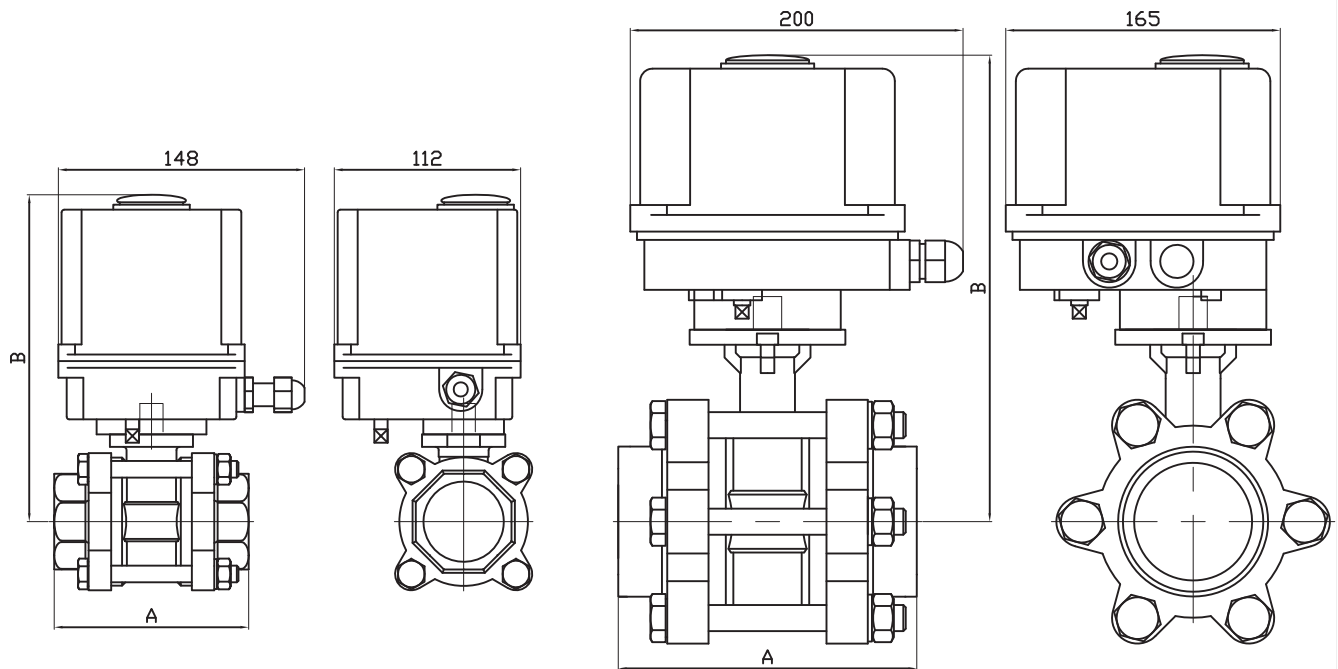
For any other working conditions, please contact us.

**ACTUATION OPTIONS**

There are many different options, please contact our commercial department.

1	100 mm high stem extension for pipe insulation
2	Slow closing UML electric actuator( DN ¼" to 3")
3	Electric actuator sized for a maximum pressure differential up/downstream over 10 bar ( $=\Delta P$ )
4	UM electric actuator with a declutchable manual override by handwheel
5	Anti-condensation heater

The following data is for information purpose only and may be subject to alteration without prior notice

**736-746XS VALVE WITH UM ELECTRIC ACTUATOR**


DN	1/2"	3/4"	1"	1"1/4	1"1/2	2"
SERVØ	UMA3.5	UMA3.5	UMA3.5	UMA3.5	UMA3.5	UMA3.5
A	75	80	90	110	120	140
B	186.3	189	198	203	217.5	227
KG	2.22	2.52	2.99	3.72	4.7	6.32

DN	2"1/2	3"	4"
SERVØ	UMC10	UMC10	UMC10
A	185	205	240
B	272	282.3	297.3
KG	13.96	19.23	27.86

The following data is for information purpose only and may be subject to alteration without prior notice

**736-746XS VALVE WITH UM ELECTRIC ACTUATOR**

**GENERAL CHARACTERISTICS**

The UMA3.5 electric actuator is used on ¼ turn valves. The maximum output torque is 15 Nm. Its compact construction with a plastic enclosure makes it convenient for actuation on small diameter ball valves and butterfly valves. Protection IP 65: possible use indoor and outdoor under shelter.

IP 65



**AVAILABLE ITEMS**

Voltage: 230 V AC, 24 V AC and 24 V DC

**LIMITS OF USE**

Protection rating	IP 65
Temperature range	-10 °C / +55 °C
Service	S4-30%

**MECHANICAL CHARACTERISTICS**

Gears	Treated steel pinions
Torque	35 Nm
Rotation angle	90° +/- 5°
Decutching	Switch
Manual override	Allen key

Electric actuator	UMA3.5			UML3.5
Voltage	230 V AC	24 V AC	24 V DC	230 V AC
Operating time	12 s	15 s	16 s	40 s
ISO 5211 pad	F03/F05 – star 14			



**ELECTRICAL CHARACTERISTICS**

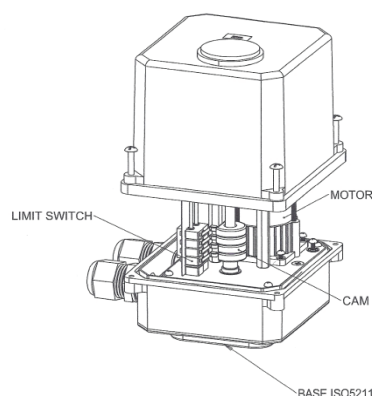
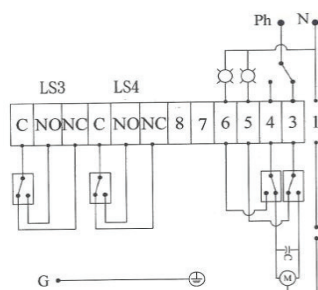
Motor protection	Thermal cut-out
Adjustable limit switches	2 adjustable switches
Auxiliary switches	2 adjustable dry switches
Anti-condensation	Optional
Electrical connection	2 gland packs. ½" PF

Electric actuator	UMA3.5			UML3.5
Voltage	230 V AC	24 V AC	24 V DC	230 V AC
Power	10 W	3 W	3 W	10 W
Intensity	0.25 A	0.15 A	0.15 A	0.25 A

The following data is for information purpose only and may be subject to alteration without prior notice

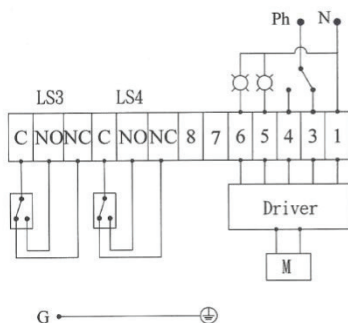
**736-746XS VALVE WITH UM ELECTRIC ACTUATOR**
**CONSTRUCTION**

Enclosure	PA 66 Plastic
Cover	PA 66 Plastic
Gears	Treated steel
Output	Star drive nut
Adjustable cams	Steel
Position indicator	Plexiglas®


**WIRING SCHEME 230 V AC**


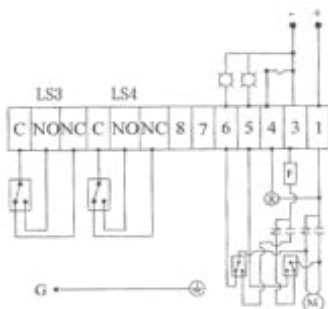
- 1 Common
- 3 Opening phase
- 4 Closing phase
- 5 Open powered contact
- 6 Close powered contact
- 7 Heater
- 8 Heater

- LS3 C-Auxiliary common dry open  
NO- NO Dry contact  
NC- NF Dry contact
- LS4 C-Auxiliary common dry close  
NO- NO Dry contact  
NC- NF Dry contact

**WIRING SCHEME 24 V AC**


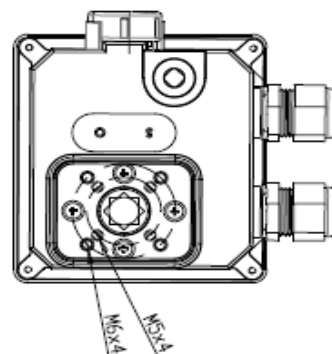
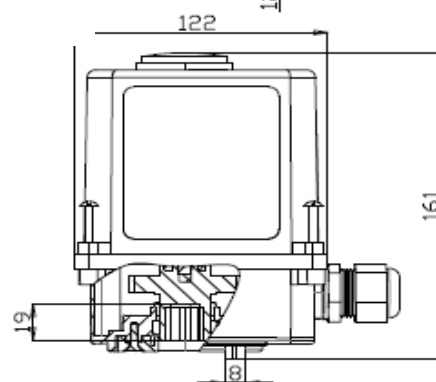
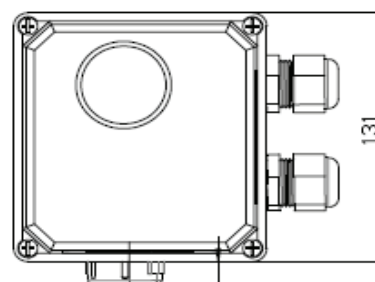
- 1 Common
- 3 Opening phase
- 4 Closing phase
- 5 Open powered contact
- 6 Close powered contact
- 7 Heater
- 8 Heater

- LS3 C-Auxiliary common dry open  
NO- NO Dry contact  
NC- NF Dry contact
- LS4 C-Auxiliary common dry close  
NO- NO Dry contact  
NC- NF Dry contact

**WIRING SCHEME 24 V DC**


- Wire 1 with +
- Wire 3 with -
- Bridge between 3 and 4 Opening
- 5 Open powered contact
- 6 Close powered contact
- 7 Heater
- 8 Heater

- LS3 C-Auxiliary common dry open  
NO- NO Dry contact  
NC- NF Dry contact
- LS4 C-Auxiliary common dry close  
NO- NO Dry contact  
NC- NF Dry contact

**DIMENSIONS (mm)**


The following data is for information purpose only and may be subject to alteration without prior notice

## 736-746XS VALVE WITH UM ELECTRIC ACTUATOR

### GENERAL CHARACTERISTICS

The UMC and UMCL electric actuators are generally used on ¼ turn valves. The maximum output torque is between 100 Nm and 150 Nm. Its compact construction with a plastic enclosure makes it convenient for the actuation of small diameter ball valves and butterfly valves. Protection IP 65: possible use indoor and outdoor under shelter.

### AVAILABLE ITEMS

100 Nm and 150 Nm torque  
 Voltage: 230 V AC, 24 V AC and 24 V DC

IP 65



### LIMITS OF USE

Protection rating	IP 65
Temperature range	-10 °C / +60 °C
Service	S4 - 30%

### MECHANICAL CHARACTERISTICS

Gears	Treated steel pinions
Rotation angle	90° +/- 5°
Decutching	N/A
Manual override	Allen key (except for UML version)



Electric actuator	UMC10	UMC15			UMC15L
Voltage	230 V AC	230 V AC	24 V AC	24 V DC	230 V AC
Torque	100 Nm	150 Nm			
Operating time	8 s	8 s	8 s	8 s	45 s
ISO 5211 pad	F07 – star 17				

### ELECTRICAL CHARACTERISTICS

Motor protection	Thermal cut-out
Adjustable limit switches	2 adjustable switches
Auxiliary switches	2 dry adjustable switches
Anti-condensation	Optional
Electrical connection	2 gland packs ½" PF

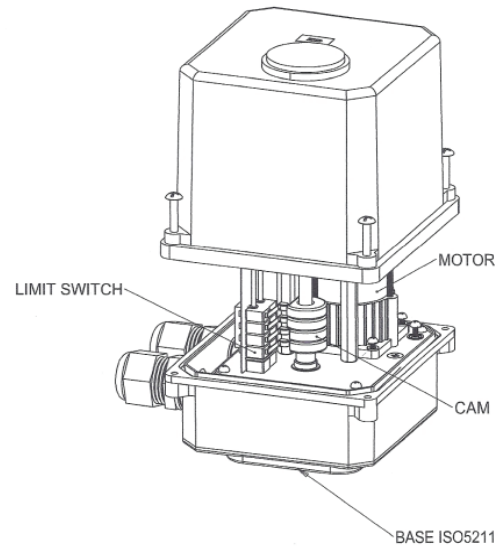
Electric actuator	UMC10	UMC15			UMC15L
Voltage	230 V AC	230 V AC	24 V AC	24 V DC	230 V AC
Power	25 W	25 W	25 W	25 W	25 W
Intensity	0.42 A	0.42 A	0.5 A	0.5 A	0.42 A

The following data is for information purpose only and may be subject to alteration without prior notice

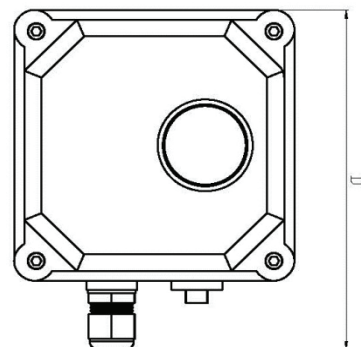
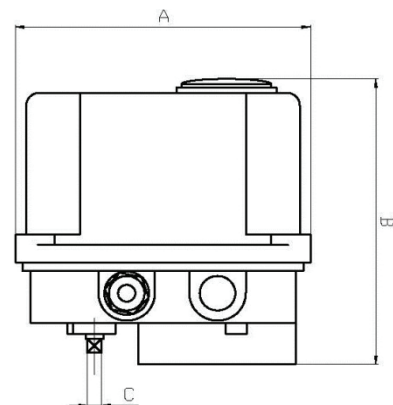


**736-746XS VALVE WITH UM ELECTRIC ACTUATOR**
**CONSTRUCTION**

Enclosure	PA66 Plastic
Cover	PA66 Plastic
Gears	Treated steel
Output	Star drive nut
Adjustable cams	Steel
Position indicator	Plexiglas®

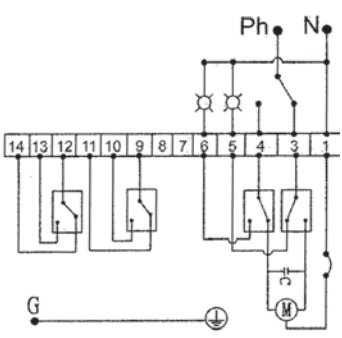
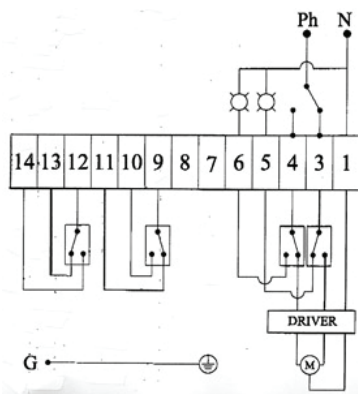

**DIMENSIONS (mm)**

A	165
B	165
C	8
D	200

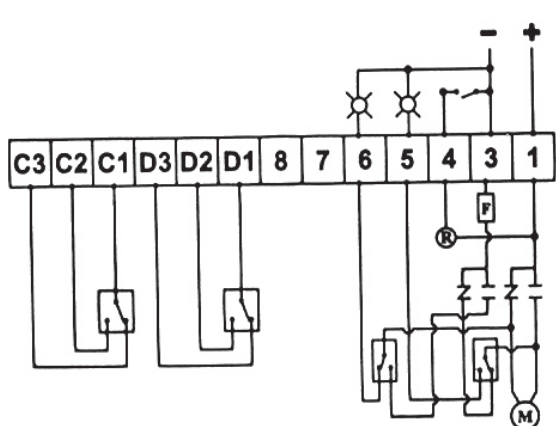


The following data is for information purpose only and may be subject to alteration without prior notice

**736-746XS VALVE WITH UM ELECTRIC ACTUATOR**
**WIRING SCHEME 230 V AC AND 24 V AC**

		230 V AC	24 V AC
1	Common		
3	Opening phase		
4	Closing phase		
5	Open powered contact		
6	Close powered contact		
7	Heater		
8	Heater		
9-C	Aux. common LS3 Opening		
10-NO	Aux. NO contact LS3 Opening		
11-NC	Aux. NC contact LS3 Opening		
12-C	Aux. common LS4 Closing		
13-NO	Aux. NO contact LS4 Closing		
14-NC	Aux. NC contact LS4 Closing		

**WIRING SCHEME 24 V DC**

	Wire 1 with +	
	Wire 3 with -	
	Bridge between 3 and 4 opening	
	Disconnected 4 closing	
5	Open powered contact	
6	Close powered contact	
7	Heater	
8	Heater	
D1	Aux. common #1	
D2	Aux. NO contact #1	
D3	Aux. NC contact #1	
C1	Aux. common #2	
C2	Aux. NO contact #2	
C3	Aux. NC contact #2	

The following data is for information purpose only and may be subject to alteration without prior notice