



**3 PIECES UNIONS FORGED STAINLESS STEEL FITTINGS  
PN60**

Model/Ref: 2064-2069



*Partnership.  
Without Limits.*

[www.lauridsenindustri.com](http://www.lauridsenindustri.com)

## 3 PIECES UNIONS FORGED STAINLESS STEEL FITTINGS PN60



**Size :** DN 1/4" to DN 2"  
**Ends :** Male, female or welding  
**Min Temperature :** - 25°C  
**Max Temperature :** + 180°C  
**Max Pressure :** 60 Bars  
**Specifications :** Forged unions fittings  
BSP threaded

**Materials :** Forged stainless steel



### 3 PIECES UNIONS FORGED STAINLESS STEEL FITTINGS PN60

**SPECIFICATIONS:**

- Forged unions fittings
- Conical bearing
- Male BSP conical threaded
- Female BSP cylindrical threaded

**USE:**

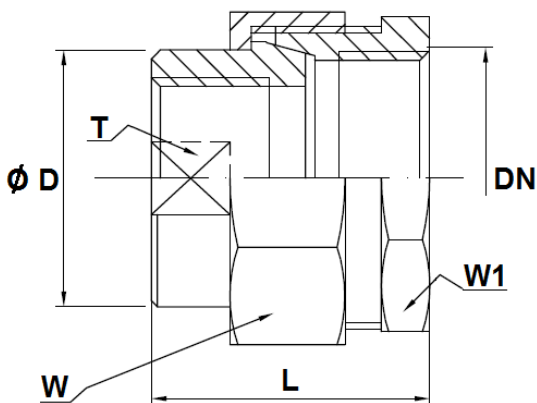
- For all common fluids
- Min Temperature Ts : - 25°C
- Max Temperature Ts :+ 180°C
- Max Pressure PN : 60 bars

**RANGE :**

- From DN 1/4" to DN 2"
- ASTM A312 316L fittings with ASTM A182 F316 nut

**SIZE ( in mm ) :**

- Union Female - Female ( DN 1/4"– 2" ) Ref. 2065

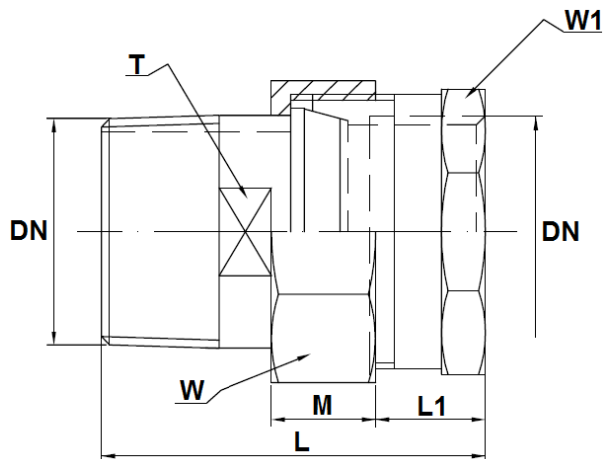


DN	1/4"	3/8"	1/2"	3/4"	1"	1"1/4	1"1/2	2"
Ø D	17.2	21.3	26.9	33.7	42.4	48.3	60.3	66
L	29	34	34	38	44	50	53	54
T	15	19	24	30	38	45	54	63
W	24	30	36	46	55	60	70	84
W1	22	28	35	43	52	57	68	78
Weig. (Kg)	0.061	0.108	0.163	0.268	0.412	0.439	0.738	0.908

## 3 PIECES UNIONS FORGED STAINLESS STEEL FITTINGS PN60

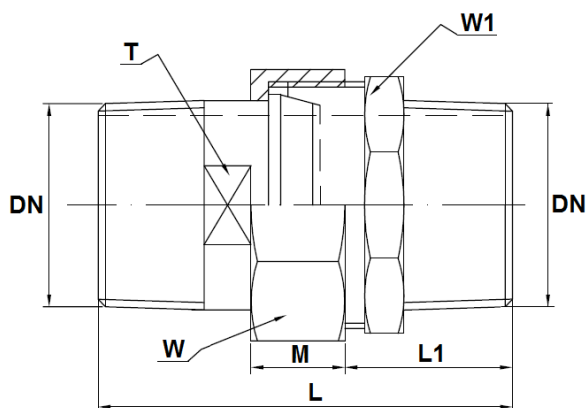
**SIZE ( in mm ) :**

- Union Male - Female ( DN 1/4"– 2" ) Ref. 2066



DN	1/4"	3/8"	1/2"	3/4"	1"	1"1/4"	1"1/2"	2"
L	41	45	54	57	66	70	73	83
L1	23	25	31	33	37	40	42	47.5
M	11	14.5	17	18	19	19	19	21
T	11	14	18	24	30	38	45	54
W	21	24	30	36	46	55	60	70
W1	18	22	28	35	43	52	57	68
Weig. (Kg)	0.045	0.068	0.120	0.171	0.295	0.407	0.474	0.674

- Union Male – Male ( DN 1/4"– 2" ) Ref. 2064

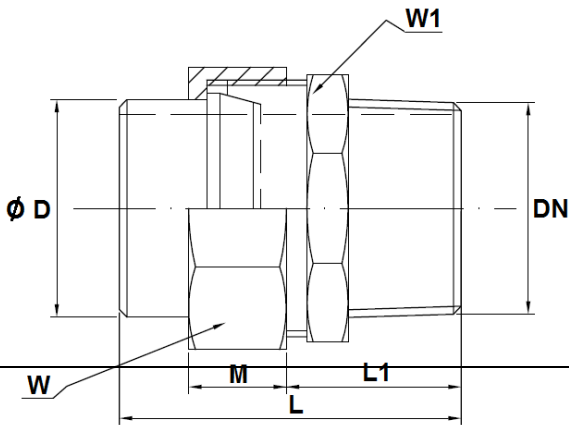


DN	1/4"	3/8"	1/2"	3/4"	1"	1"1/4"	1"1/2"	2"
L	50	57	66	71	80	82	85	95
L1	32	37	43	47	51	52	54	59.5
M	11	14.5	17	18	19	19	19	21
T	11	14	18	24	30	38	45	54
W	21	24	30	36	46	55	60	70
W1	18	22	28	35	43	52	57	68
Weig. (Kg)		0.087	0.140	0.203	0.329	0.421	0.521	0.799

3 PIECES UNIONS FORGED STAINLESS STEEL FITTINGS PN60

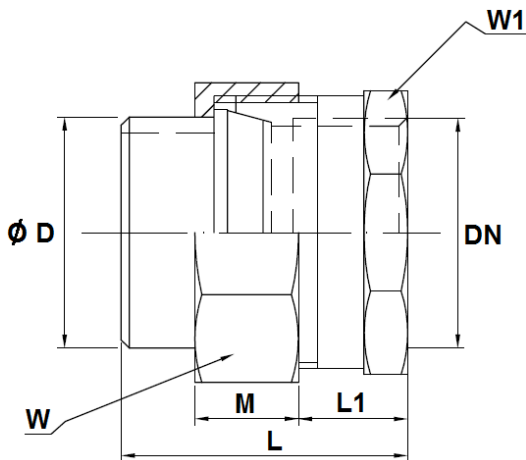
**SIZE ( in mm ) :**

- Union Male – B.W. ( DN 1/4"– 2" ) Ref. 2067



DN	1/4"	3/8"	1/2"	3/4"	1"	1"1/4	1"1/2	2"
Ø D	13.5	17.2	21.3	26.9	33.7	42.4	48.3	60.3
L	40	47	52	59	64	65	65	73
L1	32	37	43	47	51	52	54	59.5
M	11	14.5	17	18	19	19	19	21
W	21	24	30	36	46	55	60	70
W1	18	22	28	35	43	52	57	68
Weig. (Kg)		0.082	0.129	0.192	0.299	0.378	0.459	0.687

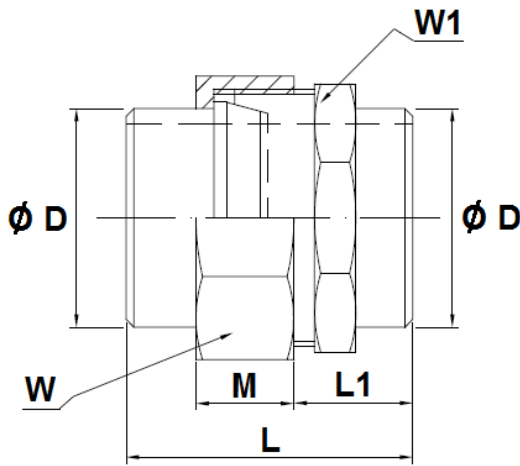
- Union Female – B.W. ( DN 1/4"– 2" ) Ref. 2068



## 3 PIECES UNIONS FORGED STAINLESS STEEL FITTINGS PN60

**SIZE ( in mm ) :**

- Union B.W. – B.W. ( DN 10– DN 50 ) Ref. 2069



DN	8	10	15	20	25	32	40	50
Ø D	13.5	17.2	21.3	26.9	33.7	42.4	48.3	60.3
L	40	45	48	52	55	56	58	62
L1	32	35	39	40	42	43	47	48.5
M	11	14.5	17	18	19	19	19	21
W	21	24	30	36	46	55	60	70
W1	18	22	28	35	43	52	57	68
Weig. (Kg)		0.082	0.130	0.182	0.290	0.367	0.457	0.661

**STANDARDS :**

- Fabrication according to ISO 9001 : 2008
- DIRECTIVE 97/23/CE : Products excluded from directive ( Article 1,§3.2 )
- Threaded male BSP conical ends according to ISO 7/1 R
- Threaded female BSP cylindrical ends according to ISO 228-1

