



**737-747XS VALVE WITH SA05 ELECTRIC
ACTUATOR**

Model/Ref: 271202023010



*Partnership.
Without Limits.*

www.lauridsenindustri.dk

737-747XS VALVE WITH SA05 ELECTRIC ACTUATOR

CHARACTERISTICS

The 737XS (steel) and 747XS (stainless steel) + SA 2-way ball valves are dedicated to the automatic shut-off of pipes carrying high temperature fluids such as steam below a 15 bar pressure. With their 3-piece and external bolts construction, they are easy to dismantle for maintenance. This full bore ball valve has an antistatic device, a gland pack double tightness and is certified according to the ATEX (with SA-X), EC, Firesafe and TA-LUFT standards. The ISO 5211 pad enables the direct mounting of the SA05 electric actuator. It is perfectly adapted for an indoor or outdoor industrial use.



FIRE SAFE

IP 67



With SA-X

TA
LUFT

3.1
Cert.



AVAILABLE ITEMS

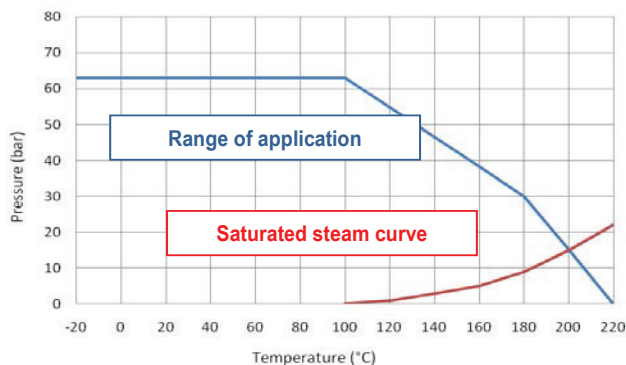
Size ½" to 2"

Voltages: 24 V DC, 24 V AC and 230 V AC

Attachment	BSP	SW	BW
Steel	737XS	739XS	738XS
Stainless steel	747XS	749XS	748XS

LIMITS OF USE

Material	Steel	Stainless steel
Max. allowable pressure (PS)	63 bar (20 °C)	
Min./max. allowable temperature (TS)	-25 °C / +220 °C	-40 °C / +220 °C
Use on steam	15 bar / +200 °C	
Room temperature	-20 °C / +70 °C	
Service	S2 – 70%	



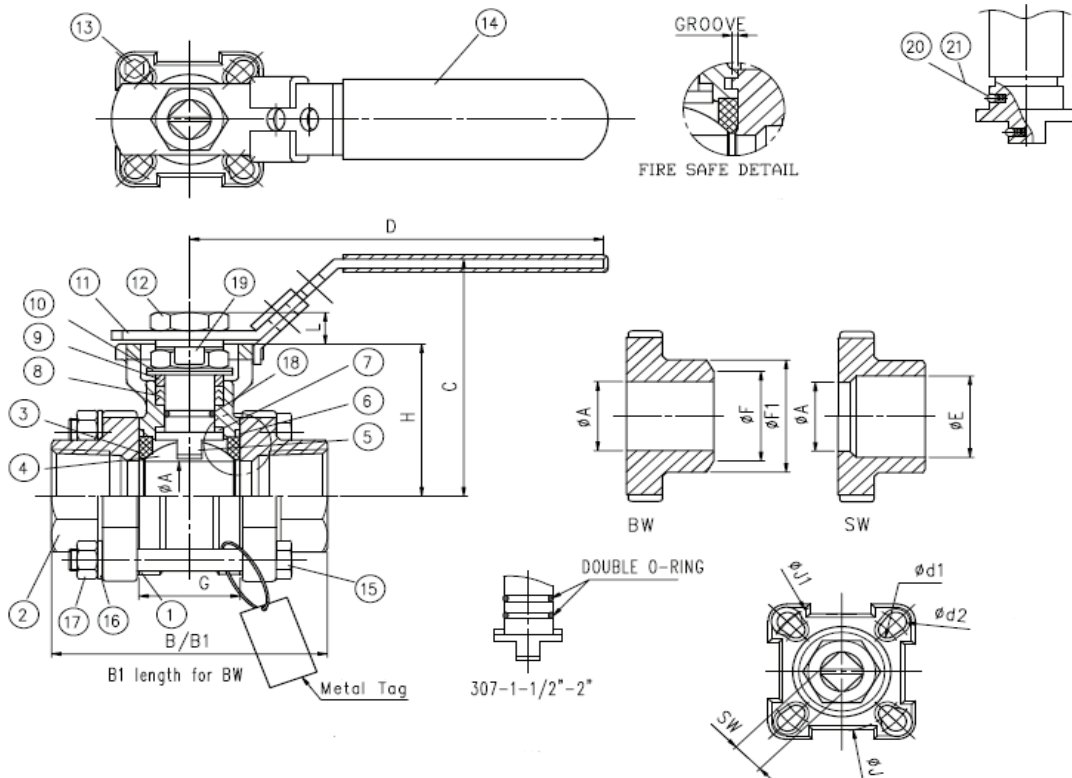
DIRECTIVES AND DEVELOPMENT STANDARDS APPLICABLE

	Standard	Notified bodies		Standard
97/23/EC Pressure Equipment Directive	¼" to 1" : excluded		Valve testing	EN 12266
	1" ¼ to 2" : category III	TÜV #0035	Material certificate	EN 10204
Size	EN 12516-1		Actuator attachment	ISO 5211
Alloy grade	EN 1503-1		Firesafe	API 607/5 – ISO10497-5
ATEX Directive	Valve	SIRA #0518	II 2G/D Tx for zones 1,2,21 and 22	
	Actuator (SA-X option)	KEMA #0344	II 2G EEx d II C T4 for zones 1 and 2	

The following data is for information purpose only and may be subject to alteration without prior notice

737-747XS VALVE WITH SA05 ELECTRIC ACTUATOR
CONSTRUCTION

#	Item	Carbon steel	Stainless steel	#	Item	Carbon steel	Stainless steel
1	Body	Carbon steel A216 WCB/1.0619	Stainless steel A351 CF8M /1.4408	12	Nut	SS 304	SS 304
2	Ends	Carbon steel A216 WCB/1.0619	Stainless steel A351 CF8M /1.4408	13	End stop	SS 304	SS 304
3*	Seats	PTFE+50% SS	PTFE+50% SS	14	Sleeve	PVC	PVC
4	Ball	CF8M / 316	CF8M / 316	15	Bolts	SS 304	SS 304
5	Stem	SS 316	SS 316	16	Washer	SS 304	SS 304
6*	Body gasket	Graphite	Graphite	17	Nuts	SS 304	SS 304
7*	Washer	PTFE+15%Graphite	PTFE+15%Graphite	18*	O-ring	FKM	FKM
8*	Packing	Graphite	Graphite	19	Retaining ring	SS 304	SS 304
9	Spacer	SS 301	SS 301	20	Antistatic	SS 316	SS 316
10	B washer	SS 301	SS 301	21	Spring	SS 304	SS 304
11	Lever	SS 304	SS 304	*Items provided in the maintenance kit			


DIMENSIONS(mm)

DN	A	B (BSP)	B (SW)	B1 (BW)	C	D	E	F	F1	G	H	J1	SW
½"	16	75	75	75	70.9	110	21.9	17	22.4	25.2	42.3	42	9
¾"	20	80	80	90	73.4	110	27.2	22	28.2	27.7	44.8	42	9
1"	24.5	90	90	100	84.1	135	34.0	28	33.7	33.0	54.0	50	11
1" ¼	32	110	110	110	89.3	135	42.7	37	44.0	41.2	59.2	50	11
1" ½	38	120	120	125	109.5	165	48.8	43	50.8	49.3	73.5	70	14
2"	50	140	140	150	118.9	165	61.3	54	62.6	63.6	82.9	70	14

The following data is for information purpose only and may be subject to alteration without prior notice

737-747XS VALVE WITH SA05 ELECTRIC ACTUATOR

ACTUATION WITH SA

Suggested standard actuation for SA under the following conditions:

- Electric actuator with an IP 67 epoxy coated aluminium enclosure and steel gears
- A minimum 1.3 safety factor compared with the valve nominal torque rating
- A maximum pressure differential up/downstream of 10 bar (=ΔP)

The actuator is mounted with a stainless steel bracket and coupler according to the EN 15081 standard






DN	Actuator	Power	Intensity 230 V AC	Intensity 24 V AC/DC	Operating time*	Standard equipment of the actuator
½"	SA05	6 W	28 mA	1.8 mA	17 s	2 adjustable limit switches 2 dry auxiliary switches 2 W anti-condensation heater Actuator thermal cut-out Declutching lever Manual override by key Backlit position indicator Electrical connection: 2 gland packs. M20x1.5
¾"	SA05	6 W	28 mA	1.8 mA	17 s	
1"	SA05	6 W	28 mA	1.8 mA	17 s	
1" ¼"	SA05	6 W	28 mA	1.8 mA	17 s	
1" ½"	SA05	6 W	28 mA	1.8 mA	17 s	
2"	SA05	6 W	28 mA	1.8 mA	17 s	

*Unloaded operating time given for information purpose only. May vary depending on the medium

For any other working conditions, please contact us.

ACTUATION OPTIONS

There are many different options, please contact our commercial department.

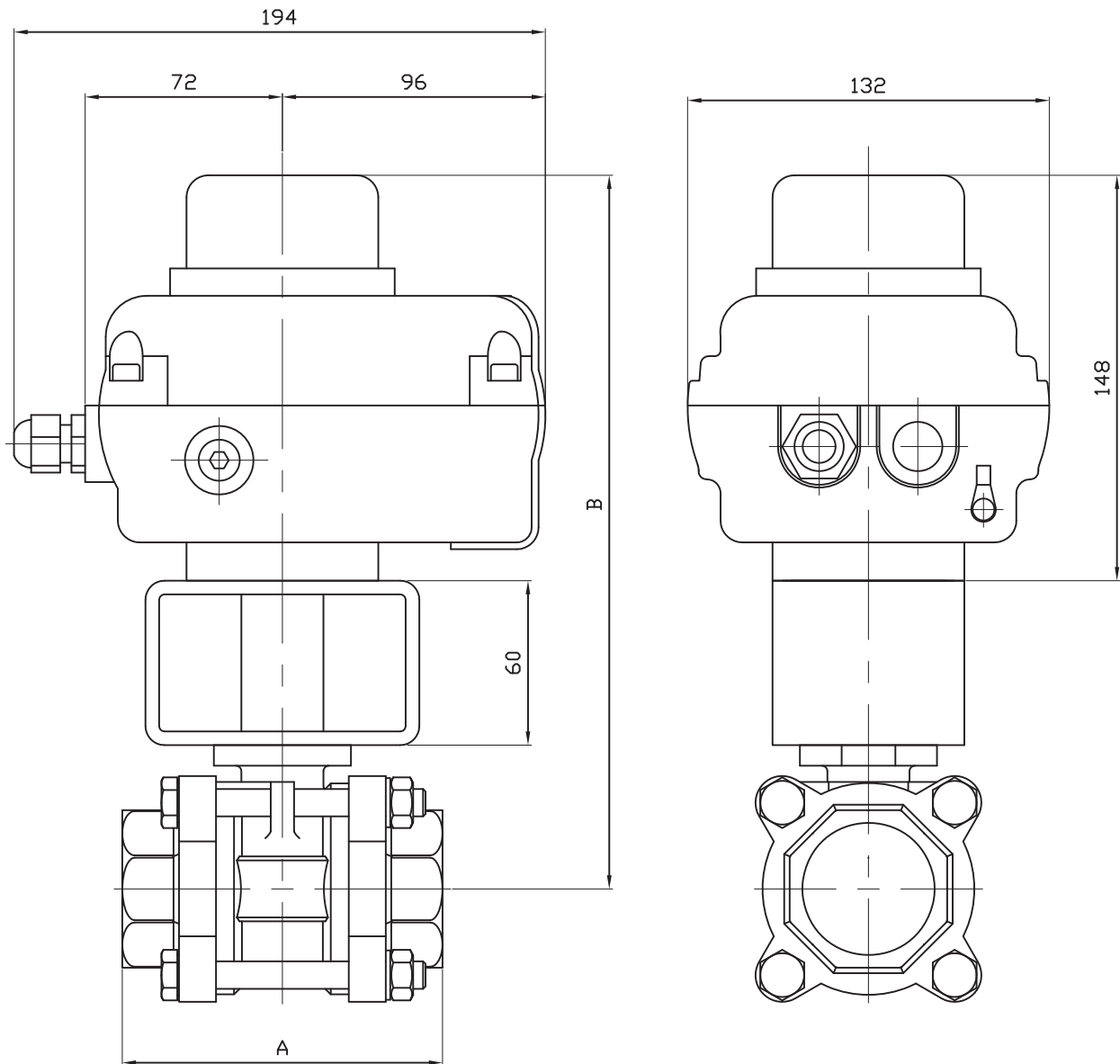
1	2	3	4	5
SA05S: Slow closing electric actuator 100 s	SA05PCU: Regulation actuator 4-20 mA or 0-10 V	SA05RBP: Safety actuator with an integrated battery emergency shutdown	SA05X: Actuator for use in ATEX zones 1 and 2	SR05: Safety spring return actuator
				
6	SAPUI electric actuator with feedback potentiometer			
7	Thermal dispersion bracket for high temperature fluids			
8	100 mm stem extension for pipe insulation			
9	Electric actuator sized for a maximum pressure differential up/downstream over 10 bar (=ΔP)			
10	NA electric actuator with a declutchable manual override by handwheel			

ATEX ZONES INSTALLATION

It is compulsory to specify if the installation of the automatic valve 737-747XS+SA-X05 will take place in ATEX zones 1 or 2 while making the order. Our services will proceed to the mounting check, to a grounding strip installation and will edit a mounting certificate. Those operations are performed by our proper engineers. Please contact us for further details. It is also compulsory to follow the ATEX zone mounting and maintenance special instructions for motorized valves. The ATEX gland packs and sealing plugs are not provided. Please use the following codes:

ATEX aluminium gland pack M20x1.5	Code 980179	ATEX aluminium sealing plugs M20x1.5	Code 980180
-----------------------------------	-------------	--------------------------------------	-------------

The following data is for information purpose only and may be subject to alteration without prior notice

737-747XS VALVE WITH SA05 ELECTRIC ACTUATOR


DN	1/2"	3/4"	1"	1 1/4"	1 1/2"	2"
A	75	80	90	110	120	140
B	250.3	253	262	267	281.5	291
KG	3.82	4.02	4.57	5.27	5.9	7.8

The following data is for information purpose only and may be subject to alteration without prior notice

737-747XS VALVE WITH SA05 ELECTRIC ACTUATOR

GENERAL DESCRIPTION

The SA05 electric actuator is dedicated to the actuation of industrial ¼ turn valve. The torque value is 50 Nm. With a compact design, an IP 67 cast aluminium enclosure and an epoxy protection, the SA electric actuator is especially adapted to the actuation of ball valves and butterfly valves in outdoor or indoor areas. The SA05 is equipped with a visual 3D position indicator and a manual override driven by an Allen key. It complies with the EN 15714-2 standard.

AVAILABLE ITEMS

Voltage: 230 V AC (50-60 Hz), 24 V AC/DC and 12 V DC

IP 67

ISO
9001

CE

LIMITS OF USE

Protection rating	IP 67
Temperature range	-20 °C / +70 °C
Service	S2 - 70%

MECHANICAL CHARACTERISTICS

Gears	Treated steel pinions
Torque	50 Nm
Rotation angle	90° +/-5°
Declutching	N/A
Manual override	Allen key (except for SA05S)



Electric actuator	SA05			SA05S	
	Voltage	230 V AC	24 V AC/DC	12 V DC	230 V AC
Torque	50 Nm				
Operating time	17 s	17 s	17 s	100 s	100 s
ISO 5211 pad	F03/F05/F17 star 14				

ELECTRICAL CHARACTERISTICS

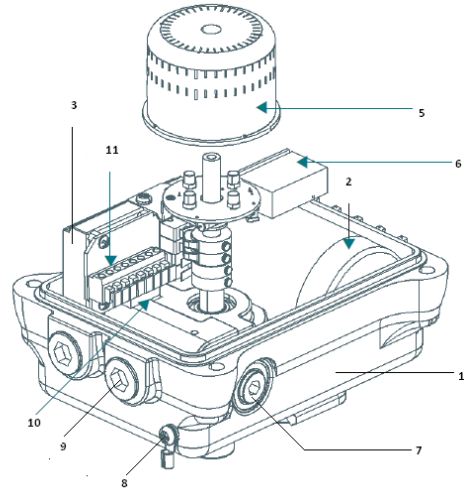
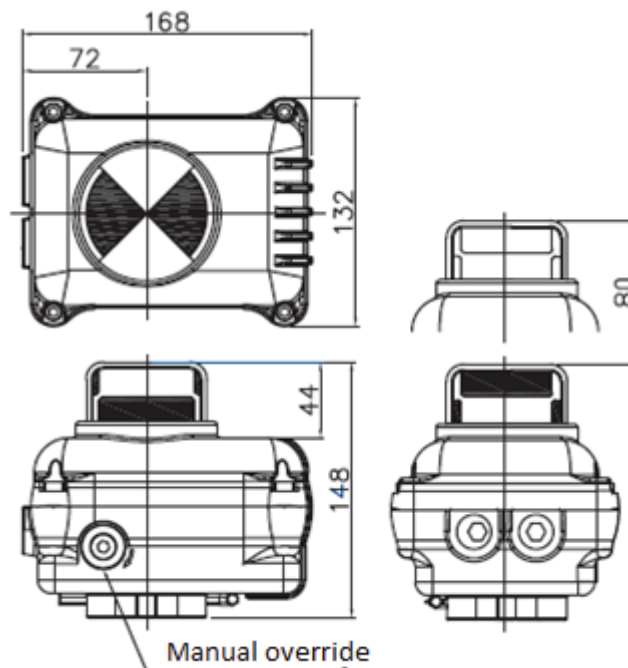
Motor protection	Thermal cut-out	Anti-condensation	2 W heater
Limit switches	2 adjustable switches	Electrical connection	2 gland packs M20x1.5
Auxiliary switches	2 adjustable dry switches		

Electric actuator	SA05			SA05S	
	Voltage	230 V AC	24 V AC/DC	12 V DC	230 V AC
Power	6 W	15 W	15 W	6 W	6 W
Intensity	0.24 A	1.8 A	3.6 A	0.24 A	1.8 A

The following data is for information purpose only and may be subject to alteration without prior notice

737-747XS VALVE WITH SA05 ELECTRIC ACTUATOR
CONSTRUCTION

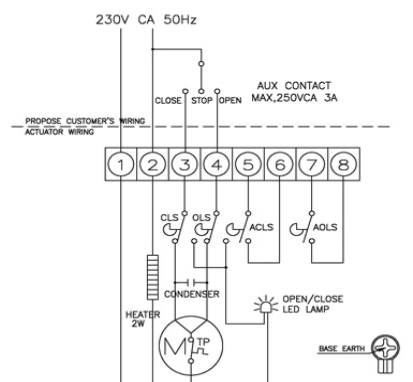
1	Enclosure	Polyester coated aluminium
2	Electric motor	
3	Gear	Treated steel pinions
4	Cover	Polyester coated aluminium
5	Position indicator	Polycarbonate plastic
6	Condenser	
7	Manual override	
8	Connection to ground	
9	Cable inlet	
10	Anti-condensation heater	
11	Terminal block	


DIMENSIONS (mm)


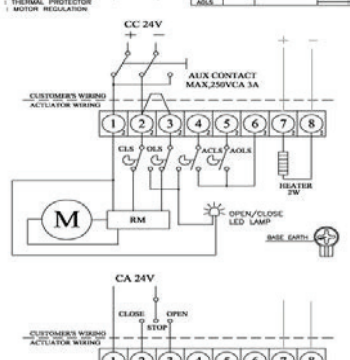
The following data is for information purpose only and may be subject to alteration without prior notice

737-747XS VALVE WITH SA05 ELECTRIC ACTUATOR

WIRING SCHEME 230 V AC

1	Common	<p>CLS : CLOSE LIMIT SWITCH (250VCA 3A) OLS : OPEN LIMIT SWITCH (250VCA 3A) ACLS : AUX. CLOSE LIMIT SWITCH (250VCA 3A) AOLS : AUX. OPEN LIMIT SWITCH (250VCA 3A) TP : THERMAL PROTECTOR</p> <table border="1"> <thead> <tr> <th>SWITCH</th> <th>CLOSE</th> <th>OPEN</th> </tr> </thead> <tbody> <tr> <td>CLS</td> <td></td> <td></td> </tr> <tr> <td>OLS</td> <td></td> <td></td> </tr> <tr> <td>ACLS</td> <td></td> <td></td> </tr> <tr> <td>AOLS</td> <td></td> <td></td> </tr> </tbody> </table> 	SWITCH	CLOSE	OPEN	CLS			OLS			ACLS			AOLS		
SWITCH	CLOSE		OPEN														
CLS																	
OLS																	
ACLS																	
AOLS																	
2	Anti-condensation heater																
3	Closing control																
4	Opening control																
5	Auxiliary switch closing																
6	Auxiliary switch closing																
7	Auxiliary switch opening																
8	Auxiliary switch opening																

WIRING SCHEME 24 V AC/DC

1	Common or +	<p>CLS : CLOSE LIMIT SWITCH (250VCA 3A) OLS : OPEN LIMIT SWITCH (250VCA 3A) ACLS : AUX. CLOSE LIMIT SWITCH (250VCA 3A) AOLS : AUX. OPEN LIMIT SWITCH (250VCA 3A) TP : THERMAL PROTECTOR RM : MOTOR REGULATION</p> <table border="1"> <thead> <tr> <th>SWITCH</th> <th>CLOSE</th> <th>OPEN</th> </tr> </thead> <tbody> <tr> <td>CLS</td> <td></td> <td></td> </tr> <tr> <td>OLS</td> <td></td> <td></td> </tr> <tr> <td>ACLS</td> <td></td> <td></td> </tr> <tr> <td>AOLS</td> <td></td> <td></td> </tr> </tbody> </table> 	SWITCH	CLOSE	OPEN	CLS			OLS			ACLS			AOLS		
SWITCH	CLOSE		OPEN														
CLS																	
OLS																	
ACLS																	
AOLS																	
2	Closing control																
3	Opening control																
4	Auxiliary switch closing																
5	Auxiliary switch opening																
6	Auxiliary common																
7-8	Anti-condensation heater power supply																

OPTIONS

1	SA05X: ATEX area version
2	SA05PIU: feedback potentiometer version
3	SA05CPT: 4-20 mA position transmitter version
4	SA05PCU: 0-10, 2-10 V, 2-20 mA, 4-20 mA regulation card version
5	SA05LCU: local control version
6	SA05RBP: integrated battery emergency shutdown device version

The following data is for information purpose only and may be subject to alteration without prior notice