



ALUMINIUM CAM-LOCK COUPLERS

Model/Ref: 2201-2208



*Partnership.
Without Limits.*

www.lauridsenindustri.com



ALUMINIUM CAM-LOCK



Size : DN 15 to DN 100
Types : Female, Male and hose coupling
10°C

ALUMINIUM CAM-LOCK COUPLERS (2201-2208)

SPECIFICATIONS :

- Aluminium
- NBR gasket (only for couplers)
- According to MIL-C-27487

UTILISATION :

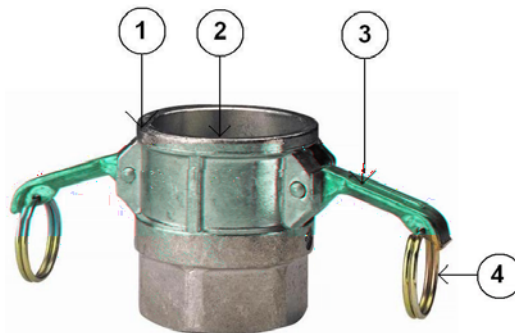
- For all common fluids
- Min and max Temperature Ts : - 10°C to + 60°C
- Max Pressure PN : See the table thereafter

DN	1/2"	3/4"	1"	1"1/4	1"1/2	2"	2"1/2	3"	4"
PN (Bar)	11	16	16	16	16	16	11	9	7

RANGE :

- Female adapter type A **Ref.2201** DN 1/2" to DN 4"
- Male coupler type B **Ref.2202** DN 1/2" to DN 4"
- Hose coupler type C **Ref.2203** DN 1/2" to DN 4"
- Female coupler type D **Ref.2204** DN 1/2" to DN 4"
- Hose adapter type E **Ref.2205** DN 1/2" to DN 4"
- Male adapter type F **Ref.2206** DN 1/2" to DN 4"
- Cap coupler type DC **Ref.2207** DN 1/2" to DN 4"
- Plug adapter type DP **Ref.2208** DN 1/2" to DN 4"
- **Other gasket on demand : EPDM or FKM**

MATERIALS :

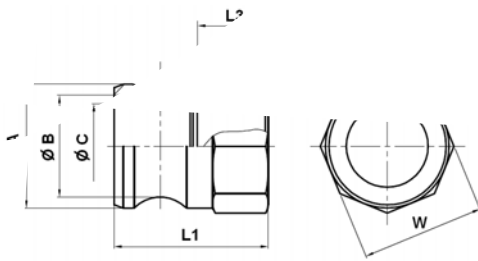


Item	Designation	Materials
1	Body	Aluminium
2	Gasket	NBR
3	Cam	Brass
4	Ring	Brass

ALUMINIUM CAM-J

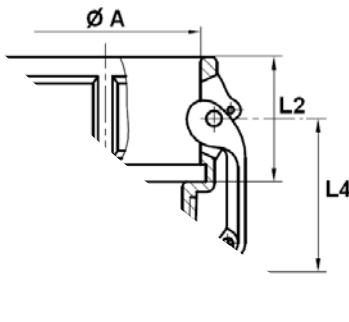
SIZE (in mm) :

- Female adapter type



2201	DN	1/2"	3/4"	1"	1"1/4	1"1/2	2"	2"1/2	3"	4"
L1		40	40	48	54.6	56	63	68.2	69	76.5
L3		17	17	20	21	24	24	30	34	34
W on flat		27	32	39	49	54.5	65	81	95	122
Weight (Kg)		0.023	0.047	0.059	0.082	0.11	0.15	0.28	0.3	0.5

- Male coupler type B Ref.2202



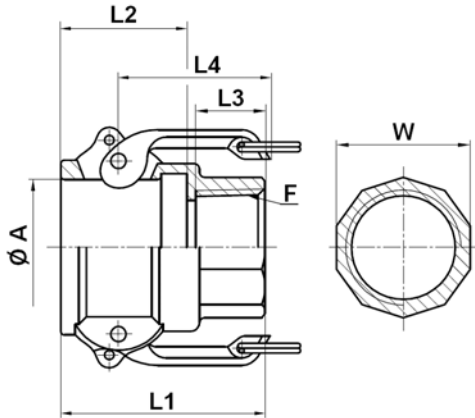
REF.	DN	1/2"	3/4"	1"	1"1/4	1"1/2	2"	2"1/2	3"	4"
2202	F	1/2"	3/4"	1"	1"1/4	1"1/2	2"	2"1/2	3"	4"
	Ø A	24	32.5	37.3	46	54	63.8	76.5	92.2	120.2
	Ø C	12.8	19.5	25.5	32	40	50	62	76	99
	L1	46.8	47.5	56	63	66	76	83	87	94.5
	L2	27	29	36	42	42	47.5	50	51	52
	L3	16	21	22	24	21	23	30	30	40
	L4	30	30	38	59	59	59	59	70	70
	Weight (Kg)	0.08	0.11	0.155	0.275	0.297	0.375	0.464	0.635	1.059

	1"	1"1/4	1"1/2	2"	2"1/2	3"	4"
	40.4	53	66.7	79.3	104.7		
						92.2	120.2

ALUMINIUM CAM-LOCK COUPLERS (2201-2208)

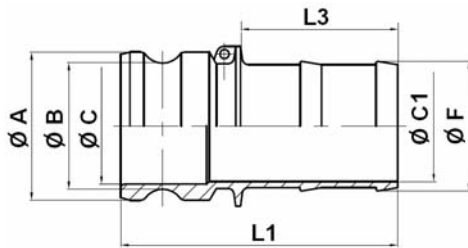
SIZE (in mm) :

- Female coupler type D Ref.2204



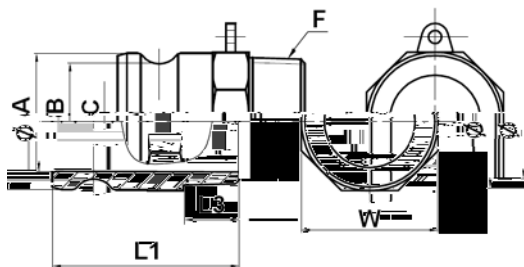
REF.	DN	1/2"	3/4"	1"	1"1/4	1"1/2	2"	2"1/2	3"	4"
2204	F	1/2"	3/4"	1"	1"1/4	1"1/2	2"	2"1/2	3"	4"
	Ø A	24	32.5	37.3	46	54	63.8	76.5	92.2	120.2
	L1	45.3	46	56	63	66	76	83	87	92.5
	L2	27	29	36	42	42	47.5	50	51	52
	L3	17	20	22	20	25	24	25	33	36
	L4	30	30	38	59	59	59	59	70	70
	W on flat	26.4	32	39	49	54.5	65	81	95	122
	Weight (Kg)	0.09	0.116	0.176	0.273	0.338	0.393	0.465	0.674	0.932

- Hose adapter type E Ref.2205



REF.	DN	1/2"	3/4"	1"	1"1/4	1"1/2	2"	2"1/2	3"	4"
2205	Ø F	15.1	21.5	27.3	34	40.4	53	66.7	79.3	104.7
	Ø A	24	32.4	36.7	45.5	53.5	63	75.8	91.5	119.5
	Ø B	18.2	26.2	29	35.2	43.1	52.5	64.6	81	106
	Ø C	13	21.2	24	28.5	36.5	46	56.6	73	98
	Ø C1	8	13	19.5	25.5	31.7	44	57	67.5	92
	L1	72	102	102	108	113	131	142	166	173.5
	L3	43	53	61	56	76	85	79	100	113
	Weight (Kg)	0.04	0.07	0.11	0.15	0.2	0.32	0.41	0.57	0.97

- Male adapter type F Ref.2206

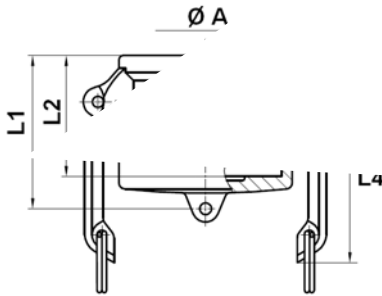


REF.	DN	1/2"	3/4"	1"	1"1/4	1"1/2	2"	2"1/2	3"	4"
2206	F	1/2"	3/4"	1"	1"1/4	1"1/2	2"	2"1/2	3"	4"
	Ø A	24	32.4	36.7	45.5	53.5	63	75.8	91.5	119.5
	Ø B	18.2	26.2	29	35.2	43.1	52.5	64.6	81	106
	Ø C	13	21.2	24	28.5	36.5	46	56.6	73	98
	L1	55	55	66	73.6	76	86.5	96.5	100	112
	L3	15	20	22	24	22	24	28	31	39
	W on flat	27	32	39	46.5	54.5	64	77	93	120
	Weight (Kg)	0.028	0.066	0.1	0.15	0.18	0.28	0.43	0.57	1.05

ALUMINIUM CAM

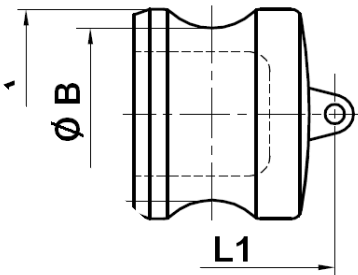
SIZE (in mm):

- Cap coupler type DC



L4	30	30	38	59	59	59	59	59	59	59
Weight (Kg)	0.05	0.1	0.145	0.29	0.30	0.36	0.41	0.65	0.9	

- Plug adapter type DP Ref.2208



REF.	DN	1/2"	3/4"	1"	1"1/4	1"1/2	2"	2"1/2	3"	4"
2208	Ø A	24	32.4	36.7	45.5	53.5	63	75.8	91.5	119.5
	Ø B	18.2	26.2	29	35.2	43.1	52.5	64.6	81	106
	L1	31	32	40	45	45	52	55	58	61
	Weight (Kg)	0.03	0.04	0.05	0.07	0.12	0.18	0.24	0.29	0.52

2008

(Article 1, § 3.2)

