



## STAINLESS STEEL CAM-LOCK COUPLERS

Model/Ref: 2241-2248



*Partnership.  
Without Limits.*

[www.lauridsenindustri.com](http://www.lauridsenindustri.com)

**STAINLESS STEEL CAM-LOCK COUPLERS ( 2241-2248 )**



**Size :** DN 1/2" to 4"  
**Ends :** Female, Male and hose coupling  
**Min Temperature :** - 10°C  
**Max Temperature :** + 60°C  
**Max Pressure :** 16 Bars  
**Specifications :** Stainless steel fittings  
NBR gasket  
According to MIL-C-27487

**Materials :** Stainless steel

STAINLESS STEEL CAM-LOCK COUPLERS ( 2241-2248 )

**SPECIFICATIONS :**

- Stainless steel fittings
- NBR gasket ( only for couplers )
- Conforme à la norme MIL-C-27487

**USE :**

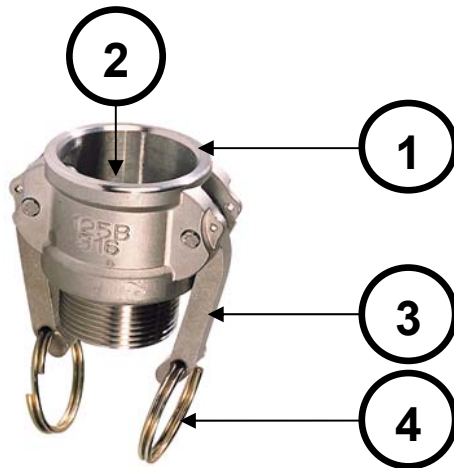
- For all common fluids
- Min and max Temperature Ts : - 10°C to + 60°C
- Max Pressure PN : See the table thereafter

DN	1/2"	3/4"	1"	1"1/4	1"1/2	2"	2"1/2	3"	4"
PN ( Bar )	11	18	18	18	18	18	16	14	14

**RANGE :**

- Female adapter type A **Ref.2241** DN 1/2" to DN 4"
- Male coupler type B **Ref.2242** DN 1/2" to DN 4"
- Hose coupler type C **Ref.2243** DN 1/2" to DN 4"
- Female coupler type D **Ref.2244** DN 1/2" to DN 4"
- Hose adapter type E **Ref.2245** DN 1/2" to DN 4"
- Male adapter type F **Ref.2246** DN 1/2" to DN 4"
- Cap coupler type DC **Ref.2247** DN 1/2" to DN 4"
- Plug adapter type DP **Ref.2248** DN 1/2" to DN 4"
- **Other gasket on demand : EPDM or FKM**

**MATERIALS :**

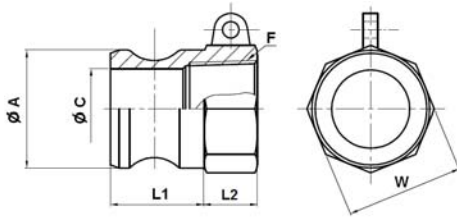


Item	Designation	Materials
1	Body	ASTM A351 CF8M
2	Gasket	NBR
3	Cam	ASTM A351 CF8M
4	Ring	ASTM A351 CF8M

**STAINLESS STEEL CAM-LOCK COUPLERS ( 2241-2248 )**

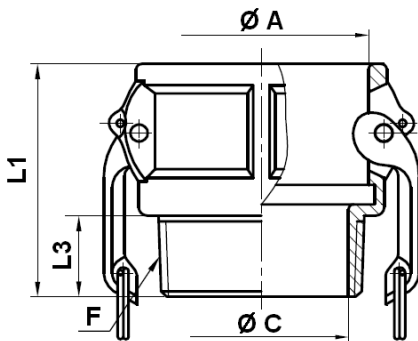
SIZE ( in mm ) :

- Female adapter type A Ref.2241



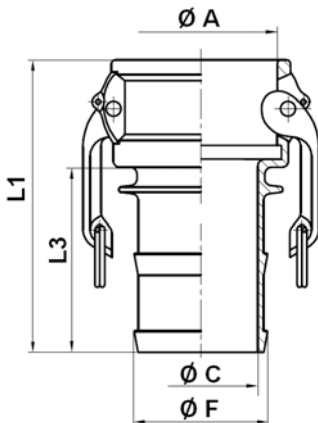
REF.	DN	1/2"	3/4"	1"	1"1/4	1"1/2	2"	2"1/2	3"	4"
2241	F	1/2"	3/4"	1"	1"1/4	1"1/2	2"	2"1/2	3"	4"
	Ø A	24	32.4	36.7	45.5	53.5	63	75.8	91.5	119.5
	Ø C	14.17	21.9	24.6	30.2	38	46.85	58.4	75	102.4
	L1	25.4	25.5	33.5	39	41	47.5	49	50	52
	L2	14.6	11	12	12	13	13	16	18	21
	W on flat	26	32.5	38	47	54.5	65	80	94	120
	Weig. (Kg)	0.067	0.116	0.159	0.208	0.287	0.432	0.757	0.726	1.290

- Male coupler type B Ref.2242



REF.	DN	1/2"	3/4"	1"	1"1/4	1"1/2	2"	2"1/2	3"	4"
2242	F	1/2"	3/4"	1"	1"1/4	1"1/2	2"	2"1/2	3"	4"
	Ø A	24.3	32.5	37.3	46	54	63.8	76.5	92.2	120.2
	Ø C	13	19.5	25.4	33.8	40	51	62	76	100
	L1	44	47	55.5	61	63	72	81	84	91
	L3	15	15.5	19.5	20	20.5	24	29.5	31	36
	Weig. (Kg)	0.163	0.202	0.285	0.457	0.496	0.622	0.949	1.343	1.877

- Hose coupler type C Ref.2243

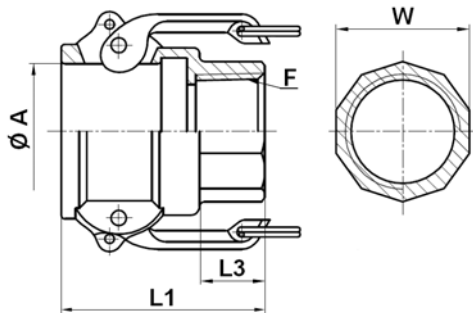


REF.	DN	1/2"	3/4"	1"	1"1/4	1"1/2	2"	2"1/2	3"	4"
2243	Ø F	15	21	27.3	34	40.4	53	66.7	79	104.5
	Ø A	24.3	32.5	37.3	46	54	63.8	76.5	92.2	120.2
	Ø C	8.2	14.2	20.6	26.6	33	44.5	57.5	69	93
	L1	64	81.5	93	98	103.5	117	130.5	151	159
	L3	35	50	57	57	61	69	79	98	104
	Weig. (Kg)	0.195	0.232	0.315	0.515	0.583	0.690	1.231	1.863	2.507

**STAINLESS STEEL CAM-LOCK COUPLERS ( 2241-2248 )**

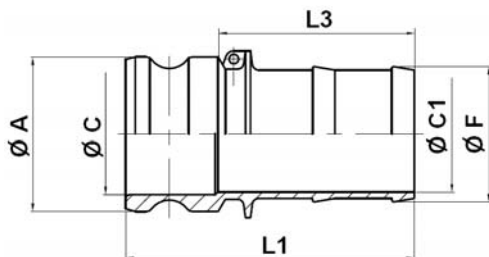
**SIZE ( in mm ) :**

- Female coupler type D Ref.2244



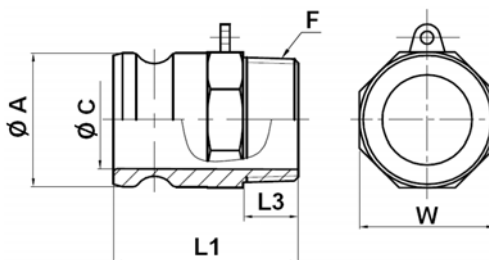
REF.	DN	1/2"	3/4"	1"	1"1/4	1"1/2	2"	2"1/2	3"	4"
2244	F	1/2"	3/4"	1"	1"1/4	1"1/2	2"	2"1/2	3"	4"
	Ø A	24.3	32.5	37.3	46	54	63.8	76.5	92.2	120.2
	L1	43.5	46	54	61	63	72	80.5	84	89
	L3	14.5	14.5	18	20	20.5	24	29	31	34
	W on flat	26	31	38	47	54	65	80	93.5	120
	Weig. (Kg)	0.188	0.239	0.315	0.463	0.532	0.661	0.892	1.354	2.003

- Hose adapter type E Ref.2245



REF.	DN	1/2"	3/4"	1"	1"1/4	1"1/2	2"	2"1/2	3"	4"
2245	Ø F	15	21	27.3	34	40.4	53	66.7	79	104.5
	Ø A	24	32.4	36.7	45.5	53.5	63	75.8	91.5	119.5
	Ø C	14.17	21.9	24.6	30.2	38	46.85	58.4	75	102.4
	Ø C1	8.2	14.2	20.6	26.5	33	44	57	69	93
	L1	68.5	86.5	99	104	111	128	140	160	166
	L3	45	63.1	68	71.4	77	88	98	118	123
	Weig. (Kg)	0.111	0.165	0.268	0.375	0.527	0.683	1.216	1.766	2.443

- Male adapter type F Ref.2246

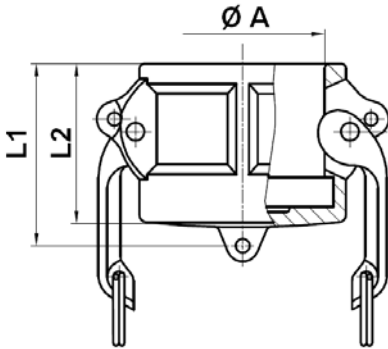


REF.	DN	1/2"	3/4"	1"	1"1/4	1"1/2	2"	2"1/2	3"	4"
2246	F	1/2"	3/4"	1"	1"1/4	1"1/2	2"	2"1/2	3"	4"
	Ø A	24	32.4	36.7	45.5	53.5	63	75.8	91.5	119.5
	Ø C	14.17	21.9	24.6	30.2	38	46.85	58.4	75	102.4
	L1	50.4	51.5	63	71	73.5	84.5	95	98	108
	L3	15	16	18.5	21	20.5	24	30	31	36
	W on flat	26.4	32.5	38	47	54.5	65	78	94	120
	Weig. (Kg)	0.086	0.176	0.249	0.250	0.382	0.522	1.049	1.170	2.193

**STAINLESS STEEL CAM-LOCK COUPLERS ( 2241-2248 )**

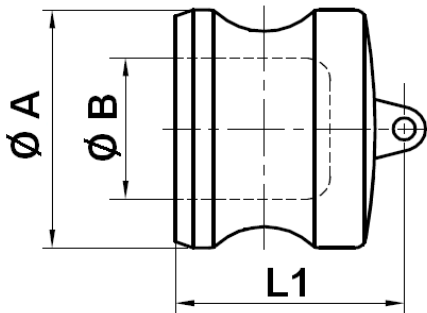
**SIZE ( in mm ) :**

- Cap coupler type DC Ref.2247



REF.	DN	1/2"	3/4"	1"	1"1/4	1"1/2	2"	2"1/2	3"	4"
2247	Ø A	24.3	32.5	37.3	46	54	63.8	76.5	92.2	120.2
	L1	34	36.5	41.7	47.6	51	54	58	62.5	65
	L2	29	31.5	36	41	42.5	48	51.5	53	55
	Weig. (Kg)	0.156	0.183	0.260	0.415	0.456	0.69	0.847	1.195	1.924

- Cap adapter type DP Ref.2248



REF.	DN	1/2"	3/4"	1"	1"1/4	1"1/2	2"	2"1/2	3"	4"
2248	Ø A	24	32.4	36.7	45.5	53.5	63	75.8	91.5	119.5
	Ø B	14.17	21.9	24.6	30.2	38	46.85	58.4	75	102.4
	L1	31	30	37.4	43	44.2	48	53.5	56.5	58
	Weig. (Kg)	0.089	0.084	0.142	0.236	0.299	0.443	0.679	0.959	1.514

**STANDARDS :**

- Fabrication according to ISO 9001 : 2008
- Directive 97/23/CE : Products excluded from directive ( Article 1, § 3.2 )
- Designing according to MIL-C-27487 and A-A 59326
- Threaded male and female BSP cylindrical according to ISO 228-1

This information is given informally. It can be modified at any time