



2410-2417 - Couplings Symetrical Aluminium

Model/Ref: 2410-2417



*Partnership.
Without Limits.*

www.lauridsenindustri.com



SYMETRICAL COUPLER



- DN 20 to DN 150
 - ↳ Male and hose coupling

SYMETRICAL COUPLINGS ALUMINIUM (2410-2417)

- Aluminium couplings
- White NBR gasket (only for couplings with lock)
- According to NF-E 29572

- Irrigation , network fire , hydrocarbon , common fluids
- Min and max Temperature Ts : - 10°C to + 80°C
- Max Pressure Ps : 16 bars

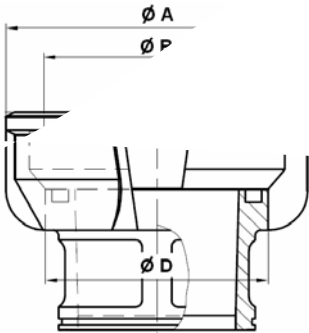
- Hose coupling with lock **Ref.2410** DN 20-25 to DN 150-152
- Reduced hose coupling with lock and collar **Ref.2411** DN 50-51 to DN 100-102
- Reduced coupling with lock **Ref.2412** DN 40-25 to DN 150-100
- Male coupling with lock **Ref.2413** DN 20 to DN 150
- Female coupling with lock **Ref.2414** DN 20 to DN 150
- Male coupling without lock **Ref.2415** DN 20 to DN 100
- Female coupling without lock **Ref.2416** DN 20 to DN 100
- Cap with lock and chain **Ref.2417** DN 20 to DN 150



| Item | Designation | Materials |
|------|-------------|-----------|
| 1 | Body | Aluminium |
| 2 | Gasket | White NBR |
| 3 | Snap ring | Steel |

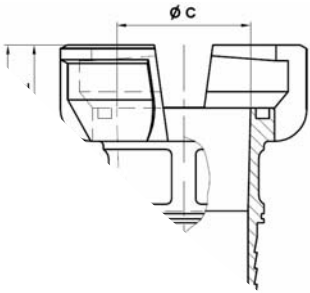
SYMETRICAL COUPLER

- For all types (exc)



| REF. | DN | 20 | 25 | 32 | 40 | 50 | 65 | 80 | 100 | 150 |
|------|-----|----|----|------|----|----|-----|-----|-----|-----|
| All | Ø A | 47 | 54 | 58 | 75 | 92 | 108 | 131 | 151 | 236 |
| | Ø B | 32 | 37 | 42.5 | 55 | 69 | 84 | 103 | 123 | 193 |
| | Ø D | 31 | 37 | 41.5 | 54 | 68 | 83 | 101 | 121 | 190 |

- Hose coupling with lock Ref.2410



| REF. | DN | 20 | 25 | 32 | 40 | 40 | 50 | 65 | 80 | 100 | 100 | 150 |
|------|-------------|------|------|------|------|------|-------|------|-----|------|------|------|
| 2410 | Ø F | 25 | 30 | 35 | 40.5 | 45 | 55 | 70 | 90 | 105 | 110 | 152 |
| | Ø E | 20 | 24 | 30 | 34 | 38 | 48 | 62 | 79 | 90 | 92 | 139 |
| | Ø C | 20 | 24 | 30 | 40 | 40 | 50 | 65 | 82 | 98 | 98 | 150 |
| | L1 | 74.2 | 75.5 | 79 | 92 | 97 | 111.5 | 116 | 146 | 192 | 172 | 240 |
| | L2 | 19.2 | 19.7 | 21.5 | 27.5 | 27.5 | 36 | 34 | 39 | 42 | 42 | 57 |
| | L3 | 33 | 32 | 32 | 35 | 38 | 45 | 50 | 62 | 103 | 90 | 120 |
| | Weight (Kg) | 0.06 | 0.07 | 0.09 | 0.22 | 0.19 | 0.38 | 0.47 | 0.8 | 0.98 | 1.13 | 3.06 |

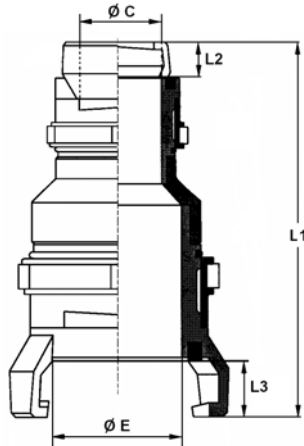
Collar* Ref.2411

| DN | 100 | 100 |
|-------------|-----|-----|
| Weight (Kg) | 102 | 102 |



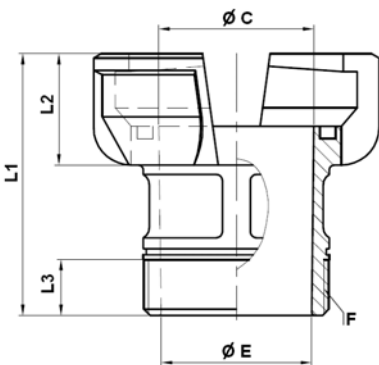
SYMETRICAL COUPLINGS ALUMINIUM (2410-2417)

- Reduced coupling with lock Ref.2412



| REF. | DN | 40 | 40 | 40 | 50 | 50 | 50 | 65 | 65 | 80 | 80 | 80 | 100 | 100 | 100 | 100 | 150 | |
|------|-------------|------|------|------|------|------|------|------|------|------|------|------|------|------|------|------|------|----|
| 2412 | DN1 | 20 | 25 | 32 | 25 | 32 | 40 | 40 | 50 | 40 | 50 | 65 | 40 | 50 | 65 | 80 | 100 | |
| | Ø E | 39 | 39 | 39 | 49 | 49 | 49 | 64 | 64 | 79 | 79 | 79 | 98 | 98 | 98 | 98 | 149 | |
| | Ø C | 19 | 23 | 29 | 24 | 24 | 39 | 39 | 49 | 39 | 48 | 64 | 39 | 49 | 64 | 79 | 98 | |
| | L1 | 130 | 115 | 117 | 146 | 143 | 138 | 138 | 150 | 163 | 182 | 178 | 150 | 164 | 180 | 177 | 225 | |
| | L2 | 21 | 21 | 21 | 21 | 21 | 29 | 29 | 37 | 29 | 37 | 34 | 29 | 37 | 34 | 39 | 41 | |
| | L3 | 28 | 28 | 28 | 36 | 36 | 37 | 34 | 34 | 39 | 39 | 39 | 39 | 39 | 39 | 39 | 39 | 58 |
| | Weight (Kg) | 0.28 | 0.25 | 0.24 | 0.43 | 0.44 | 0.44 | 0.52 | 0.62 | 0.70 | 0.83 | 0.86 | 0.93 | 1.08 | 1.08 | 1.31 | 3.97 | |

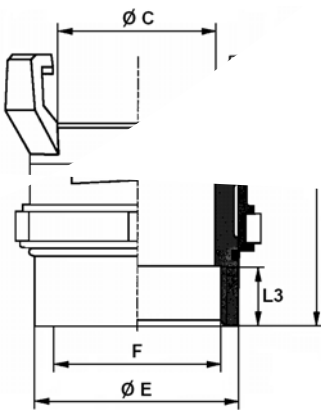
- Male coupling with lock Ref.2413



| REF. | DN | 20 | 25 | 32 | 40 | 50 | 65 | 80 | 100 | 150 |
|------|-------------|------|------|-------|-------|------|-------|------|------|------|
| 2413 | F | 3/4" | 1" | 1"1/4 | 1"1/2 | 2" | 2"1/2 | 3" | 4" | 6" |
| | Ø E | 20 | 22 | 30 | 38 | 48 | 63 | 80 | 96 | 149 |
| | Ø C | 20 | 24 | 30 | 40 | 50 | 65 | 82 | 98 | 149 |
| | L1 | 52.7 | 56.5 | 67 | 69.5 | 84.5 | 86 | 99 | 108 | 158 |
| | L2 | 19.2 | 19.7 | 21.5 | 27.5 | 36 | 34 | 39 | 42 | 59 |
| | L3 | 12 | 13 | 13 | 15 | 18 | 20 | 24 | 26 | 34 |
| | Weight (Kg) | 0.05 | 0.07 | 0.11 | 0.16 | 0.3 | 0.34 | 0.59 | 0.86 | 3.19 |

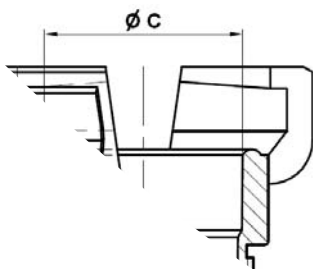
SYMETRICAL COUPLER

- Female coupling with lock



| 2414 | Ø C | 20 | 25 | 32 | 40 | 50 | 65 | 80 | 100 | 120 |
|-------------|-----|------|------|------|------|------|------|------|-----|------|
| L1 | | 59 | 68 | 68 | 86 | 106 | 109 | 103 | 136 | 120 |
| L3 | | 12 | 14.5 | 14 | 17 | 21 | 22 | 26 | 27 | 37 |
| Weight (Kg) | | 0.05 | 0.09 | 0.12 | 0.21 | 0.37 | 0.44 | 0.76 | 1 | 2.35 |

- Male coupling without lock Ref.2415

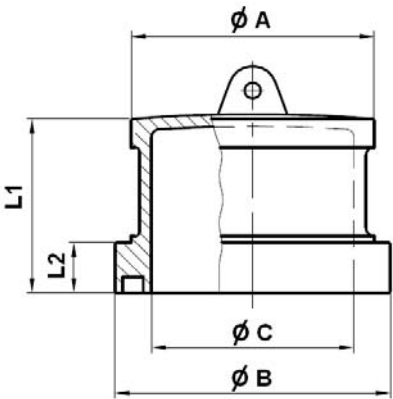


| REF. | DN | 20 | 25 | 32 | 40 | 50 | 65 | 80 | 100 |
|------|-------------|------|------|-------|-------|------|-------|------|------|
| 2415 | F | 3/4" | 1" | 1"1/4 | 1"1/2 | 2" | 2"1/2 | 3" | 4" |
| | Ø E | 19.8 | 24 | 30 | 38 | 51 | 65 | 77 | 98 |
| | Ø C | 19.8 | 25 | 30 | 40 | 54 | 69 | 81 | 101 |
| | L1 | 40 | 43 | 43.5 | 53 | 66.5 | 66.5 | 78 | 83 |
| | L2 | 19.2 | 22 | 22.5 | 27.5 | 36 | 33 | 39 | 42 |
| | L3 | 12 | 13 | 13.5 | 15 | 18 | 20 | 24 | 25 |
| | Weight (Kg) | 0.03 | 0.05 | 0.07 | 0.12 | 0.20 | 0.29 | 0.35 | 0.52 |

| | | |
|----|----|-----|
| 65 | 80 | 100 |
| 4" | | |

SYMETRICAL COUPLINGS ALUMINIUM (2410-2417)

- Cap with lock and chain Ref.2417



| REF. | DN | 20 | 25 | 32 | 40 | 50 | 65 | 80 | 100 | 150 |
|------|-------------|------|------|------|------|------|------|------|------|------|
| 2417 | Ø A | 30 | 33 | 42 | 48 | 60 | 75 | 94 | 114 | 205 |
| | Ø B | 31 | 37 | 41.5 | 54 | 68 | 83 | 101 | 121 | 190 |
| | Ø C | 20 | 24 | 29 | 38 | 50 | 65 | 81.5 | 100 | 150 |
| | L1 | 20 | 30 | 21 | 35 | 43 | 43 | 49 | 53 | 85 |
| | L2 | 12 | 5.7 | 13 | 8 | 12.5 | 10.5 | 12 | 13 | 20 |
| | Weight (Kg) | 0.06 | 0.06 | 0.08 | 0.12 | 0.24 | 0.3 | 0.48 | 0.69 | 2.28 |

- Fabrication according to ISO 9001 : 2008
- Designing according to NF-E 29572
- Threaded BSP according to NF EN ISO 228-1

This information is given informally. It can be modified at any time