



**762-763 VALVE WITH SA ELECTRIC
ACTUATOR**

Model/Ref: 274362023010



*Partnership.
Without Limits.*

www.lauridsenindustri.dk

762-763 VALVE WITH SA ELECTRIC ACTUATOR

CHARACTERISTICS

The 762-763+SA ball valve is dedicated to the automatic opening/shut-off of pipes carrying medium pressure unloaded industrial fluids. This full bore split body ball valve is certified by the following standards: 97/23/EC, ATEX, and Firesafe. The valve complies with the EN 558-1 series 27 face-to-face standards. The ISO 5211 pad allows a direct mounting of the SA actuator. It is perfectly suitable for an indoor or outdoor industrial use.

AVAILABLE ITEMS

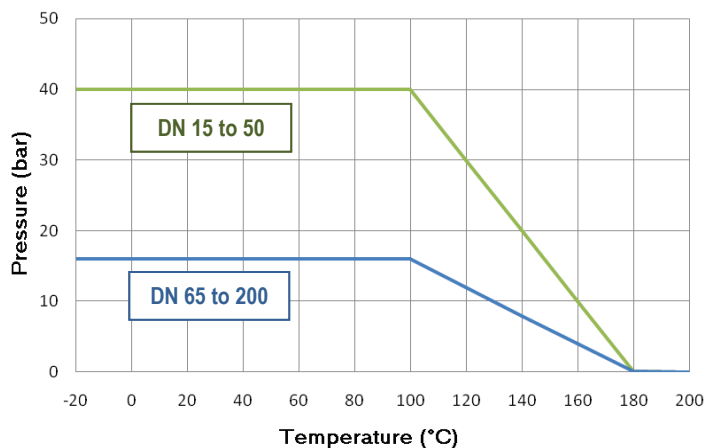
762: 1.0619 carbon steel (A216 WCB) body
 763: 1.4408 stainless steel (A351 CF8M) body
 DN 15 to DN 40: flanged connections RF PN16/40
 Voltages: 12 V DC, 24 V DC, 24 V AC, 230 V AC



With SA-X

LIMITS OF USE

Max. allowable pressure (PS)	40 bar (20 °C)
Min./max. allowable temperature (TS)	-20 °C / +200 °C
Room temperature	-20 °C / +80 °C
ATEX Zones	zone 1 or zone 2
Actuator compressed air	6 bar min./ 10 bar max.



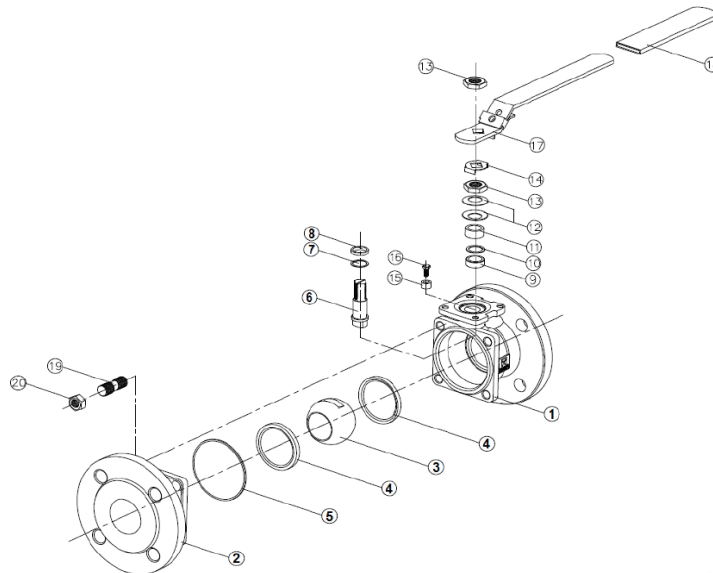
The following data is for information purpose only and may be subject to alteration without prior notice

762-763 VALVE WITH SA ELECTRIC ACTUATOR

DIRECTIVES AND DEVELOPMENT STANDARDS

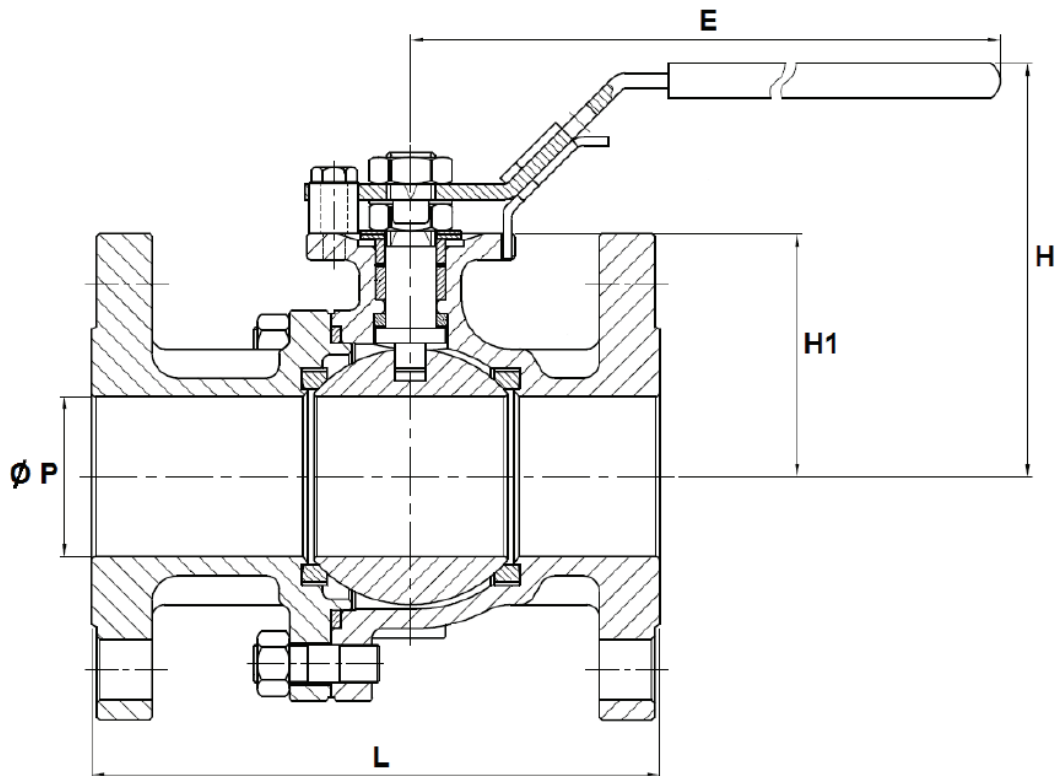
	Standard	Notified bodies		Standard
97/23/EC Pressure Equipment Directive	DN 15 and 20 : excluded		Valve testing	EN 12266
	DN 25 to 200 : category II	#0035	Material certificate	EN 10204
Shell design	EN 12516-1		Alloy grade	EN 1503-1
Flanges dimension	EN 1092-1		Face-to-face dimension	EN 558-1 series 27
Fire testing	API 607		Actuator attachments	ISO 5211
ATEX Directive	Valve		II 2G/D Tx for zones 1,2,21 and 22	
	Actuator (NA-X option)	NEMKO #0470	II 2G EEx d II B T4 for zones 1 and 2	

CONSTRUCTION



#	Item	762 CS	763 SS	#	Item	762 CS	763 SS
1	Body	Carbon steel A216 WCB	Stainless steel A351 CF8M	12	Belleville spring washers	SS 301	
2	Ends	Carbon steel A216 WCB	Stainless steel A351 CF8M	13	Nut	SS 304	
3	Ball	Stainless steel A351 CF8M		14	Locking washer	SS 304	
4	Seat	PTFE reinforced with glass		15	End stop	SS 304	
5	Body gasket	Graphite		16	End stop screw	SS 304	
6	Stem	SS ASTM A276 316		17	Handle	SS 304	
7	Ring	PTFE reinforced with carbon		18	Sleeve	PVC	
8	Ring	PTFE reinforced with carbon		19	Dowel	SS 304	
9	Gland packing	Graphite		20	Nut	SS 304	
10	Gland packing	PTFE reinforced with carbon					

The following data is for information purpose only and may be subject to alteration without prior notice

762-763 VALVE WITH SA ELECTRIC ACTUATOR
DIMENSIONS (mm)


DN	15	20	25	32	40	50	65	80	100	125	150	200
Ø P	15	20	24	30	38	50	64	76	98	125	150	200
L	115	120	125	130	140	150	170	180	190	325	350	400
E	158	158	196	196	245	261	400	400	400	743	743	925
H	76.5	78.1	92	96	109.1	115.6	188	194	215	239.6	256.5	323.5
H1	39	42.5	52	56	66	73	86.5	91.5	113.5	199	220	286.5
Weight (kg)	2.3	3	4	5.5	7	9.3	14.4	17.5	23.3	36.7	52	78

The following data is for information purpose only and may be subject to alteration without prior notice

762-763 VALVE WITH SA ELECTRIC ACTUATOR

ACTUATION WITH SA

Suggested standard SA actuation under the following conditions:

- Electric actuator with an IP 67 epoxy coated aluminium enclosure and steel gears
- A minimum 1.3 safety factor compared with the valve nominal torque rating
- A fluid temperature below 80 °C
- A maximum pressure differential up/downstream of 10 bar (=ΔP)






Electric actuator mounted with stainless steel bracket and coupler according to the EN 15081 standard

DN	Actuator	Power	Intensity 230 V AC	Intensity 24 V AC/DC	Operating Time*	Standard equipment of the actuator	
15	SA05	6 W	28 mA	1.8 mA	17 s	2 adjustable limit switches 2 dry auxiliary switches 2 W anti-condensation heater Actuator thermal cut-out Manual override by key Backlit position indicator (except for SA-X) Electrical connection: 2 gland packs M20 x 1.5	
20	SA05	6 W	28 mA	1.8 mA	17 s		
25	SA05	6 W	28 mA	1.8 mA	17 s		
40	SA05	6 W	28 mA	1.8 mA	17 s		
15	SA05	6 W	28 mA	1.8 mA	17 s		
50	Refer to 762-763 + NA						
65							
80							
100							

*Unloaded operating time given for information purpose only. May vary depending on the medium
 For any other working conditions, please contact us.

ACTUATION OPTIONS

There are many different options, please contact our commercial department.

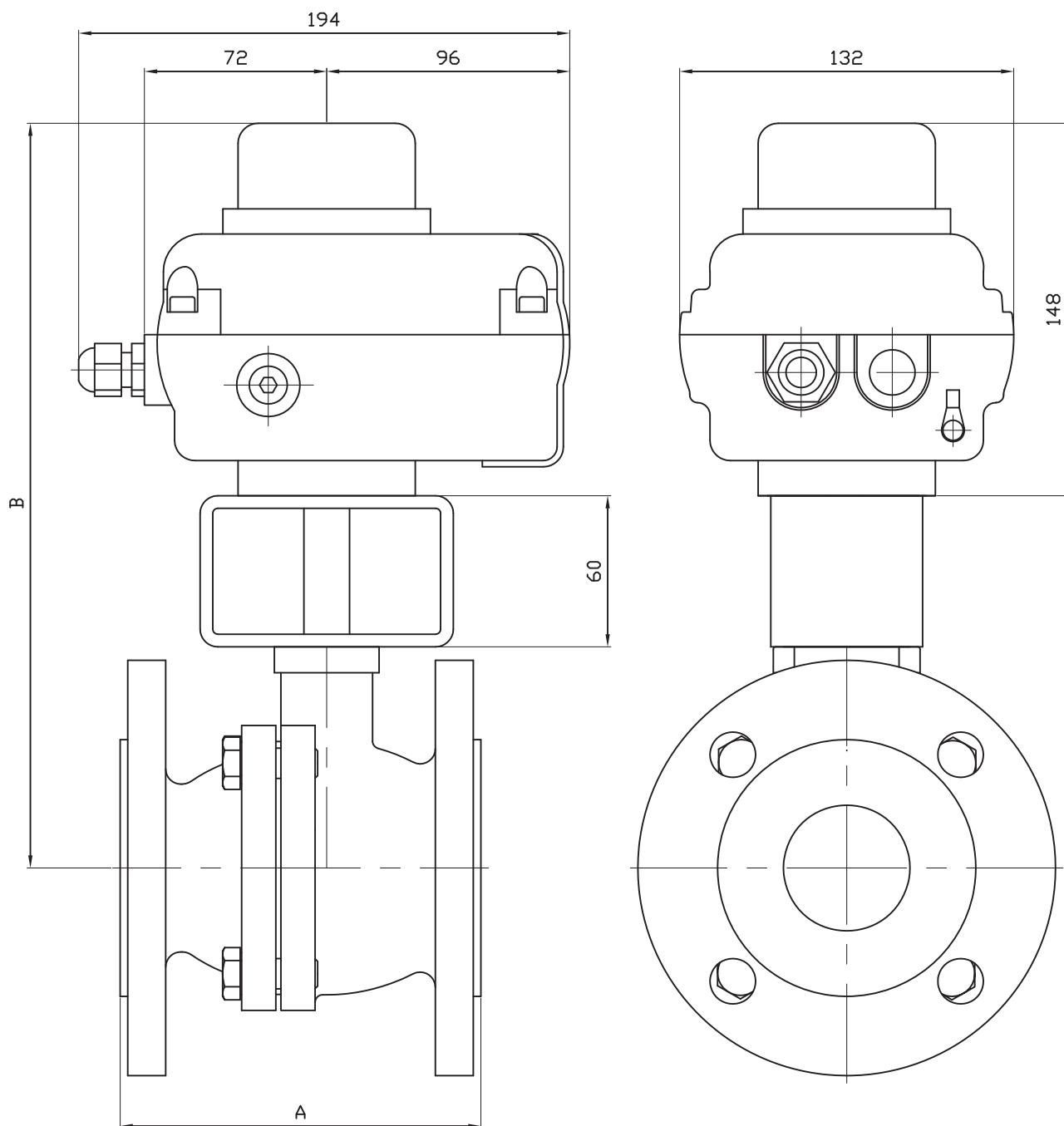
1	2	3	4	5
SA05S: Slow closing electric actuator 70 s	SA05PCU: Regulation actuator 4-20 mA or 0-10 V	SA05RBP: Safety actuator with an integrated battery emergency shutdown	SA05 X: Actuator for use in ATEX zones 1 and 2	SR 05: Safety spring return actuator
				
6	SAPUI electric actuator with a feedback potentiometer			
7	Electric actuator sized for a maximum pressure differential up/downstream over 10 bar (=ΔP)			
8	NA electric actuator with a declutchable manual override by handwheel			

ATEX ZONES INSTALLATION

It is compulsory to specify if the installation of the automatic valve 762-763+SA-X will take place in ATEX zones 1 or 2 while making the order. Our services will proceed to the mounting check, to a grounding strip installation and will edit a mounting certificate. Those operations are performed by our proper engineers. Please contact us for further details. It is also compulsory to follow the ATEX zone mounting and maintenance special instructions for motorized valves. The ATEX gland packs and sealing plugs are not provided. Please use the following codes:

ATEX aluminium gland pack M20x1.5	Code 980179	ATEX aluminium sealing plugs M20x1.5	Code 980180
-----------------------------------	-------------	--------------------------------------	-------------

The following data is for information purpose only and may be subject to alteration without prior notice

762-763 VALVE WITH SA ELECTRIC ACTUATOR


DN	15	20	25	32	40
A	115	120	125	130	140
B	247	250.5	260	264	274
KG	5.6	6.4	7	8.8	10.3

The following data is for information purpose only and may be subject to alteration without prior notice

762-763 VALVE WITH SA ELECTRIC ACTUATOR

GENERAL DESCRIPTION

The SA05 electric actuator is dedicated to the actuation of industrial ¼ turn valve. The torque value is 50 Nm. With a compact design, an IP 67 cast aluminium enclosure and an epoxy protection, the SA electric actuator is especially adapted to the actuation of ball valves and butterfly valves in outdoor or indoor areas. The SA05 is equipped with a visual 3D position indicator and a manual override driven by an Allen key. It complies with the EN 15714-2 standard.

AVAILABLE ITEMS

Voltage: 230 V AC (50-60 Hz), 24 V AC/DC and 12 V DC

IP 67

ISO
9001

CE

LIMITS OF USE

Protection rating	IP 67
Temperature range	-20 °C / +70 °C
Service	S2 - 70%

MECHANICAL CHARACTERISTICS

Gears	Treated steel pinions
Torque	50 Nm
Rotation angle	90° +/-5°
Declutching	N/A
Manual override	Allen key (except for SA05S)



Electric actuator	SA05			SA05S	
	Voltage	230 V AC	24 V AC/DC	12 V DC	230 V AC
Torque	50 Nm				
Operating time	17 s	17 s	17 s	100 s	100 s
ISO 5211 pad	F03/F05/F17 star 14				

ELECTRICAL CHARACTERISTICS

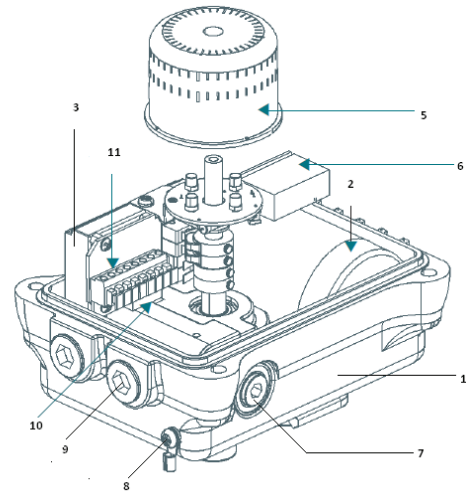
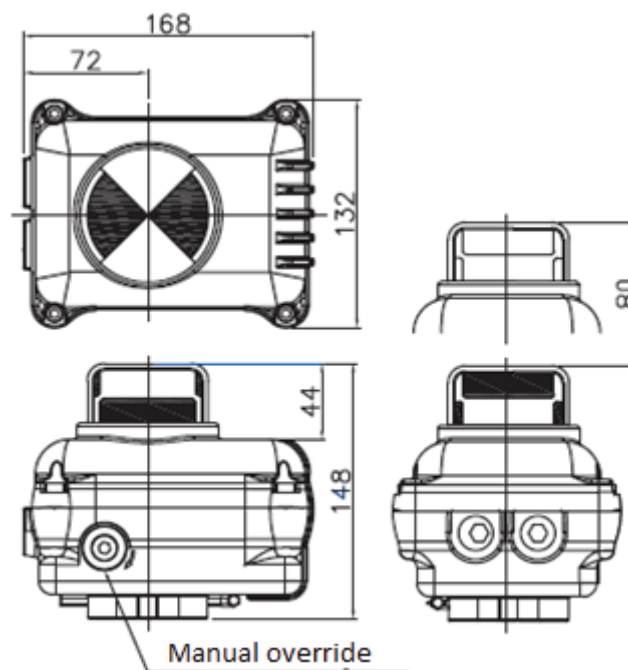
Motor protection	Thermal cut-out	Anti-condensation	2 W heater
Limit switches	2 adjustable switches	Electrical connection	2 gland packs M20x1.5
Auxiliary switches	2 adjustable dry switches		

Electric actuator	SA05			SA05S	
	Voltage	230 V AC	24 V AC/DC	12 V DC	230 V AC
Power	6 W	15 W	15 W	6 W	6 W
Intensity	0.24 A	1.8 A	3.6 A	0.24 A	1.8 A

The following data is for information purpose only and may be subject to alteration without prior notice

762-763 VALVE WITH SA ELECTRIC ACTUATOR
CONSTRUCTION

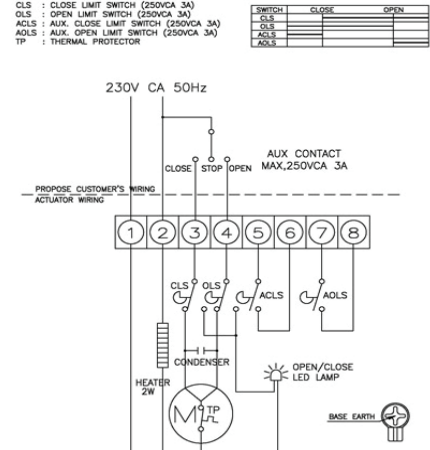
1	Enclosure	Polyester coated aluminium
2	Electric motor	
3	Gear	Treated steel pinions
4	Cover	Polyester coated aluminium
5	Position indicator	Polycarbonate plastic
6	Condenser	
7	Manual override	
8	Connection to ground	
9	Cable inlet	
10	Anti-condensation heater	
11	Terminal block	


DIMENSIONS (mm)


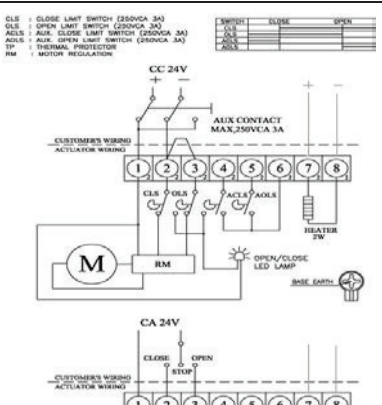
The following data is for information purpose only and may be subject to alteration without prior notice

762-763 VALVE WITH SA ELECTRIC ACTUATOR

WIRING SCHEME 230 V AC

1	Common	<p> CLS : CLOSE LIMIT SWITCH (250VCA 3A) OLS : OPEN LIMIT SWITCH (250VCA 3A) ACLS : AUX. CLOSE LIMIT SWITCH (250VCA 3A) AOLS : AUX. OPEN LIMIT SWITCH (250VCA 3A) TP : THERMAL PROTECTOR </p> 
2	Anti-condensation heater	
3	Closing control	
4	Opening control	
5	Auxiliary switch closing	
6	Auxiliary switch closing	
7	Auxiliary switch opening	
8	Auxiliary switch opening	

WIRING SCHEME 24 V AC/DC

1	Common or +	<p> CLS : CLOSE LIMIT SWITCH (250VCA 3A) OLS : OPEN LIMIT SWITCH (250VCA 3A) ACLS : AUX. CLOSE LIMIT SWITCH (250VCA 3A) AOLS : AUX. OPEN LIMIT SWITCH (250VCA 3A) TP : THERMAL PROTECTOR RM : MOTOR REGULATOR </p> 
2	Closing control	
3	Opening control	
4	Auxiliary switch closing	
5	Auxiliary switch opening	
6	Auxiliary common	
7-8	Anti-condensation heater power supply	

OPTIONS

1	SA05X: ATEX area version
2	SA05PIU: feedback potentiometer version
3	SA05CPT: 4-20 mA position transmitter version
4	SA05PCU: 0-10, 2-10 V, 2-20 mA, 4-20 mA regulation card version
5	SA05LCU: local control version
6	SA05RBP: integrated battery emergency shutdown device version

The following data is for information purpose only and may be subject to alteration without prior notice