



**756-757 VALVE WITH NA ELECTRIC
ACTUATOR**

Model/Ref: 274322023310



*Partnership.
Without Limits.*

www.lauridsenindustri.dk

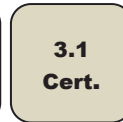
756-757 VALVE WITH NA ELECTRIC ACTUATOR

CHARACTERISTICS

The 756-757+NA ball valve is dedicated to the automatic opening/shut-off of pipes carrying unloaded industrial fluids with a maximum 20 bar pressure. This full bore split body ball valve is certified according to the following standards: 97/23/EC, ATEX, Firesafe and ISO 15848-1 (for fugitive emissions). The valve complies with the EN 558-1 series 27 face-to-face standards. The ISO 5211 pad allows a direct mounting of the NA actuator. It is perfectly suitable for an indoor or outdoor industrial use.

AVAILABLE ITEMS

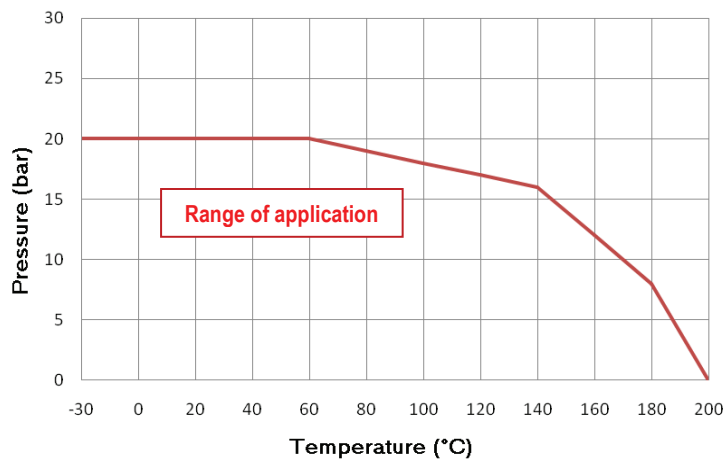
756: A216 WCB carbon steel body
 757: A351 CF8M stainless steel body
 DN 15 to DN 150
 Flanged connections RF ANSI 150
 Voltages: 24 V AC/DC, 230 V AC, 3~400 V AC



with NA-X

LIMITS OF USE

Max. allowable pressure (PS)	20 bar (20 °C)
Min./max. allowable temperature (TS)	Steel: -20 °C / +200 °C Stainless steel: -30 °C / +200 °C
Room temperature	-20 °C / +70 °C
Service	S2 – 70%



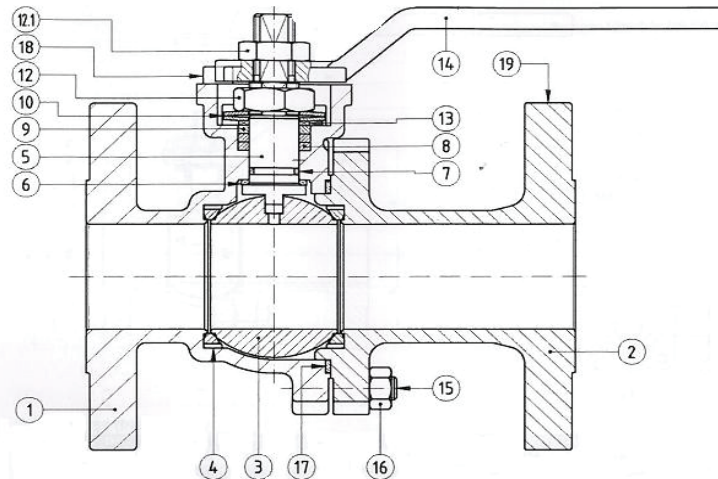
The following data is for information purpose only and may be subject to alteration without prior notice

756-757 VALVE WITH NA ELECTRIC ACTUATOR

DIRECTIVES AND DEVELOPMENT STANDARDS APPLICABLE

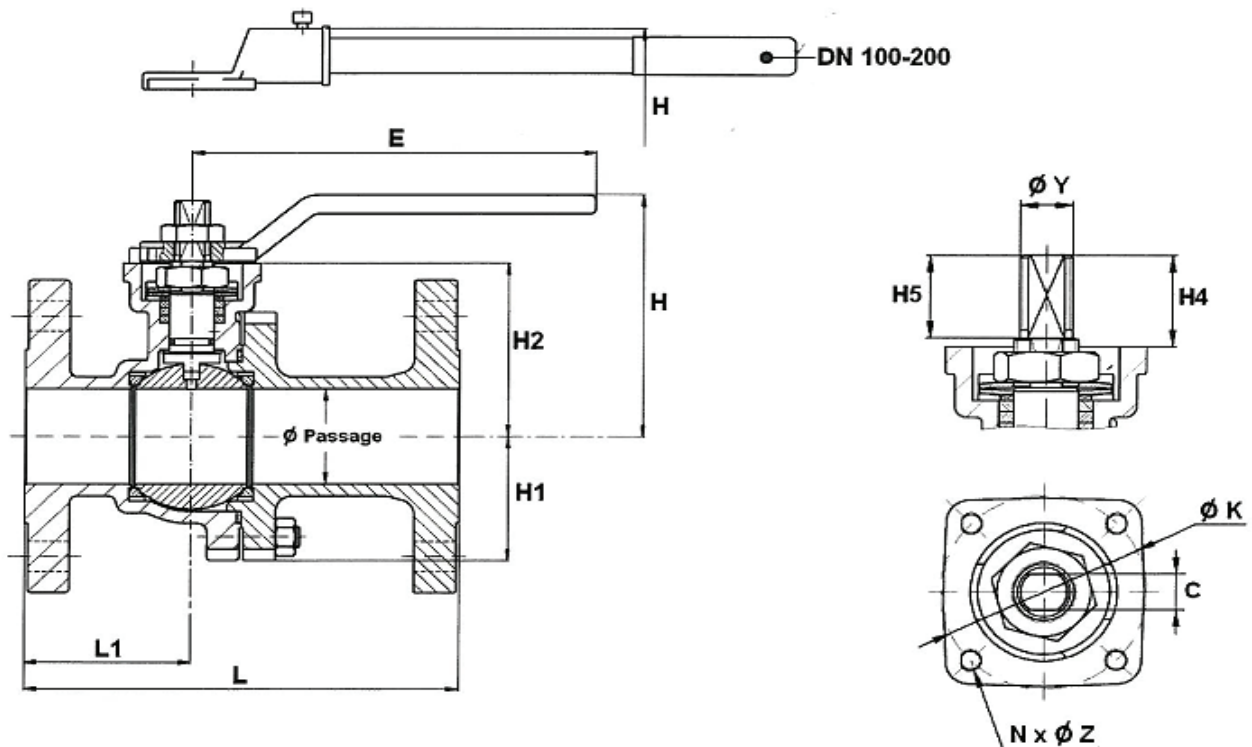
	Standard	Notified bodies		Standard
97/23/EC Pressure Equipment Directive	DN 15 and 20 : excluded		Valve testing	API 598
	DN 25 to 100 : category III	BV #0062	Corrosion resistance	NACE MR 01.75
Conception	EN 1983 and ISO 17292		Specification for Pipeline Valves	API 6D
Shell design	ANSI B16.34		Alloy grade	EN 1503-1
Flanges dimension	ANSI B16.5		Face-to-face dimensions	ANSI B16.10 LP
Fire testing	ISO 10497 (2004)		Fugitive emissions	EN 15848-1
Actuator attachment	ISO 5211			
ATEX Directive	EN 13463-1		II 2G/D Tx zones 1,2,21 and 22	
	Actuator (SA-X option)	KEMA #0344	II 2G EEx d II C T4 for zones 1 and 2	

CONSTRUCTION



#	Item	756 CS	757 SS	#	Item	756 CS	757 SS
1	Body	Carbon steel A216 WCB	Stainless steel A351 CF8M	12	Gland pack nut	SS 303	
2	Ends	Carbon steel A216 WCB	Stainless steel A351 CF8M	12.1	Lever nut	SS 303	
3	Ball	Stainless steel A351 CF8M		13	Anti-friction ring	PTFE+25% Graphite	
4	Seat	PTFE / TFM 1600		14	Lever	Ductile iron	
5	Stem	SS 316		15	Bolts	A193 B7M	A193 B8M
6	Washer	PTFE+25% Graphite		16	Bolt nuts	A193 2HM	A194 8M
7	Stem O-ring	FKM		17	Body gasket	SS + PTFE + Graphite	
8	Gland pack	Graphite		18	End stop screw	A2	
9	Gland follower	SS 303		19	Plate	SS	
10	Belleville spring washer	Inconel 718					

The following data is for information purpose only and may be subject to alteration without prior notice

756-757 VALVE WITH NA ELECTRIC ACTUATOR
DIMENSIONS(mm)


DN	15	20	25	40	50	65	80	100	150
Ø	15	20	25	40	50	65	78	100	151
L	108	117	127	165	178	190	203	229	394
L1	47	50	52	65	61	75	78.5	90	174
E	170	170	170	215	215	350	450	466	775
H	68	70	86	122.5	127.5	140	190	192.5	259
H1	31	33	39	48	63	78	87	108	152
H2	41	43	58.5	86.5	91.5	104	118.5	144	203
H4	18	18	22	33	33	34	34	45	56
H5	11	11	21	32	32	33	33	43.5	54.5
Ø Y	M10	M10	M12	M18	M18	M22	M22	M28	M36
Ø K	50	50	50	70	70	70	102	102	125
ISO	F05	F05	F05	F07	F07	F07	F10	F10	F12
N x Ø Z	4xM6	4xM6	4xM6	4xM8	4xM8	4xM8	4xM10	4xM10	4xM12
Weight (kg)	2.4	3.2	4.1	8.1	10.6	13.3	19.1	25.6	63.5

FLOW FACTOR Kv (m³/h)

DN	15	20	25	40	50	65	80	100	150
Kv	20	40	75	170	270	550	1000	1650	4200

The following data is for information purpose only and may be subject to alteration without prior notice

756-757 VALVE WITH NA ELECTRIC ACTUATOR

ACTUATION WITH NA

Suggested standard NA actuation under the following conditions:

- Electric actuator with an IP 67 epoxy coated aluminium enclosure and steel gears
- A minimum 1.3 safety factor compared with the valve nominal torque rating,
- A maximum pressure differential up/downstream of 10 bar (=ΔP)






Electric actuator mounted with stainless steel bracket and coupler according to the EN 15081 standard

DN	Actuator	Power	Operating Time*	
15	Refer to 756-757 + SA actuator			
20				
25				
40				
Standard equipment of the actuator				
50	NA09	25 W	17 s	2 adjustable limit switches + 2 dry auxiliary switches 20 W anti-condensation heater Visual position indicator Actuator thermal cut-out (NA09) Torque limiter (NA15 to NA38) Electrical connection: 2 gland packs M20 x 1.5 Manual override by declutchable handwheel
65	NA09	25 W	17 s	
80	NA15	40 W	20 s	
100	NA28	40 W	20 s	
150	NA38	60 W	24 s	

*Unloaded operating time given for information purpose only. May vary depending on the medium
 For any other working conditions, please contact us.

ACTUATION OPTIONS

There are many different options, please contact our commercial department.

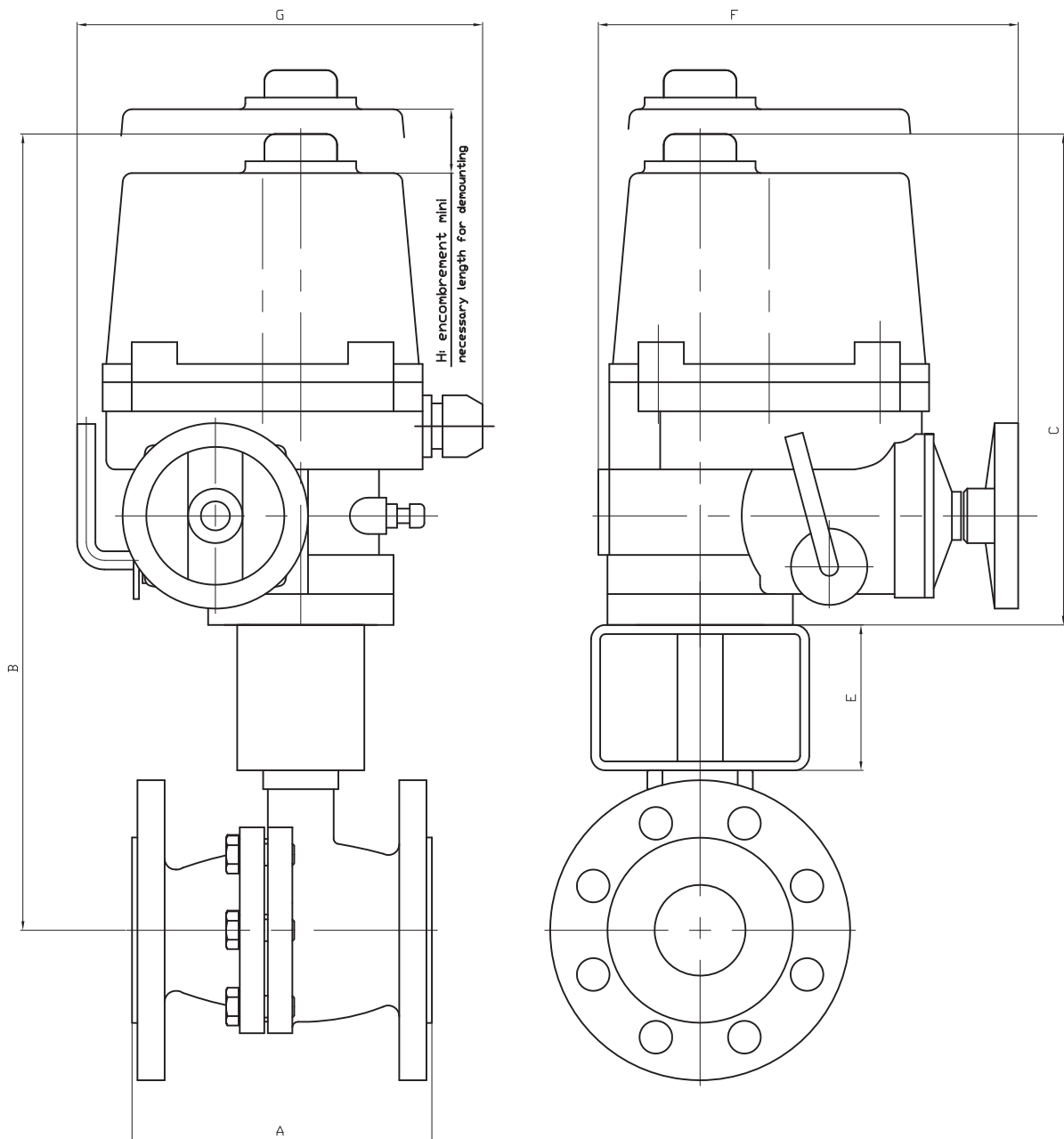
1	2	3	4	5
NALCU: Actuator with a local control	NAPCU: Regulation actuator 4-20 mA or 0-10 V	NARBP: Safety actuator with an integrated battery emergency shutdown	NA-X: Actuator for use in ATEX zones 1 and 2	SR: Safety spring return actuator
				
6	Electric actuator sized for a maximum pressure differential up/downstream over 10 bar (=ΔP)			
7	NA electric actuator with a declutchable manual override by handwheel			

ATEX ZONES INSTALLATION

It is compulsory to specify if the installation of the automatic valve 756-757+NA-X will take place in ATEX zones 1 or 2 while making the order. Our services will proceed to the mounting check, to a grounding strip installation and will edit a mounting certificate. Those operations are performed by our proper engineers. Please contact us for further details. It is also compulsory to follow the ATEX zone mounting and maintenance special instructions for motorized valves. The ATEX gland packs and sealing plugs are not provided. Please use the following codes:

ATEX aluminium gland pack M20x1.5	Code 980179	ATEX aluminium sealing plugs M20x1.5	Code 980180
-----------------------------------	-------------	--------------------------------------	-------------

The following data is for information purpose only and may be subject to alteration without prior notice

756-757 VALVE WITH NA ELECTRIC ACTUATOR


DN	50	65	80	100	150
TYPE	NA09	NA09	NA15	NA28	NA38
A	178	190	203	229	394
B	406.5	419	453.5	526	585
C	255	255	255	302	302
E	60	60	80	80	80
F	231	231	261	285	285
G	223	223	266	300	300
H	108	108	108	130	130

The following data is for information purpose only and may be subject to alteration without prior notice

756-757 VALVE WITH NA ELECTRIC ACTUATOR

GENERAL CHARACTERISTICS

The NA electric actuator is dedicated to the actuation of industrial ¼ turn valve. The maximum torque value is 2500 Nm. With a compact design, an IP 67 cast aluminium enclosure and an epoxy protection, the NA electric actuator is especially adapted to the actuation of ball valves and butterfly valves in dusty outdoor or indoor areas. It is equipped with a declutchable manual override and a torque limiter (except on NA06 and NA09). Many options are available. The NA-X version can be used in explosive areas 1 and 2 and complies with the EN 15714-2 standard.

AVAILABLE MODELS

NA06: 60 Nm to NA250: 2500 Nm

Voltage: 230 V AC, 400 V AC, 24 V AC, 24 V DC



NA-X Version

IP 67

ISO
9001



LIMITS OF USE

Version	NA	NA-X
Protection rating	IP 67	
Temperature range	-20 °C / +70 °C	-20 °C / +55 °C
Service	S2-70%	
Explosive areas	Forbidden	Zone 1 and 2

MECHANICAL CHARACTERISTICS

Gears	Treated steel pinions
Rotation angle	90° +/- 5°
Declutching	Lever
Manual override	Handwheel
Torque limiter	Except for NA06 and NA09



Electric actuator	NA06	NA09	NA15	NA28	NA38	NA60	NA100	NA150	NA200	NA250
Torque	60 Nm	90 Nm	150 Nm	280 Nm	380 Nm	600 Nm	1000 Nm	1500 Nm	2000 Nm	2500 Nm
Operating time	17 s	17 s	20 s	24 s	24 s	29 s	29 s	87 s	87 s	87 s
ISO 5211 pad	F07	F07	F07/F10	F10/F12	F10/F12	F12/F14	F12/F14	F14/F16	F14/F16	F14/F16
Star drive nut	17	17	17	22	27	27	27	36	36	46

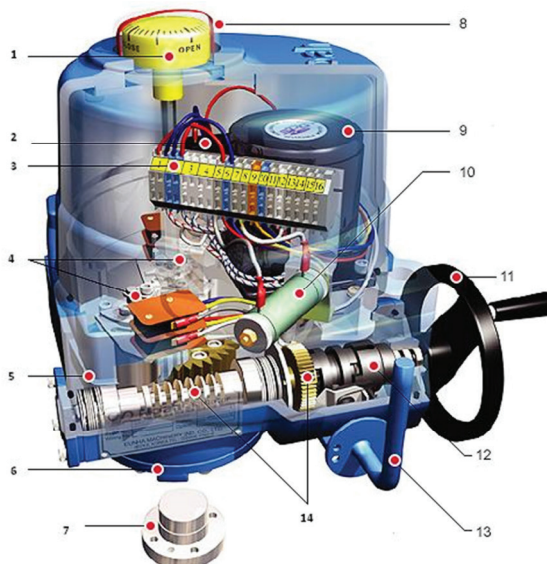
DIRECTIVES AND DEVELOPMENT STANDARDS APPLICABLE

Machine 2006/42/EC	Actuator attachments : ISO 5211
Low Voltage Directive 2006/95/EC	Electromagnetic compatibility 2004/108/EC
ATEX 1994/9/EC: ATEX II 2 G EEx d II B T4 – NEMKO 03ATEX1342X (NA-X electric actuator only)	

The following data is for information purpose only and may be subject to alteration without prior notice

756-757 VALVE WITH NA ELECTRIC ACTUATOR
CONSTRUCTION

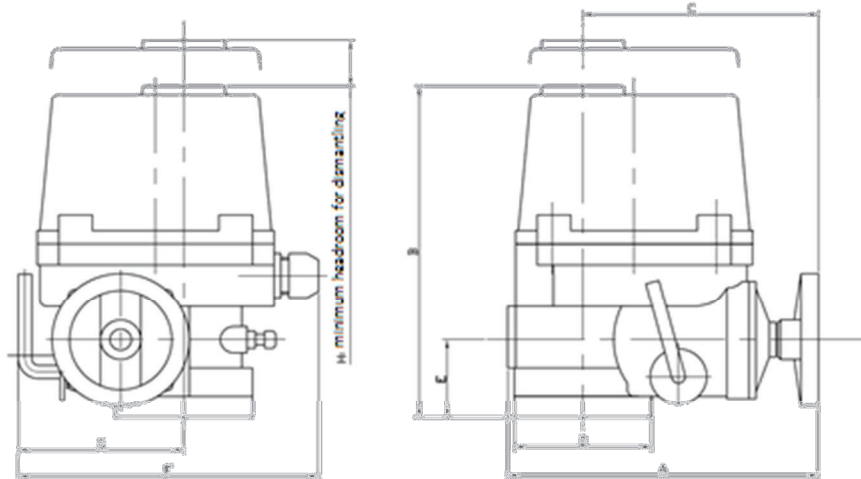
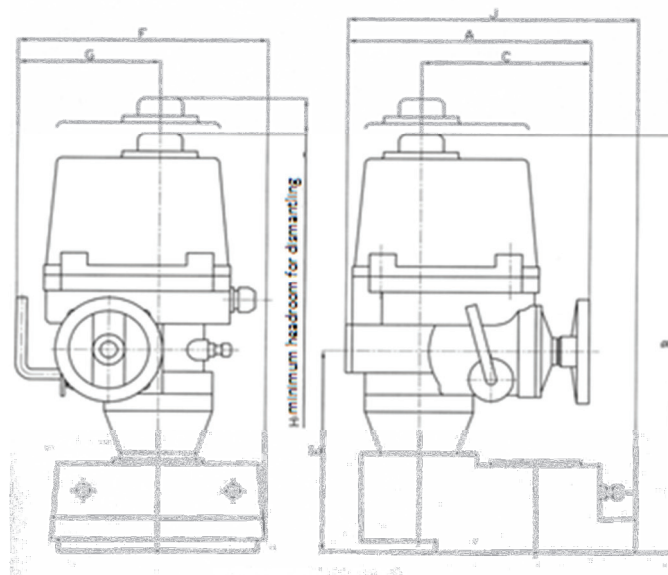
1	Position indicator	Polycarbonate
2	Condenser	
3	Terminal block	
4	Limit switches	
5	Body / cover	Aluminium alloy
6	Base / enclosure	Aluminium alloy
7	Drive nut	Steel
8	Dome	Polycarbonate
9	Electric motor	
10	Anti-condensation heater	
11	Handwheel	Steel
12	Manual override	Steel
13	Declutching lever	Steel
14	Worm gear	Steel


ELECTRICAL CHARACTERISTICS

Motor Protection	Thermal cut-out	Anti-condensation	20 W heater
Limit switches	2 adjustable switches	Electrical connection	2 gland packs M20x1.5
Auxiliary switches	2 dry adjustable switches		

Electric actuator	NA06	NA09	NA15	NA28	NA38	NA60	NA100	NA150	NA200	NA250
Power	15 W	25 W	40 W	40 W	60 W	90 W	180 W	98 W	180 W	180 W
Voltage	380 V – 50 Hz									
Hold current	0.13 A	0.18 A	0.3 A	0.3 A	0.33 A	0.52 A	0.73 A	0.52 A	0.73 A	0.73 A
Inrush current	0.23 A	0.36 A	0.59 A	0.74 A	0.78 A	1.24 A	1.68 A	0.78 A	1.68 A	1.68 A
Voltage	220 V – 50 Hz									
Hold current	0.45 A	0.58 A	0.95 A	0.95 A	1.3 A	1.5 A	2.15 A	1.5 A	2.15 A	2.15 A
Inrush current	0.63 A	0.89 A	1.12 A	1.37 A	1.85 A	2.34 A	3.4 A	2.34 A	3.4 A	3.4 A
Voltage	24 V – 50 Hz									
Hold current	3.2 A	4.3 A	6.5 A	8.1 A						
Inrush current	6 A	8 A	12 A	14 A						
Voltage	24 V DC									
Hold current	2.2 A	3.5 A	4.5 A	6.5 A						
Inrush current	4.1 A	4.1 A	6.6 A	13.8 A						

The following data is for information purpose only and may be subject to alteration without prior notice

756-757 VALVE WITH NA ELECTRIC ACTUATOR
DIMENSIONS (mm)
NA06 to NA100

NA150 to NA250


NA	A	B	C	D	E	F	G	H
NA06 - NA09	231	255	175	102	60	223	113	108
NA15	261	255	184	120	60	266	139	108
NA28 - NA38	285	302	202	145	70	300	159	130
NA60 - NA100	325	343	226	175	78	349	191	178
NA150 - NA200 - NA250	325	556	226	-	273	388	191	178

The following data is for information purpose only and may be subject to alteration without prior notice

756-757 VALVE WITH NA ELECTRIC ACTUATOR**OPTIONS**

1	NAPIU : feedback potentiometer version
2	NACPT: 4-20 mA position transmitter version
3	NAPCU: 0-10, 2-10 V, 2-20 mA, 4-20 mA regulation card version
4	NALCU: local control version
5	NARBP: integrated battery emergency shutdown device version
6	Earthquake simulation test
7	Low temperature version (-40 °C)
8	IP 68 version
9	Rotation angles 120°, 135°, 180°, 270°

The following data is for information purpose only and may be subject to alteration without prior notice