



BRASS EXPRESS COUPLING PN10

Model/Ref: 2280-2288



*Partnership.
Without Limits.*

www.lauridsenindustri.com

BRASS EXPRESS COUPLING PN10 (2280-2288)

Size : DN 1/4" to DN 1"1/4

Ends : Female, Male and hose coupling

Min Temperature : - 5°C

Max Temperature : + 60°C

Max Pressure : 10 Bars

Specifications : Brass coupling

NBR coupling

NFE 29573 standard

Materials : Brass

BRASS EXPRESS COUPLING PN10 (2280-2288)
SPECIFICATIONS :

- Brass coupling
- NBR gasket (only for Ref. 2280-2283)
- NFE 29573 standard
- Between claws 41 mm

USE :

- Water and compressed air
- Min and max Temperature Ts : - 5°C to + 60°C
- Max Pressure PN : 10 Bars

RANGE :

- Hose coupler with NBR gasket **Ref.2280** from DN 7 to DN 25
- Male coupler threaded BSP with NBR gasket **Ref.2281** from DN 1/4" to DN 1"1/4
- Female coupler threaded BSP with NBR gasket **Ref.2282** from DN 1/4" to DN 1"1/4
- Cap coupler with NBR gasket **Ref.2283**
- Hose coupler without gasket **Ref.2285** from DN 7 to DN 25
- Male coupler threaded BSP without gasket **Ref.2286** from DN 1/4" to DN 1"1/4
- Female coupler threaded BSP without gasket **Ref.2287** from DN 1/4" to DN 1"1/4
- Cap coupler without gasket **Ref.2288**
- Steel Claw camps **Ref. 98440** from DN 7 to DN 25
- NBR standard gasket Ø 20 mm **Ref. 9830984**
- NBR reduced bore gasket Ø 15 mm **Ref. 9830983**

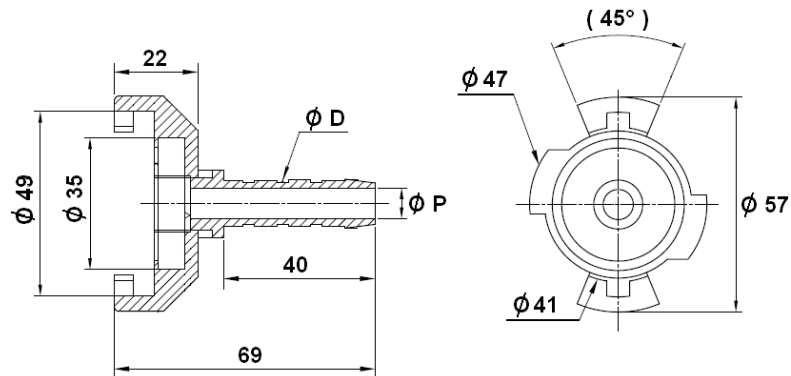
MATERIALS :


Designation	Materials
Body	Brass
Gasket	NBR

BRASS EXPRESS COUPLING PN10 (2280-2288)

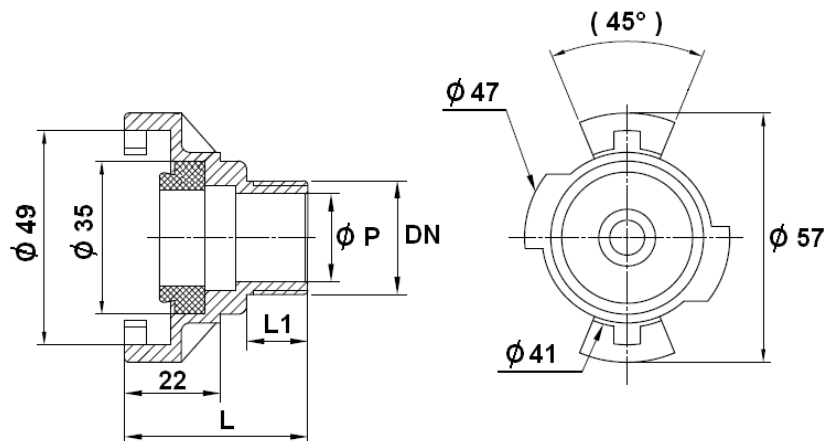
SIZE (in mm) :

- Hose coupler Ref.2280 and 2285



Ref.	DN	7	9	11	13	16	19	22	25
2280	Ø D	7.4	9	11	13	16	19	22	25
2285	Ø P	5.5	6	8	10	12	15	18	21
2280	Weight (Kg)	0.102	0.111	0.108	0.114	0.117	0.135	0.136	0.156
2285	Weight (Kg)	0.108	0.106	0.103	0.109	0.112	0.130	0.131	0.151

- Male coupler Ref. 2281 and 2286

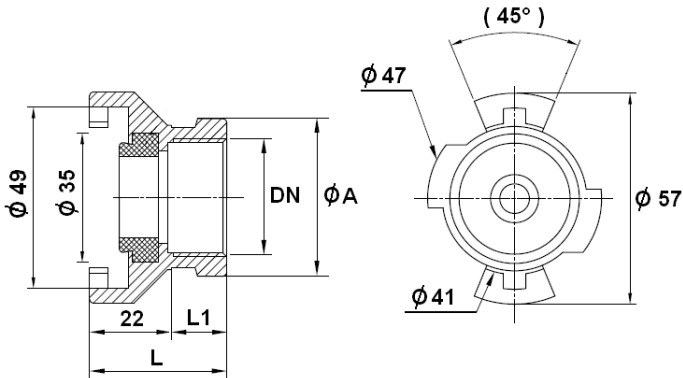


Ref.	DN	1/4"	3/8"	1/2"	3/4"	1"	1 1/4"
2281	Ø P	8	10	15	20	25	32
2286	L	38	39	42	42	42	47
	L1	10.5	11	14	14	14	17
2281	Weight (Kg)	0.097	0.106	0.110	0.110	0.127	0.180
2286	Weight (Kg)	0.092	0.101	0.105	0.105	0.122	0.175

BRASS EXPRESS COUPLING PN10 (2280-2288)

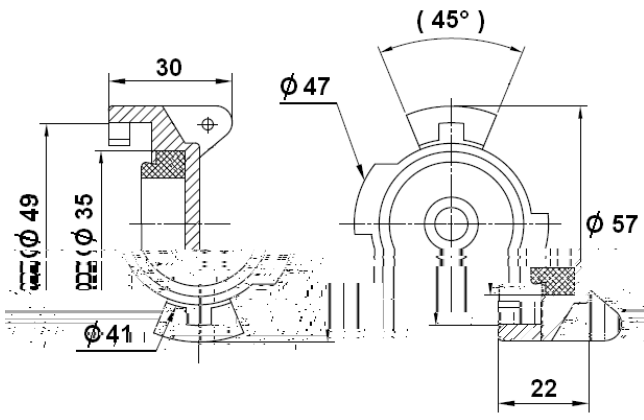
SIZE (in mm) :

- Female coupler Ref. 2282 and 2287



Ref.	DN	1/4"	3/8"	1/2"	3/4"	1"	1 1/4"
2282	Ø A	18.5	22.5	27.5	34.5	42.5	52
2287	L	33	33	33	36	37	44
	L1	11	11	11	14	14.5	16
2282	Weight (Kg)	0.095	0.097	0.097	0.120	0.130	0.190
2287	Weight (Kg)	0.090	0.092	0.092	0.115	0.125	0.185

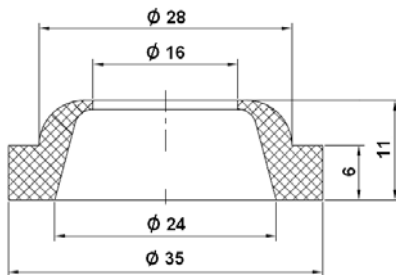
- Cap coupler Ref.2283 and 2288



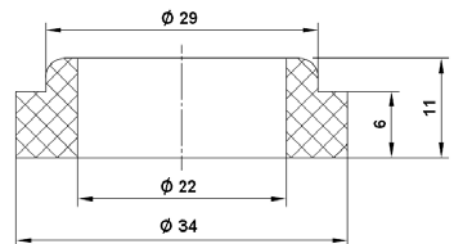
Ref.	DN	Tous
2283	Weight (Kg)	0.100
2288	Weight (Kg)	0.095

- NBR gasket Ref.983098

Reduced bore black NBR gasket Ref. 9830983



Standard black NBR gasket Ref. 9830984



BRASS EXPRESS COUPLING PN10 (2280-2288)

SIZE (in mm) :

- Steel claw camps Ref.98440



REF.	DN	15	17	20	23	26	29	32	36	38
98440	Ø External	14/16	16/18	19/21	22/24	25/27	28/30	31/33	34/37	37/39
	Ø Internal	7	9	10	11	13	16-19	19	22	25
	Weight (Kg)	0.037	0.040	0.040	0.047	0.057	0.061	0.072	0.077	0.117

STANDARDS :

- Fabrication according to ISO 9001 : 2008
- Directive 97/23/CE : Products excluded from directive (Article 1, § 3.2)
- Designing according to NFE 29573
- Thheaded BSP according to NF EN ISO 228-1

This information is given informally. It can be modified at any time