



Model/Ref: 2290-2293



*Partnership.
Without Limits.*



STAINLESS STEEL EXPRESS COUPLING (2290-2293)



Size : DN 1/2" to 1"
Ends : Female , Male and hose coupling
Min Temperature : - 5°C
Max Temperature : + 150°C
Max Pressure : 10 Bars
Specifications : Stainless steel type
FKM gasket 60 Sh. hardness
Between claws 41 mm

Materials : Stainless steel



STAINLESS STEEL EXPRESS COUPLING (2290-2293)

SPECIFICATION :

•
•

USE :

•
•

RANGE :

•
•
•

MATERIALS:

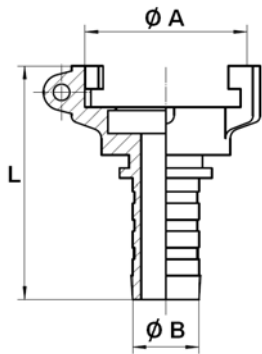




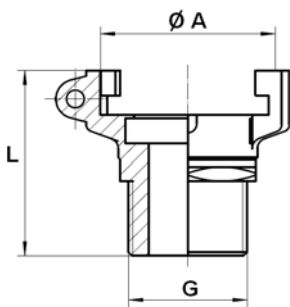
STAINLESS STEEL EXPRESS COUPLING (2290-2293)

SIZE (in mm):

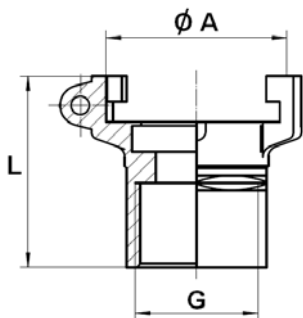
•



•



•

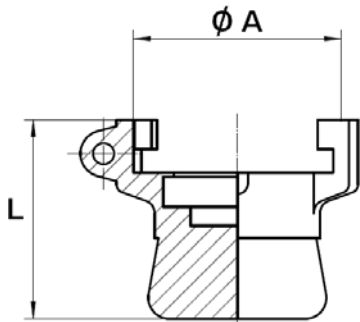




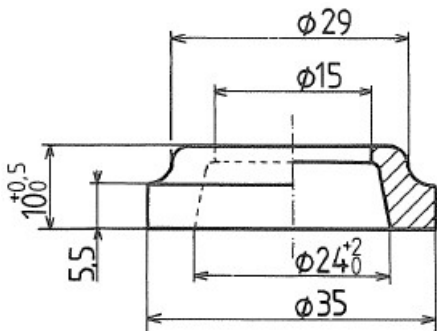
STAINLESS STEEL EXPRESS COUPLING (2290-2293)

SIZE (in mm) :

•



•



STANDARDS :

•

•

This information is given informally. It can be modified at any time