



**KNIFE GATE-VALVE WITH AUMA
ELECTRIC ACTUATOR**

Model/Ref: 440004027015



*Partnership.
Without Limits.*

www.lauridsenindustri.dk

KNIFE GATE-VALVE WITH AUMA ELECTRIC ACTUATOR

MAIN CHARACTERISTICS

The S-GATE knife gate valves are dedicated to automatic shut off of lines and tanks of heavy fluids, slurries and powders. Standard applications for these valves are water treatment, pulp and paper industry, cement industry, bulk handling, and food industry. The AUMA electric actuator allows the remote control of the valve. It can be installed outside due to the IP67 protection. This actuator has a manual handwheel, a torque limiter, 4 limits switches, and a 20W heating resistance. The stem is protected with a cap.

AVAILABLE MODELS

S-GATE 170 : cast iron body, stainless steel gate, NBR seat

S-GATE 172 : stainless steel body and gate, EPDM seat

S-GATE 176 : cast iron body, stainless steel gate, metal seat (no tightness: 2% kvs loss)

S-GATE 170 : cast iron body, stainless steel gate, NBR seat, bi-directional tightness

DN50 to DN300, fitting with flanges EN 1092 PN10 (optional flanges ANSI 150)

230V AC (single-phase) or 400V AC (three-phase) power supplies


 IP 67


LIMITS OF USE

Pressure of fluid : PS	DN50 to DN200	10 bar
	DN250	8 bar
	DN300	6 bar
Temperature of fluid : TS	See below	
Ambient temperature	-25°C / +55°C	
Ingress Protection rating	IP67	
Duty rating	S4-25% / 10 cycles per h.	

TS / Siège	NBR	EPDM	FKM	PTFE	METAL
170 – 178: cast iron	-10°C +80°C	+0°C +110°C	-10°C +150°C	+0°C +180°C	-
172: stainless steel					
176: cast iron	-	-	-	-	-10°C +90°C
176 : cast iron + graphite gland pack	-	-	-	-	-10°C +200°C



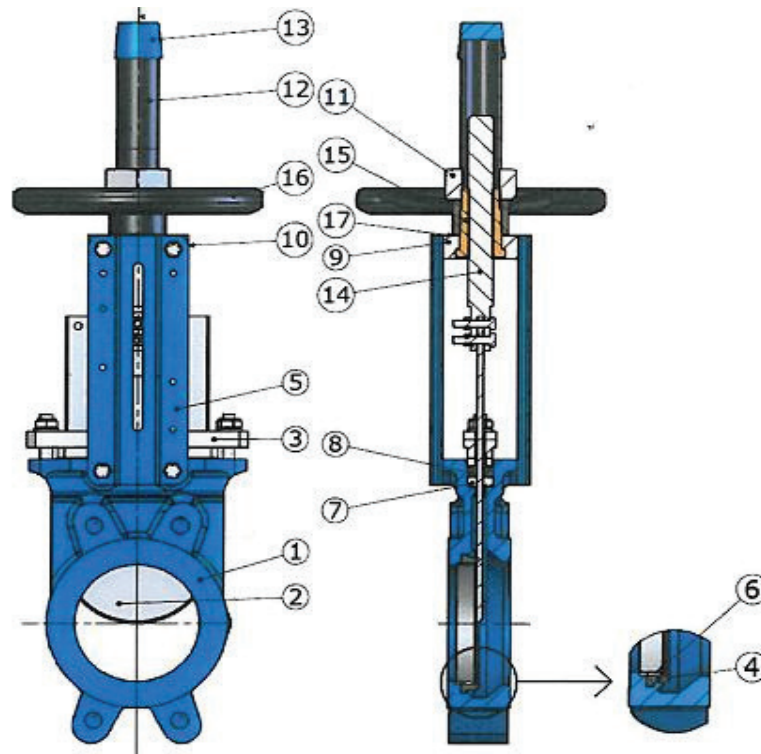
The following data is for information purpose only and may be subject to alteration without prior notice

KNIFE GATE-VALVE WITH AUMA ELECTRIC ACTUATOR

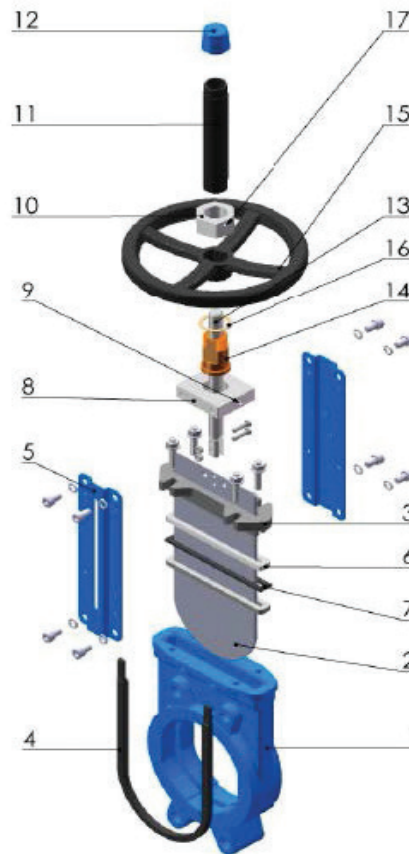
STANDARDS OF CONSTRUCTION

	Standard		Standard
97/23/CE Pressure Equipment Directive	Category I module A	Actuator connection	ISO 5211
Flanges dimensions	EN 1092-2	Final testing	EN 12266-1
Flanges dimensions ANSI	ANSI B16.5		

UNIDIRECTIONAL CONSTRUCTION

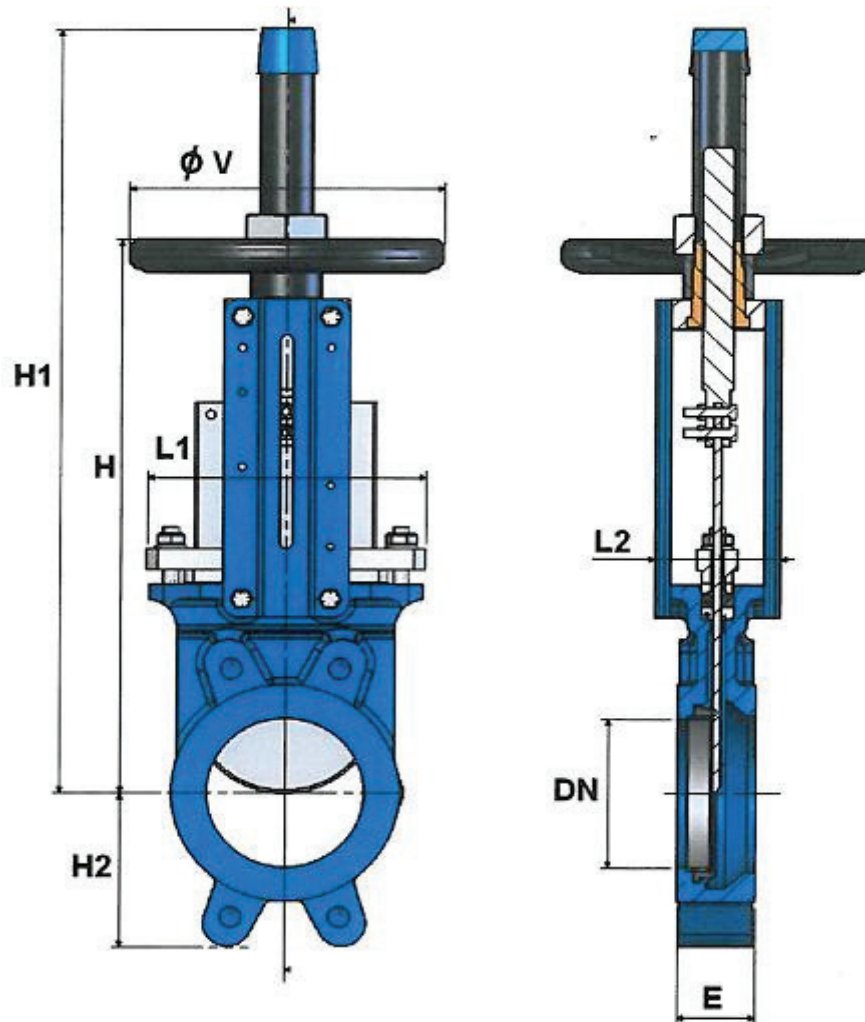


N°	Item	S-170 CAST IRON	S-176 CAST IRON	S-172 STAINLESS STEEL
1	Body	EN-GJL 250 cast iron		1.4408 stainless steel
2	Gate	AISI 304 stainless steel		AISI 316 stainless steel
3	Packing gland DN50-200	Aluminium		1.4408 stainless steel
3	Packing gland DN250-300	EN-GJL 250 cast iron		1.4408 stainless steel
4	Seat	NBR	METAL	EPDM
5	Bracket	Epoxy coated carbon steel		Epoxy coated carbon steel
6	Seat retainer	AISI 304 stainless steel		AISI 316 stainless steel
7	Packing	PTFE		PTFE
8	O-ring	NBR		EPDM
9	Support plate	Carbon steel		
10	Grease box	Steel		
11	Handwheel nut	Steel		
12	Stem cap	Steel		
13	Cap	Plastic		
14	Stem	AISI 303 stainless steel		
15	Stem nut	Bronze		
16	Handwheel	Steel		
17	Friction washer	Brass		

KNIFE GATE-VALVE WITH AUMA ELECTRIC ACTUATOR
BIDIRECTIONAL CONSTRUCTION


N°	Item	S-178 CAST IRON
1	Body	EN-GJL 250 cast iron
2	Gate	AISI 304 stainless steel
3	Packing gland DN50-200	Aluminium
3	Packing gland DN250-300	EN-GJL 250 cast iron
4	Seat	NBR
5	Bracket	Epoxy coated carbon steel
6	Seat retainer	NBR
7	O-ring	PTFE
8	Support plate	Carbon steel
9	Grease box	Steel
10	Handwheel nut	Steel
11	Stem cap	Steel
12	Cap	Plastic
13	Stem	Stainless steel AISI 303
14	Stem nut	Bronze
15	Handwheel	Steel
16	Friction washer	Brass
17	Screw	Stainless steel AISI 304

The following data is for information purpose only and may be subject to alteration without prior notice

KNIFE GATE-VALVE WITH AUMA ELECTRIC ACTUATOR
DIMENSIONS (mm)


Size	50	65	80	100	125	150	200	250	300
E	40	40	50	50	50	60	60	70	70
H	289	316	342	382	415	458	575	676	776
H1	409	436	462	502	585	637	815	1016	1116
H2	63	70	92	105	120	130	160	198	234
L1	124	139	154	174	192	217	270	326	380
L2	92	92	92	92	102	102	119	119	119
φ V	185	185	185	185	225	225	325	325	380
170 -Wg (kg)	6,5	7,1	8,5	9,8	12,7	16,1	26,8	43,5	57,5
172 -Wg (kg)	6,5	7,8	8,5	10	12,7	15,8	27,8	44,6	58,6

The following data is for information purpose only and may be subject to alteration without prior notice

KNIFE GATE-VALVE WITH AUMA ELECTRIC ACTUATOR

ACTUATION WITH AUMA

The actuation with AUMA is offered with following characteristics:

- IP 67 actuator with aluminium epoxy coated housing and steel gearbox,
- Max. upstream / downstream pressure differential $\Delta P=10$ bar.
- Direct connection between valve and actuator following ISO 5211 - F10

The operators are protected from the movement of the gate through side covers.

Size	Actuator	Power (W)	Starting current (A)	Rated current (A)	Speed (t/min)	Operating time (s)*
50	SA07.2	100	2.4	1.0	45	36 s
65						42 s
80						54 s
100						66 s
125	SA07.6	200	4.6	1.6	45	84 s
150						102 s
200						108 s
250						132 s
300	SA10	400	8.5	2.5	45	162 s
350						156 s
400						180 s

For any other working conditions, please consult.

*indicative operating time without pressure

OPTIONS FOR THE ACTUATOR

n°	
1	Feedback potentiometer
2	Local control

OPTIONS FOR THE VALVE

n°	
1	NBR, EPDM, PTFE, FKM, metal-metal seats
2	HT graphited packing
3	Flow deflector
4	Flanges ANSI 150 connections
5	PN25 body
6	Flushing holes

The following data is for information purpose only and may be subject to alteration without prior notice