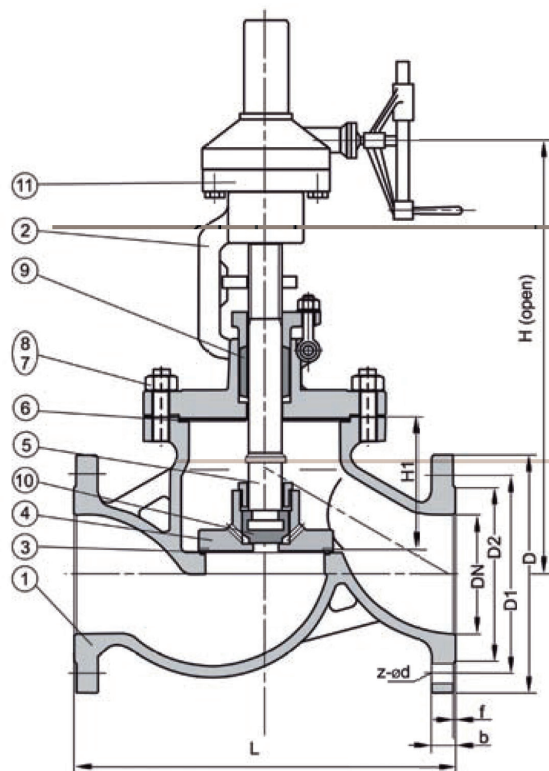




## Stop Valve PN 16 Flange Straight WCB

Model/Ref: 471762



*Partnership.  
Without Limits.*

[www.lauridsenindustri.com](http://www.lauridsenindustri.com)

**Stop Valve PN 16 Flange Straight WCB**

No	Part	Material
1		
2		
3		
4		
5		
6		
7		
8		
9		
10		
11		

z-ød  
-  
\_\_\_\_\_

DN	L	H	H1	-	D	D1	D2	b	f	z-ød	Weight Kg
200											
250											
300											
350											