

UNIVERSAL FLANGE ADAPTOR WITH STOP FOR RIGID PIPES



ISO 9001:2015



Size : DN 50 to DN 400
Ends : Flanges PN10/16
Min Temperature : + 0°C
Max Temperature : + 60°C
Max Pressure : 16 Bars
Specifications : Ductile iron body
EPDM gasket
Installation on pipe without dismantling coupling
With stop

Materials : Ductile iron EN GJS-500-7

UNIVERSAL FLANGE ADAPTOR WITH STOP FOR RIGID PIPES

SPECIFICATIONS :

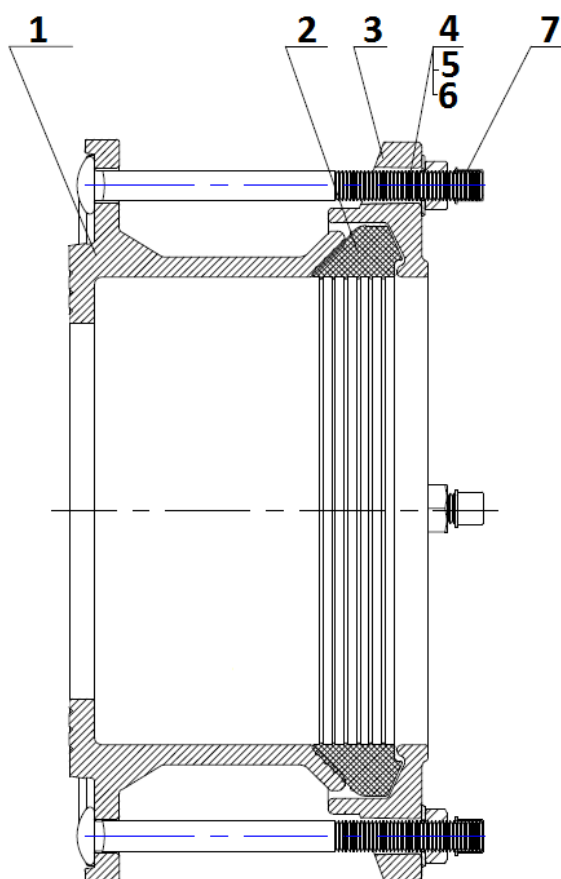
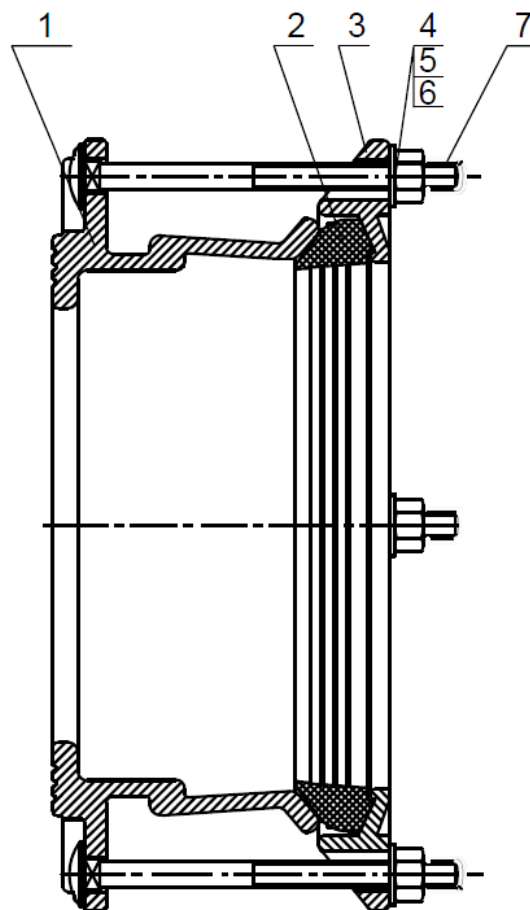
- Ductile iron body
- EPDM gasket
- Installation on pipe without dismantling the coupling
- With stop
- Anti-corrosion Geomet 500 grade B coated bolting
- Epoxy painting blue color RAL 5017, 250 μ thickness

USE:

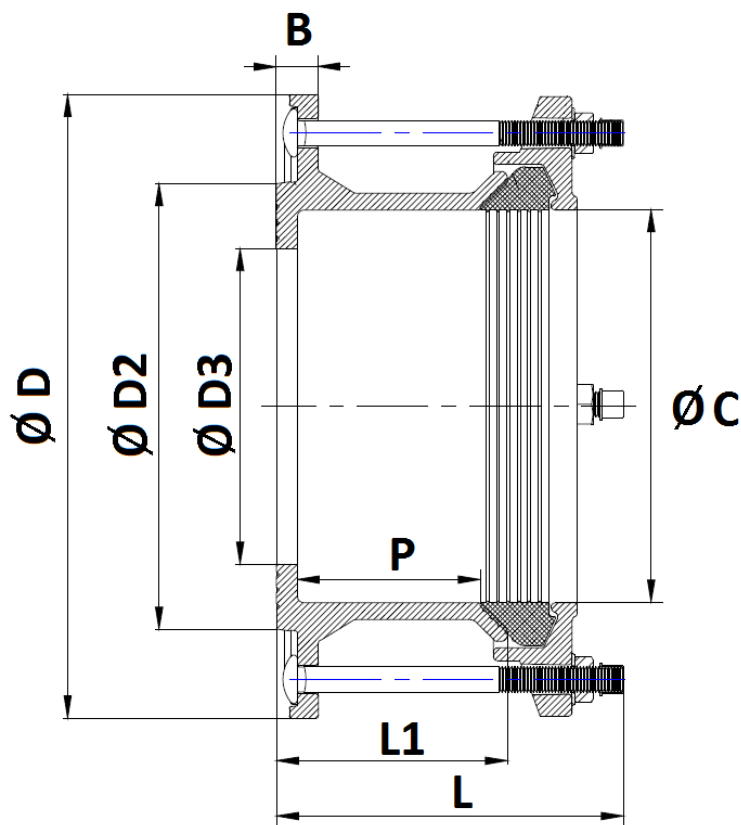
- Water supply and distribution networks
- Suitable for rigid pipes, such as cast iron, carbon steel, PVC, asbestos cement
- Not suitable for PE pipes
- Min and max Temperature Ts : + 0°C to + 60°C
- Max Pressure Ps : 16 bars

RANGE :

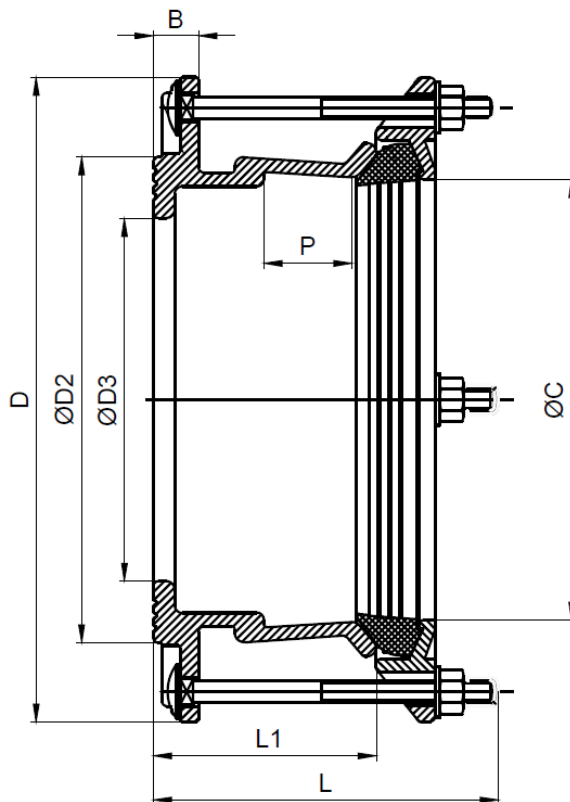
- Universal flange adaptor with stop for rigid pipes flanged PN10/16
Ref.2501 from DN 50-D.58-74 to DN 400-D.436-462

UNIVERSAL FLANGE ADAPTOR WITH STOP FOR RIGID PIPES
MATERIALS :
TYPE A

TYPE B


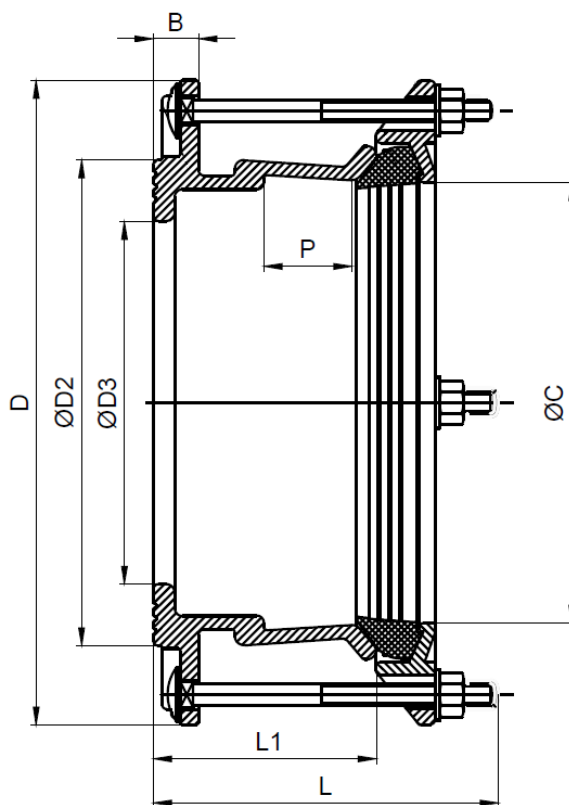
| Item | Designation | Materials |
|------|-------------|---|
| 1 | Body | Ductile iron EN GJS-500-7 |
| 2 | Gasket | EPDM |
| 3 | Flange | Ductile iron EN GJS-500-7 |
| 4 | Screw | Carbon steel Geomet 500 Grade B coated Class 8.8 |
| 5 | Washer | |
| 6 | Nut | |
| 7 | Cap | Plastic |

UNIVERSAL FLANGE ADAPTOR WITH STOP FOR RIGID PIPES
SIZE DN100-400 TYPE A (in mm) :


| DN | 100 | 200 | 250 | 350 | 400 |
|--------------|-----------|-----------|---------|---------|---------|
| Ø Di min | 109 | 194 | 242 | 352 | 410 |
| Ø Di max | 133 | 215 | 268 | 378 | 436 |
| B | 20 | 24 | 27 | 24 | 26 |
| L | 160 | 185 | 185 | 210 | 230 |
| L1 | 105 | 120 | 120 | 120 | 150 |
| P | 80 | 95 | 95 | 90 | 123 |
| Screw | M12 x 145 | M12 x 170 | M12x170 | M14x190 | M14x210 |
| Nb of screws | 4 | 4 | 6 | 8 | 8 |
| Ø C | 135 | 217 | 270 | 380 | 438 |
| Ø D | 235 | 350 | 410 | 520 | 575 |
| Ø D2 | 155 | 256 | 325 | 470 | 480 |
| Ø D3 | 110 | 200 | 271 | 350 | 408 |
| Weight (Kg) | 6.4 | 13.6 | 19.4 | 30.1 | 42.1 |
| Ref. | 2501100 | 2501200 | 2501250 | 2501350 | 2501401 |

UNIVERSAL FLANGE ADAPTOR WITH STOP FOR RIGID PIPES
SIZE DN50-200 TYPE B (in mm) :


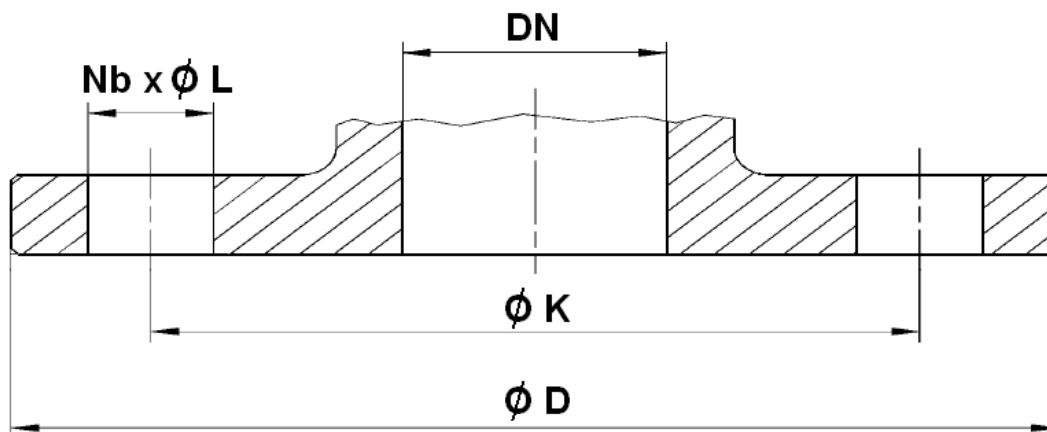
| DN | 50 | 60/65 | 80 | 125/150 | 150 | 200 |
|-------------|---------|---------|---------|---------|---------|---------|
| Ø Di min | 58 | 68 | 84 | 133 | 157 | 218 |
| Ø Di max | 74 | 84 | 105 | 157 | 183 | 242 |
| B | 20 | 20 | 20 | 20 | 20 | 22 |
| L | 160 | 160 | 160 | 185 | 185 | 185 |
| L1 | 100 | 100 | 100 | 110 | 110 | 120 |
| P | 44 | 44 | 44 | 55 | 45 | 48 |
| Screw | M12x145 | M12x145 | M12x145 | M12x170 | M12x170 | M12x170 |
| Nb of screw | 4 | 4 | 4 | 4 | 4 | 4 |
| Ø C | 76 | 86 | 107 | 159 | 185 | 244 |
| Ø D | 169 | 189 | 200 | 285 | 285 | 350 |
| Ø D2 | 97 | 101 | 127 | 185 | 215 | 265 |
| Ø D3 | 50 | 65 | 80 | 136 | 156 | 208 |
| Weight (Kg) | 4.1 | 4.7 | 5.6 | 9.7 | 9.7 | 14.9 |
| Ref. | 2501050 | 2501060 | 2501080 | 2501125 | 2501150 | 2501201 |

UNIVERSAL FLANGE ADAPTOR WITH STOP FOR RIGID PIPES
SIZE TYPE B DN250-400 (in mm) :


| DN | 250 | 250 | 300 | 300 | 350 | 400 | 400 |
|-------------|---------|---------|---------|---------|---------|---------|---------|
| Ø Di min | 266 | 280 | 302 | 324 | 386 | 386 | 436 |
| Ø Di max | 291 | 305 | 327 | 350 | 410 | 410 | 462 |
| B | 26 | 28 | 28 | 22 | 24 | 30 | 25 |
| L | 185 | 190 | 190 | 210 | 258 | 230 | 230 |
| L1 | 120 | 120 | 120 | 140 | 140 | 165 | 160 |
| P | 45 | 45 | 45 | 60 | 61 | 95 | 64 |
| Screw | M12x170 | M12x170 | M12x170 | M14x190 | M14x190 | M14x210 | M14x210 |
| Nb of screw | 6 | 6 | 6 | 6 | 8 | 8 | 8 |
| Ø C | 293 | 307 | 329 | 352 | 412 | 412 | 464 |
| Ø D | 410 | 410 | 485 | 455 | 520 | 596 | 580 |
| Ø D2 | 329 | 320 | 374 | 410 | 470 | 486 | 480 |
| Ø D3 | 250 | 252 | 298 | 310 | 360 | 400 | 410 |
| Weight (Kg) | 18.4 | 21.5 | 23.7 | 26.4 | 34.3 | 40.3 | 44.6 |
| Ref. | 2501251 | 2501252 | 2501300 | 2501301 | 2501351 | 2501400 | 2501402 |

UNIVERSAL FLANGE ADAPTOR WITH STOP FOR RIGID PIPES

FLANGES SIZE (in mm) :



PN10 (in mm) :

| DN | 50 | 60 | 65 | 80 | 100 | 125 | 150 | 200 | 250 | 300 | 350 | 400 |
|----------|--------|--------|--------|--------|--------|--------|--------|--------|---------|---------|---------|---------|
| Ø D | 180 | 180 | 180 | 200 | 220 | 250 | 285 | 340 | 400 | 455 | 520 | 580 |
| Ø K | 125 | 135 | 145 | 160 | 180 | 210 | 240 | 295 | 350 | 400 | 460 | 515 |
| Nb x Ø L | 4 x 19 | 4 x 19 | 4 x 19 | 8 x 19 | 8 x 19 | 8 x 19 | 8 x 23 | 8 x 23 | 12 x 23 | 12 x 23 | 16 x 22 | 16 x 26 |

PN16 (in mm) :

| DN | 50 | 60 | 65 | 80 | 100 | 125 | 150 | 200 | 250 | 300 | 350 | 400 |
|----------|--------|--------|--------|--------|--------|--------|--------|---------|---------|---------|---------|---------|
| Ø D | 180 | 180 | 180 | 200 | 220 | 250 | 285 | 340 | 400 | 455 | 520 | 580 |
| Ø K | 125 | 135 | 145 | 160 | 180 | 210 | 240 | 295 | 355 | 410 | 470 | 525 |
| Nb x Ø L | 4 x 19 | 4 x 19 | 4 x 19 | 8 x 19 | 8 x 19 | 8 x 19 | 8 x 23 | 12 x 23 | 12 x 28 | 12 x 28 | 16 x 26 | 16 x 30 |

UNIVERSAL FLANGE ADAPTOR WITH STOP FOR RIGID PIPES

STANDARDS :

- Fabrication according to ISO 9001 : 2015
- Directive 2014/68/EU : Products excluded from directive (Article 1, § 2.b)
- Construction according to EN 14525
- Flanges according to EN 1092-2 PN10-16 and ISO 7005-2
- French water agreement **A.C.S. N° 18 ACC LY 203 from DN50 to DN315**
- English water agreement **WRAS**
- Pressure tests according to ISO 5208
- Fittings for PVC pipe according to NF EN 12842
- Bolting with anti-corrosion coating according to NF EN ISO 9227 + NFA05-109
- Coating according to RoHS 2002/95/CE

ADVICE : Our opinion and our advice are not guaranteed and Lauridsen industri shall not be liable for the consequences of damages. The customer must check the right choice of the products with the real service conditions.

UNIVERSAL FLANGE ADAPTOR WITH STOP FOR RIGID PIPES**ASSEMBLY INSTRUCTIONS :****GENERAL RULES:**

- Make sure that the connectors are appropriate for the actual service conditions (type of fluid, pressure, temperature).

ASSEMBLY INSTRUCTIONS:

- Check that the outer diameter of the pipe matches the accepted diameter for the connector.
- Before assembly, check that the pipe and the connector are clean.
- Cut the pipe perpendicularly to the piping axis using an appropriate tool (do not bevel the pipe).
- Remove any possible burrs.
- The piping must be perfectly aligned and its support properly sized so that the connectors are not under any external constraints.
- Provisionally shim sections of piping that still lack their definitive supports. This prevents significant constraints being applied on the connectors.
- Insert the pipe in the connector without dismantling the latter concentrically.
- The connection nuts and bolts must be tightened in a crosswise pattern with the following torque: M12: 55-65 Nm / M14: 85-95 Nm / M16: 95-120 Nm
- It may also be necessary to reduce tightening torques with GRP pipes and certain AC pipes.
- Warning, this connecting sleeve is only envisaged for the connection. It does not stop the pipe being pulled out. Fitting should therefore prevent these risks.
- The connector thereby joined to the pipe should be connected with the corresponding flange (tap, T, etc.) by ensuring that the DN are the same.
 - Maximum admissible angular deviation is $\pm 3^\circ$.