



## CLAMP SADDLES

Model/Ref: 1189



*Partnership.  
Without Limits.*

[www.lauridsenindustri.dk](http://www.lauridsenindustri.dk)

**CLAMP SADDLES**



- Size :** DN 25 to DN 63
- Ends :** Threaded female BSP
- Min Temperature :** - 10°C
- Max Temperature :** + 45°C
- Max Pressure :** 10 Bars
- Specifications :** Polypropylene  
NBR O ring  
For polyethylene and PVC pipes
- Materials :** Polypropylene

## CLAMP SADDLES

### SPECIFICATIONS :

- Polypropylene
- NBR O ring
- For polyethylene and PVC pipes

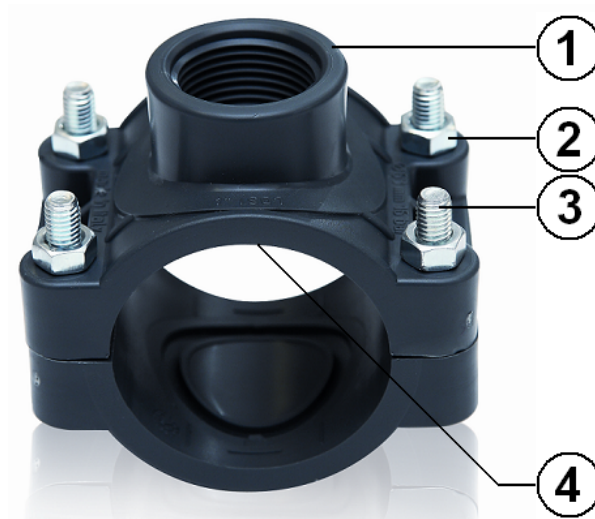
### USE :

- Water distribution
- Min and max Temperature Ts : - 10°C to + 45°C
- Max Pressure PN : 10 bars

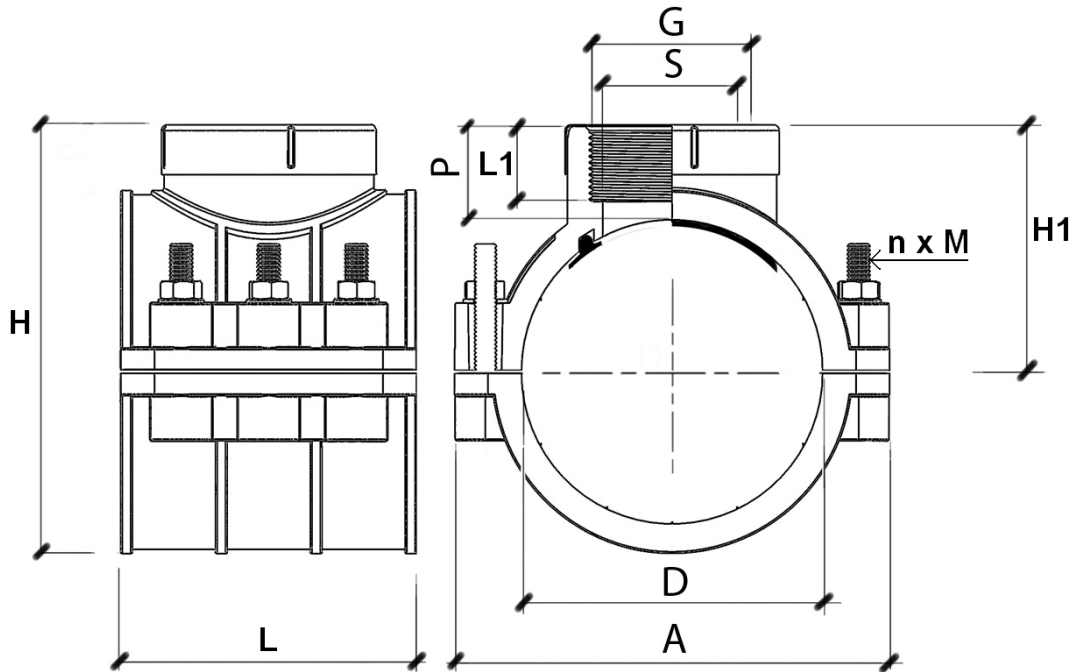
### RANGE :

- Clamp saddles from DN 1/2"-D.25 to DN 1 1/2"-D.63 **Ref. 1189**

### MATERIALS :



Item	Designation	Materials
1	Body	Polypropylene (PP-B)
2	Nut	Galvanized steel
3	Screw	Galvanized steel
4	O Ring	NBR 70 sh.

**CLAMP SADDLES**
SIZE ( in mm ) :


REF.	G	Ø D	A	H	H1	L	L1	P	Ø S	n x M-Lg	Weight (Kg)
1189	1/2"	25	74	48	31.2	41.3	15	19.5	15.5	2 x M8-30	0.0785
	3/4"	25	74	48.9	31.8	41.3	15.7	21.9	15.5	2 x M8-30	0.081
	1/2"	32	81.5	55.9	34.6	51.3	13.6	19.5	16	2 x M8-30	0.090
	3/4"	32	81.5	56.6	34.6	51.3	15.3	19.9	19.8	2 x M8-30	0.093
	1/2"	40	82.2	63	37.7	50.8	14.8	38	16	2 x M8-40	0.1045
	3/4"	40	82.2	64	37.9	50.8	15.9	20.5	19.5	2 x M8-40	0.1075
	1"	40	82.2	66.6	40.7	50.8	18.5	23	24.6	2 x M8-40	0.1115
	1/2"	50	88.9	75.2	44.5	53.9	15.3	21.3	15.9	4 x M8-40	0.1765
	3/4"	50	88.9	76	44.5	53.9	14.7	21.3	19.2	4 x M8-40	0.179
	1"	50	88.9	79.8	48	53.9	18.5	24.5	24.6	4 x M8-40	0.1825
	1/2"	63	101.4	91	52	67.7	16.8	21.3	16	4 x M8-50	0.241
	3/4"	63	101.4	94	55	67.7	19.2	25.5	21.1	4 x M8-50	0.244
	1"	63	101.4	95.2	56.6	67.7	21.4	27	28.2	4 x M8-50	0.247
	1"1/4	63	101.4	95.2	56.6	67.7	21.2	27	32.8	4 x M8-50	0.250
1"1/2	63	107	100	61.5	75	24	31	30	4 x M8-50	0.301	

**CLAMP SADDLES****STANDARDS :**

- Fabrication according to ISO 9001 : 2008
- Designing according to ISO 13460
- Directive 97/23/CE : Products excluded from directive ( Article 1, § 3.2 )
- Threaded female BSP cylindrical ends according to EN 10226-1 Rp

ADVICE :Our opinion and our advice are not guaranteed and Lauridsen Industri shall not be liable for the consequences of damages.

The customer must check the right choice of the products with the real service conditions.