



**SPU220 type DIRECT ACTING
STAINLESS STEEL SOLENOID VALVE**

Model/Ref: 081002

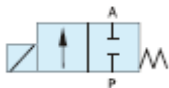


*Partnership.
Without Limits.*

www.lauridsenindustri.dk

SPU220 type DIRECT ACTING STAINLESS STEEL SOLENOID VALVE

CHARACTERISTICS



The SPU220 solenoid valve is a 2/2-way direct acting stainless steel solenoid valve. It is dedicated to the automatic shut-off of unloaded aggressive fluids. It has a normally closed (NC) operation, a horizontal mounting, and it does not need any differential pressure. It has a standard construction with stainless steel body and internal parts and FKM diaphragm. This solenoid valve is available for 230 V AC, 24 V AC and 24 V DC voltages.

AVAILABLE ITEMS

BSP threaded connections: 1/2" and 3/4"
 FKM diaphragms
 Voltages 230 V AC, 24 V AC and 24 V DC
 Coil insulation class F, IP65, connector T30



FLOW RATES

DN	1/2"	3/4"
Bore (mm)	13	20
Kv (m ³ /h)	3.2	6.9

POWER

230 V AC	24 V AC	24 V DC
18.1 VA	18.1 VA	15 W

CONSTRUCTION

Body	Stainless steel 1.4408 / A351 CF8M
Cover	Stainless steel 1.4408 / A351 CF8M
Diaphragm	FKM
Coil	PBT+ 30% Graphite
Connector	DIN size 30

EC 97/23 DIRECTIVE CATEGORY

Category I

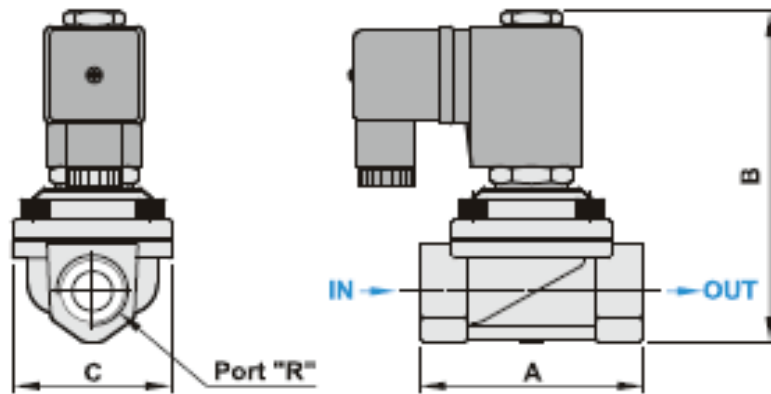
LIMITS OF USE

	DN	230 V AC	24 V AC	24 V DC
Max. allowable pressure (PS)	1/2"	7 bar	7 bar	6 bar
	3/4"	7 bar	7 bar	5 bar
Min. / max. allowable temperature (TS)	-10 °C / +90 °C			
Room temperature	-10 °C / +60 °C			

Technical data given for information purpose only. May be subject to alteration without prior notice

**SPU220 type DIRECT ACTING
STAINLESS STEEL SOLENOID VALVE**

DIMENSIONS (mm) AND WEIGHT (g)



DN	A	B	C	Weight
1/2"	66.5	101	48	715
3/4"	71	107	58	920

MOUNTING AND MAINTENANCE

1. We recommend installing the solenoid valve just after delivery. If the material has to be stored, it should be in a dry and sheltered place.
2. Please wear the protection equipment necessary for this type of operation: gloves and glasses.
3. The solenoid valve installation is not recommended in a humid environment.
4. Please check the electrical power supply voltage and frequency. Current should not be applied to the coil unless it is installed on the solenoid valve body.
5. Before any operation, depressurize the pipes and wait for their complete cooling to room temperature.
6. A previous careful cleaning of the pipes and tanks is compulsory.
7. The installation of an upstream protection strainer is highly recommended.
8. The solenoid valve has to be mounted in a horizontal position.
9. Respect the mounting direction indicated by the arrow on the solenoid valve body.

OPTIONS

NBR and EPDM diaphragms
 NPT connections
 PN 16 and ANSI 150 flanged connections

Technical data given for information purpose only. May be subject to alteration without prior notice