



**SPU220X type ATEX DIRECT ACTING
STAINLESS STEEL SOLENOID VALVE**

Model/Ref: 081102



*Partnership.
Without Limits.*

www.lauridsenindustri.dk

**SPU220X type ATEX DIRECT ACTING
STAINLESS STEEL SOLENOID VALVE**

CHARACTERISTICS

The SPU220 solenoid valve is a 2/2-way direct acting stainless steel solenoid valve. It is dedicated to the automatic shut-off of unloaded aggressive fluids in explosive zones 1, 2, 21 and 22. It has a NC operation, a horizontal mounting, and it does not need differential pressure. It has a standard construction with stainless steel body and internal parts. This solenoid valve is available for 230 V AC, 24 V AC and 24 V DC voltages. The coil is delivered with a 3 m cable.

AVAILABLE ITEMS

BSP threaded connections: 1/2" and 3/4",
FKM diaphragms
Voltages 230 V AC, 24 V AC and 24 V DC
Coil insulation class F, IP 65, 300 mm cable

FLOW RATES

DN	1/2"	3/4"
Bore (mm)	13	20
Kv (m ³ /h)	3.2	6.9

CERTIFICATIONS

EC 97/23 Pressure Directive: category I.
ATEX Directive: category II, zones 1, 2, 21 and 22.

Body	Coil
II 2 G/D EEx c II T4	II 2 G/D EEx m IIC T4
SIRA 09 ATEX 6180 X	PTB 03 ATEX 2086 X



CONSTRUCTION

Body	Stainless steel 1.4408 / A351 CF8M
Cover	Stainless steel 1.4408 / A351 CF8M
Diaphragm	FKM
Coil	PBT+ 30% Graphite
Connector	DIN size 30

POWER

230 V AC	24 V AC	24 V DC
18.1 VA	18.1 VA	15 W

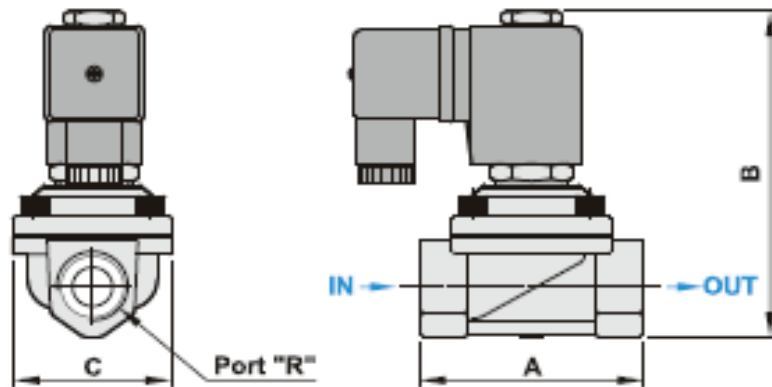
LIMITS OF USE

	DN	230 V AC	24 V AC	24 V DC
Max. allowable pressure (PS)	1/2"	7 bar	7 bar	6 bar
	3/4"	7 bar	7 bar	5 bar
Min. / max. allowable temperature (TS)	-10 °C / +90 °C			
Room temperature	-10 °C / +60 °C			

Technical data given for information purpose only. May be subject to alteration without prior notice

SPU220X type ATEX DIRECT ACTING STAINLESS STEEL SOLENOID VALVE

DIMENSIONS (mm) AND WEIGHT (g)



DN	A	B	C	Weight
1/2"	66.5	101	48	715
3/4"	71	107	58	920

MOUNTING AND MAINTENANCE

1. We recommend installing the solenoid valve just after delivery. If the material has to be stored, it should be in a dry and sheltered place.
2. The installation of a solenoid valve can only be operated by an operator authorized to work in an ATEX zone.
3. Please wear the necessary protection equipment for this type of operation: gloves and glasses.
4. The solenoid valve installation is not recommended in a humid environment.
5. Please check the fit between the solenoid valve, the explosive zone category and the surface temperature.
6. Please check the electrical power supply voltage and frequency. Current should not be applied to the coil unless it is installed on the solenoid valve body.
7. Before any operation, depressurize the pipes and wait for their complete cooling to room temperature.
8. A previous careful cleaning of the pipes and tanks is compulsory.
9. The installation of an upstream protection strainer is highly recommended.
10. Respect the mounting direction indicated by the arrow on the solenoid valve body.
11. The SPU220X has to be mounted in a horizontal position.
12. The feeding cable has to be connected to a terminal block outside of the ATEX area. If the device is to be connected inside the explosive area, it has to be with an ATEX approved terminal block.
13. Protect the feeding line with an adapted circuit breaker.

OPTIONS

NBR and EPDM diaphragm
 NPT connections
 PN 16 and ANSI 150 flanged connections

Technical data given for information purpose only. May be subject to alteration without prior notice