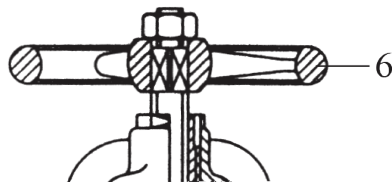




Stop Valve JIS 10K Flange Straight GG25

Model/Ref: F-7307-F-7375

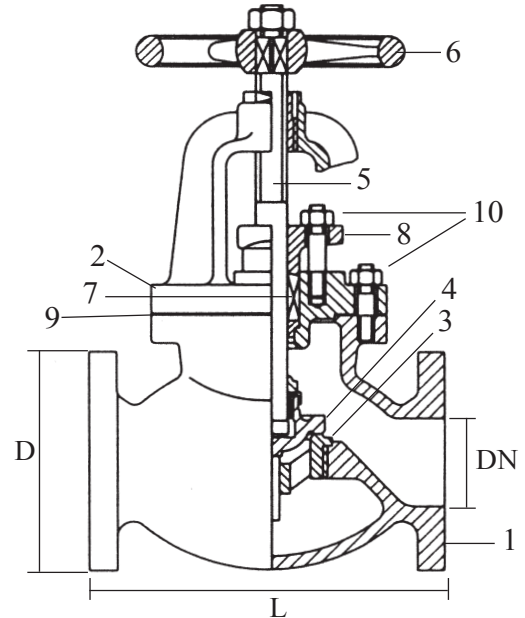


*Partnership.
Without Limits.*

www.lauridsenindustri.com

Stop Valve JIS 10K Flange Straight GG25

No	Part	Material
1	Body	Cast iron GG25
2	Bonnet	Cast iron GG25
3	Seat ring	Bronze Rg5
4	Disc	Bronze Rg5
5	Stem	Special brass
6	Handwheel	Cast iron
7	Glandpacking	Graphite
8	Gland	Bronze Rg5
9	Gasket	Graphite
10	Bolt/Nut	Brass / Rolled steel
11		
12		
13		
14		
15		


Variants:

S.D.N.R. = Non-return disc F-7375

Stainless steel trim

Other dimensions/materials on request

DN	D	n	Hcd	d	L	Max working-pressure		Weight Kg
						Kg/cm ² 120 °C	Kg/cm ² 205 °C	
50	155	4	120	19	220	14 bar	10 bar	19,9
65	175	4	140	19	270	14 bar	10 bar	28,7
80	185	8	150	19	300	14 bar	10 bar	32,4
100	210	8	175	19	350	14 bar	10 bar	48,7
125	250	8	210	23	420	14 bar	10 bar	73,1
150	280	8	240	23	490	14 bar	10 bar	104,0
200	330	12	290	23	570	14 bar	10 bar	162,0
250	400	12	355	25	740	14 bar	10 bar	304,0
300	445	12	400	25	840	14 bar	10 bar	458,0