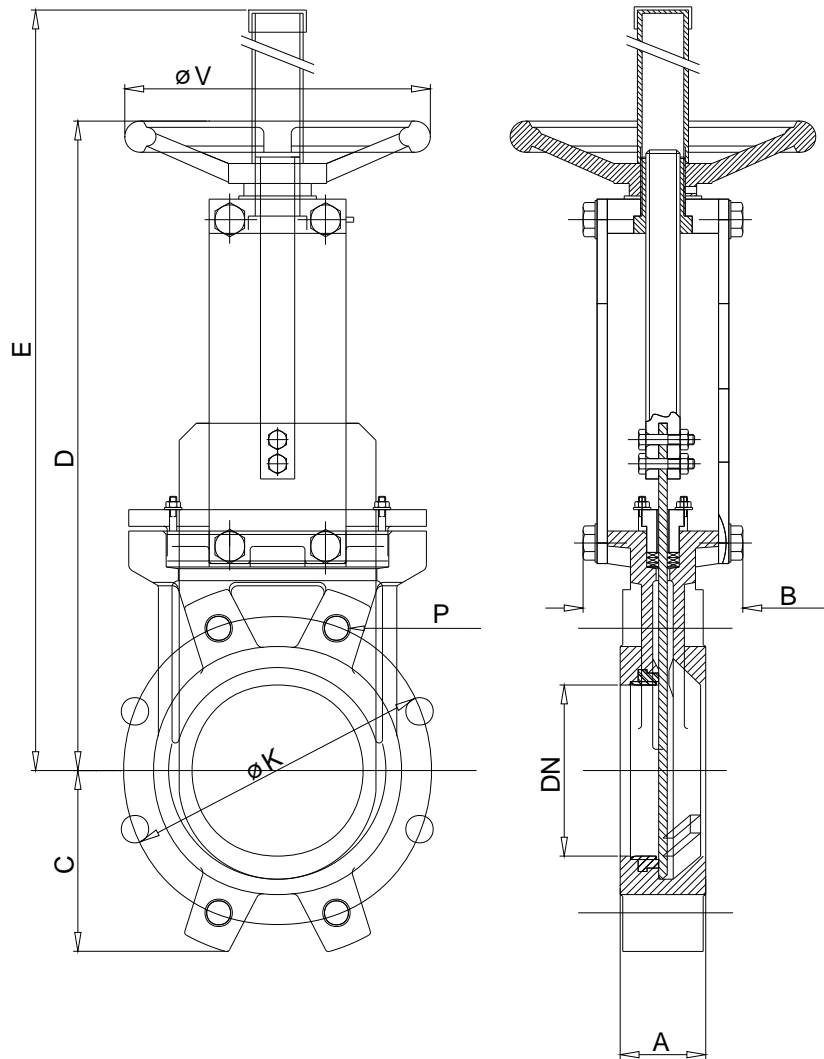


# TYPE 1200 HANDWHEEL - RISING STEM



DN	INCHES	A	B	C	D	E	øV
50	2"	40	90	60	284	428	200
65	2 1/2"	40	90	68	308	450	200
80	3"	50	90	90	334	480	200
100	4"	50	90	105	374	520	200
125	5"	50	100	118	413	600	250
150	6"	60	100	135	465	650	250
200	8"	60	120	170	582	820	300
250	10"	70	120	202	682	1020	300
300	12"	70	120	240	782	1120	300
350	14"	96	192	255	898	1380	400
400	16"	100	192	295	1003	1490	400
450	18"	106	192	318	1093	1580	500
500	20"	110	192	345	1207	1690	500
600	24"	110	290	405	1410	2030	500

\*Higher diameters under request.

DN	INCHES	øK		NO. HOLES	P	
		PN 10	ANSI 150		PN 10	ANSI 150
50	2"	125	120,6	4	M16	W 5/8"
65	2 1/2"	145	139,7	4	M16	W 5/8"
80	3"	160	152,4	8	M16	W 5/8"
100	4"	180	190,5	8	M16	W 5/8"
125	5"	210	215,9	8	M16	W 3/4"
150	6"	240	241,3	8	M20	W 3/4"
200	8"	295	298,4	8	M20	W 3/4"
250	10"	350	361,9	12	M20	W 7/8"
300	12"	400	431,8	12	M20	W 7/8"
350	14"	460	476,2	16	M20	W 1"
400	16"	515	539,7	16	M24	W 1"
450	18"	565	577,8	20	M24	W 1 1/8"
500	20"	620	635	20	M24	W 1 1/8"
600	24"	725	749,3	20	M27	W 1 1/4"

Lauridsen Industri reserves the right to modify the measures without previous notice



Vibevej 18 26 • DK - 6705 Esbjerg Ø

Phone: +45 75 126274 Mobile: +45 41 192666

Fax: +45 75124274

E-mail: info@ventiler.net

web: www.ventiler.net