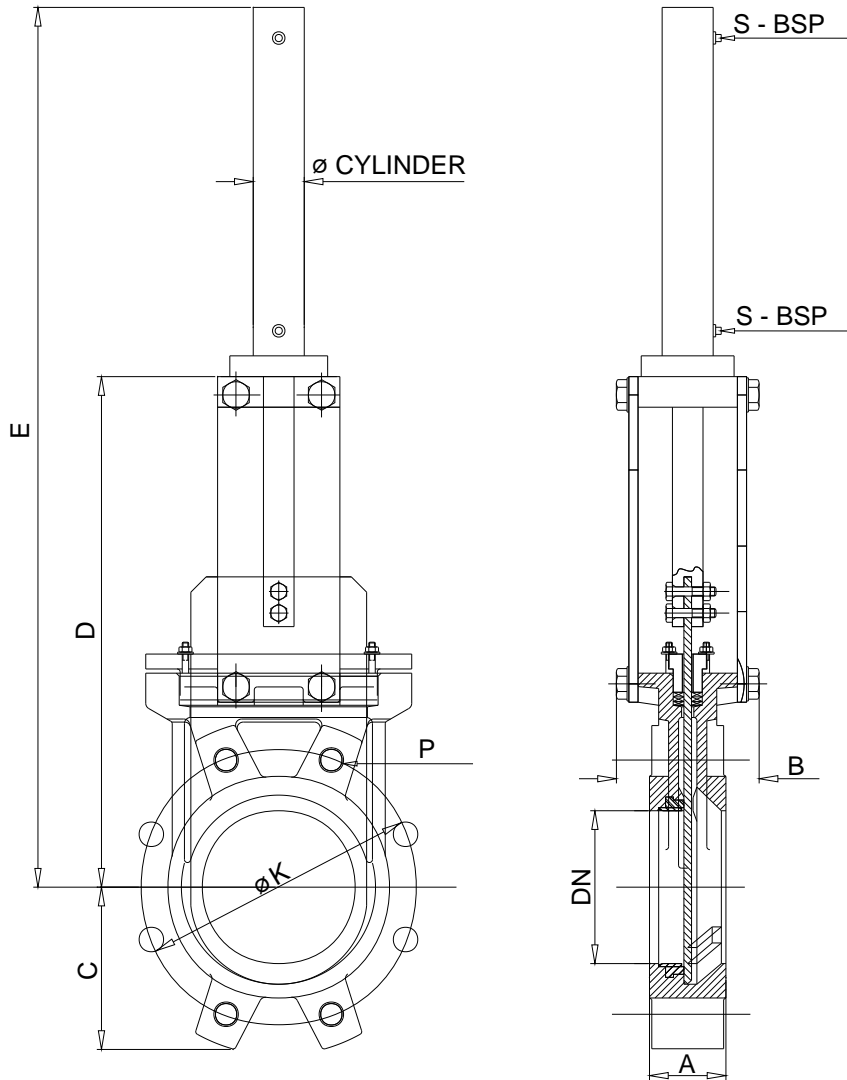


TYPE 1200 HYDRAULIC



DN	INCHES	A	B	C	D	E	Ø CYLINDER	S B.S.P
50	2"	40	90	60	240	402	40	½ "
65	2 1/2"	40	90	68	270	447	40	½ "
80	3"	50	90	90	295	487	40	½ "
100	4"	50	90	105	335	547	40	½ "
125	5"	50	100	118	370	612	40	½ "
150	6"	60	100	135	418	685	40	½ "
200	8"	60	120	170	522	846	50	½ "
250	10"	70	120	202	625	999	50	½ "
300	12"	70	120	240	725	1151	63	¾ "
350	14"	96	192	255	845	1326	63	¾ "
400	16"	100	192	295	945	1476	63	¾ "
450	18"	106	192	318	1045	1646	80	¾ "
500	20"	110	192	345	1148	1799	80	¾ "
600	24"	110	290	405	1360	2111	80	¾ "

*Higher diameters under request.

DN	INCHES	ØK		NO. HOLES	P	
		PN 10	ANSI 150		PN 10	ANSI 150
50	2"	125	120,6	4	M16	W 5/8"
65	2 1/2"	145	139,7	4	M16	W 5/8"
80	3"	160	152,4	8	M16	W 5/8"
100	4"	180	190,5	8	M16	W 5/8"
125	5"	210	215,9	8	M16	W 3/4"
150	6"	240	241,3	8	M20	W 3/4"
200	8"	295	298,4	8	M20	W 3/4"
250	10"	350	361,9	12	M20	W 7/8"
300	12"	400	431,8	12	M20	W 7/8"
350	14"	460	476,2	16	M20	W 1"
400	16"	515	539,7	16	M24	W 1"
450	18"	565	577,8	20	M24	W 1 1/8"
500	20"	620	635	20	M24	W 1 1/8"
600	24"	725	749,3	20	M27	W 1 1/4"

Lauridsen Industri reserves the right to modify the measures without previous notice



Vibevej 18 26 *DK -6705 Esbjerg Ø

Phone: +45 75 126274 Mobile: +45 41 192666

Fax: +45 75124274

E-mail: info@ventiler.net

web: www.ventiler.net