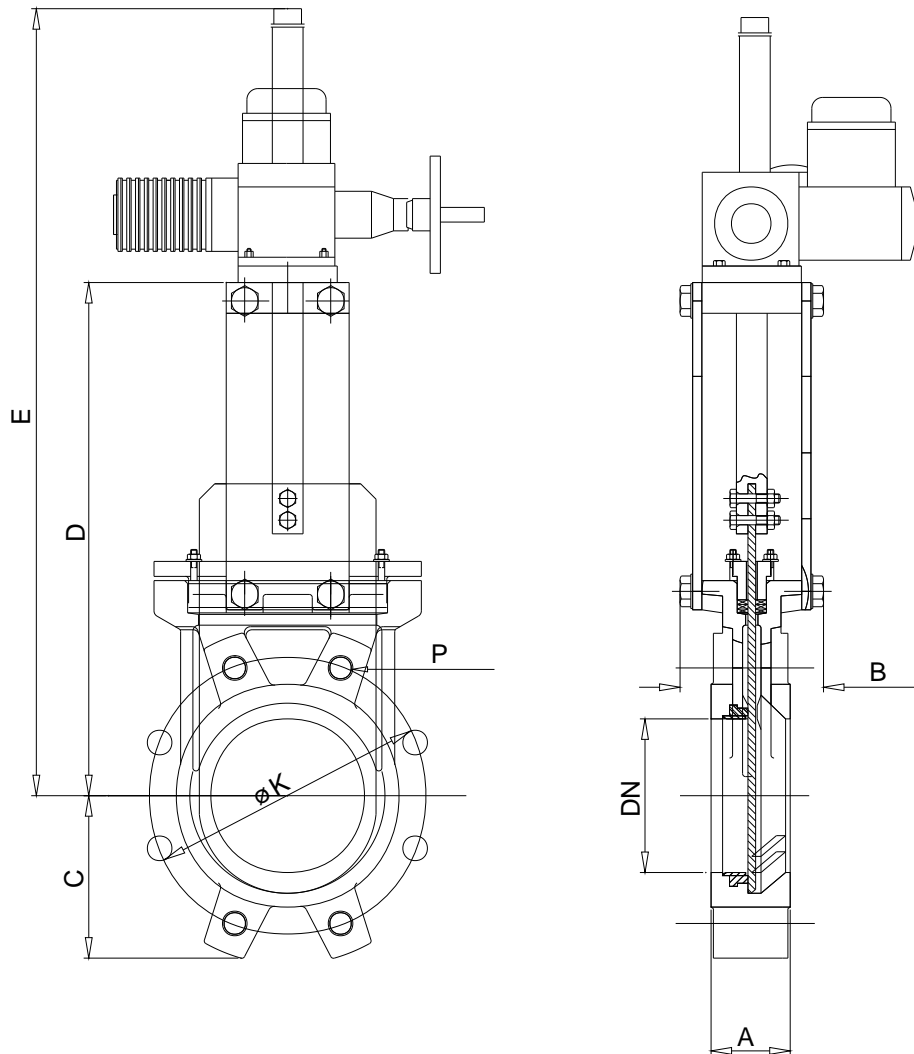


# TYPE 1200 MOTOR



DN	INCHES	A	B	C	D	E
50	2"	40	90	60	240	630
65	2 1/2"	40	90	68	270	655
80	3"	50	90	90	295	680
100	4"	50	90	105	335	720
125	5"	50	100	118	370	805
150	6"	60	100	135	418	855
200	8"	60	120	170	522	1050
250	10"	70	120	202	625	1250
300	12"	70	120	240	725	1350
350	14"	96	192	255	845	1510
400	16"	100	192	295	945	1615
450	18"	106	192	318	1045	1870
500	20"	110	192	345	1148	1986
600	24"	110	290	405	1360	2115

\*Higher diameters under request.

DN	INCHES	øK		P		
		PN 10	ANSI 150	NO. HOLES	PN 10	ANSI 150
50	2"	125	120,6	4	M16	W 5/8"
65	2 1/2"	145	139,7	4	M16	W 5/8"
80	3"	160	152,4	8	M16	W 5/8"
100	4"	180	190,5	8	M16	W 5/8"
125	5"	210	215,9	8	M16	W 3/4"
150	6"	240	241,3	8	M20	W 3/4"
200	8"	295	298,4	8	M20	W 3/4"
250	10"	350	361,9	12	M20	W 7/8"
300	12"	400	431,8	12	M20	W 7/8"
350	14"	460	476,2	16	M20	W 1"
400	16"	515	539,7	16	M24	W 1"
450	18"	565	577,8	20	M24	W 1 1/8"
500	20"	620	635	20	M24	W 1 1/8"
600	24"	725	749,3	20	M27	W 1 1/4"

Lauridsen Industri reserves the right to modify the measures without previous notice



Vibevej 18 26 • DK - 6705 Esbjerg Ø

Phone: +45 75 126274 Mobile: +45 41 192666

Fax: +45 75124274

E-mail: info@ventiler.net

web: www.ventiler.net