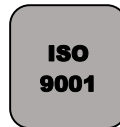


702-703 XS-F VALVE WITH SF SWITCH BOX

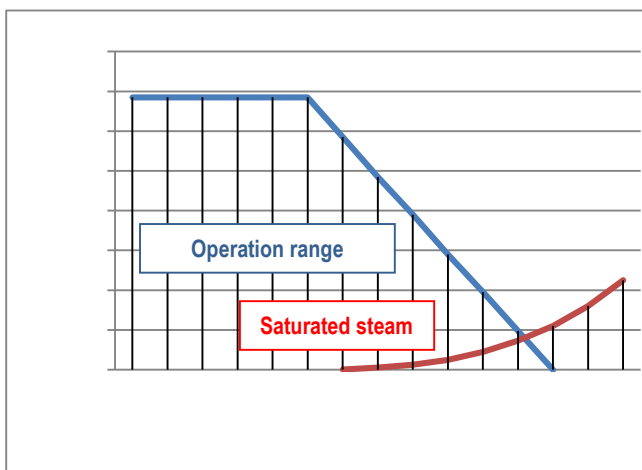
FEATURES

AVAILABLE MODELS



LIMITS OF USE

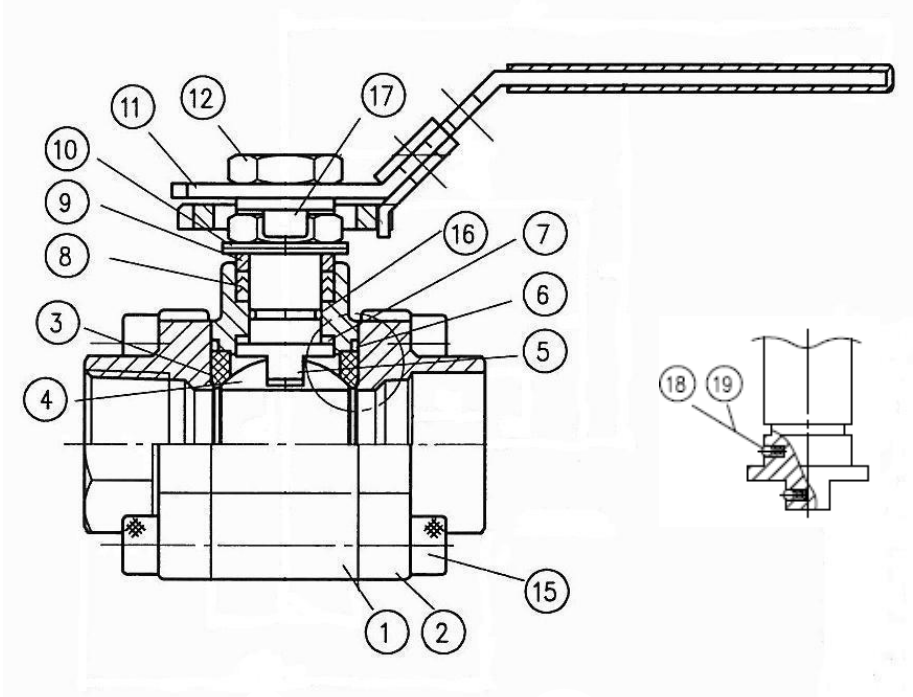
Fluid pressure: WP	
Fluid temperature: WT°	
Operation under saturated steam	
Ambient temperature	
IP Code	



702-703 XS-F VALVE WITH SF SWITCH BOX

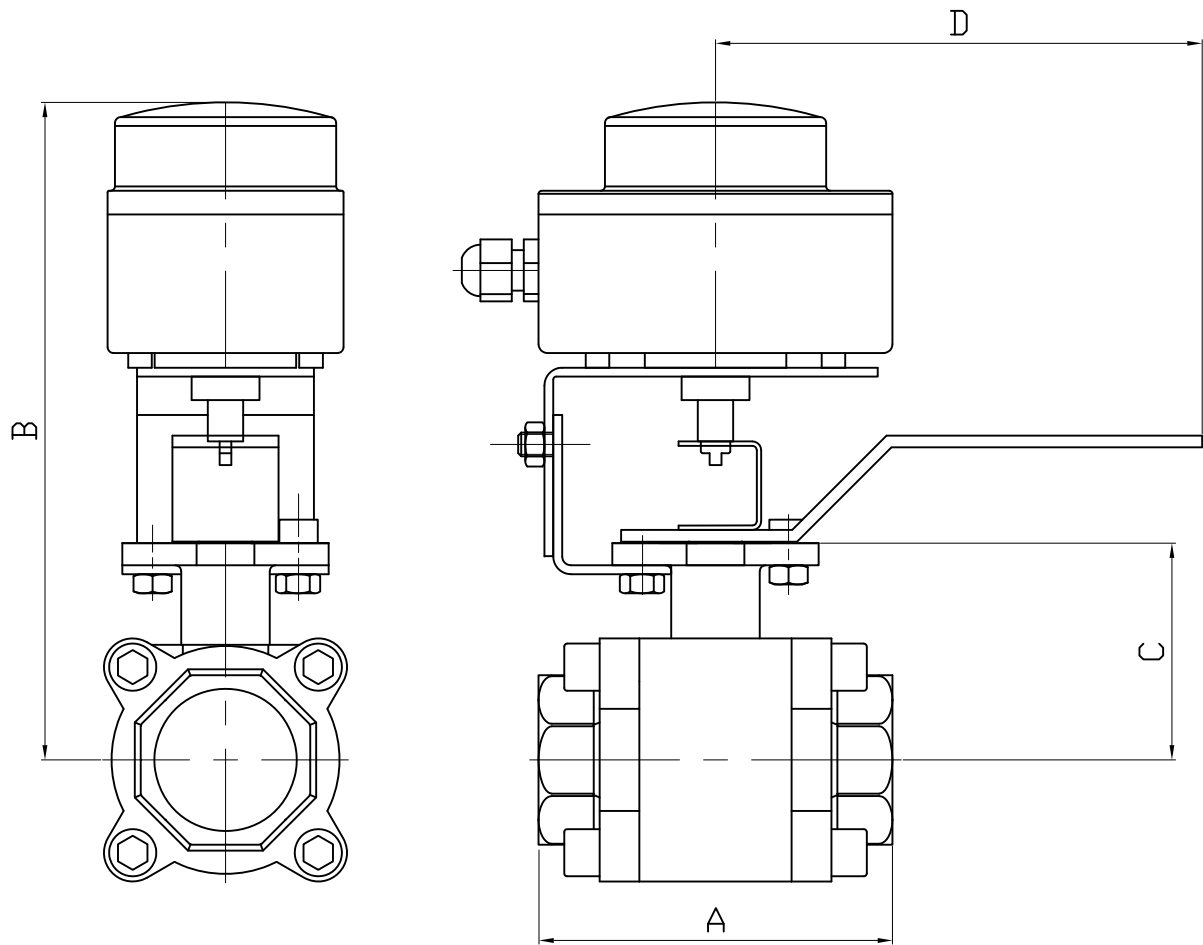
DIRECTIVES AND MANUFACTURING STANDARDS

OBJECT	Standard	ON	OBJECT	Standard



CONSTRUCTION

No.	Name	Steel	Stainless steel	No.	Name	Steel	Stainless steel
1				11			
2				12			
3				13			
4				14			
5				15			
6				16			
7				17			
8				18			
9				19			
10							



DN	1/2"	3/4"	1"	1 1/4"	1 1/2"	2"
A	75	80	90	110	120	140
B	211.8	214.3	223.5	228.7	243	252.4
C	42.3	44.8	54	59.2	73.5	82.9
D	110	110	135	135	165	165
KG	2	2.2	2.9	3.7	4.8	7.7

Informations données à titre indicatif et sous réserve de modifications éventuelles
data subject to alteration

Ech: /	Date :13/10/2014	Dessiné par : E.D.	Tolérances générales : +/- 0.2	Modifications	Date	REV.
ROBINET A TOURNANT SPHERIQUE 703XS "SF"/BALL VALVE 703XS "SF" + BFC/LIMIT SWITCH BOX				Matière :		
				Poids (Kg) :		
				Traitement : SANS		
				Plan n° Ens 1196		



SF-TYPE SOLDO SWITCH BOXES

FEATURES

AVAILABLE MODELS

—



LIMITS OF USE

Ambient temperature	
IP Code	
SF	



MECHANICAL CONNECTION

Axis dimension	
Attachment	
Stainless steel arches for attachment onto the actuator	_____ _____ _____ _____

ELECTRICAL CONNECTION

Standard cable inputs	
Optional cable inputs	

CONSTRUCTION

Casing and lid	
Coating	
Stem	
Dome	

SF-TYPE SOLDO SWITCH BOXES

SWITCH DETAILS SF model

Ref.	Switch	Features	Max.

OPTIONS

SF-TYPE SOLDO SWITCH BOXES

DIMENSIONS (mm)

