

EXPANSION JOINT NBR PN10/16 130 mm LONG

ISO 9001

BUREAU VERITAS
Certification



Size : DN 32 to 200

Ends : Flanges PN10/16

Min Temperature : - 10°C

Max Temperature : + 80°C

Max Pressure : 16 Bars

Specifications : Absorb vibrations and noises

Linear and angular compansion

Single NBR sphere

Materials : Electro galvanized steel flanges

EXPANSION JOINT NBR PN10/16 130 mm LONG

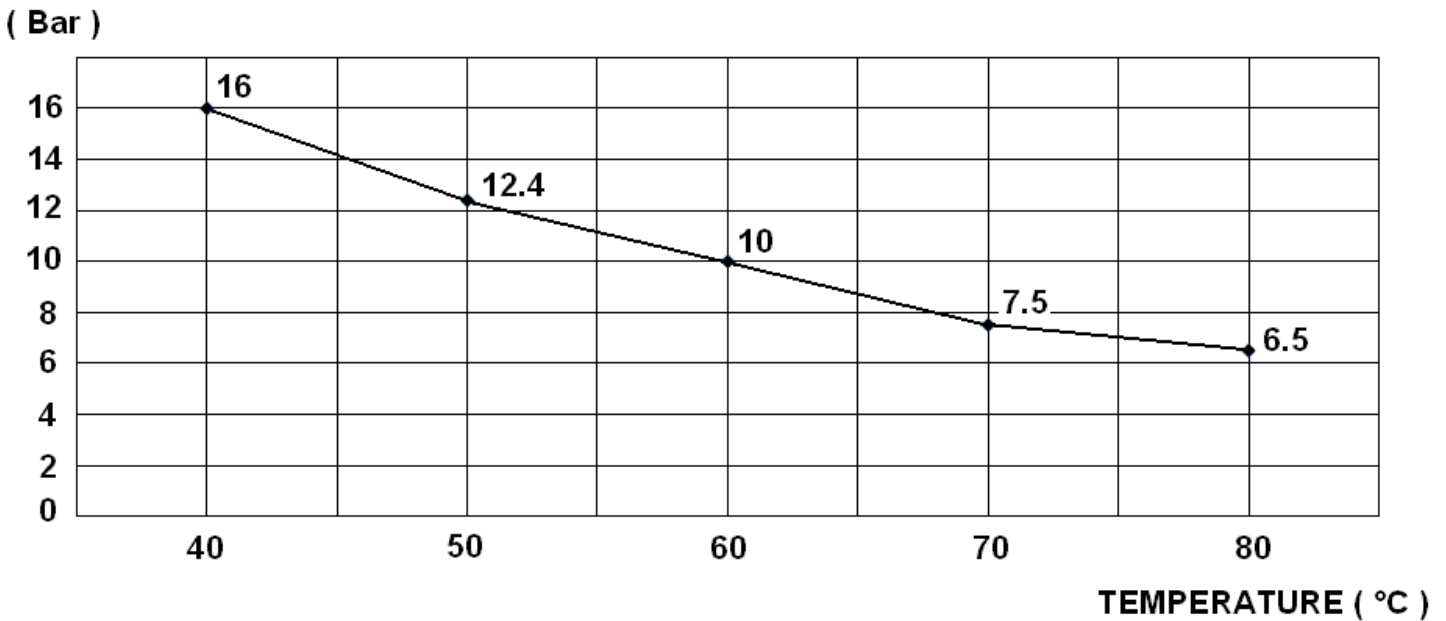
SPECIFICATIONS :

- Absorb vibration, noises and expansion
- Linear and angular compansion
- Single sphere NBR
- Electro galvanized steel flanges PN10/16 up to DN150, PN10 over

USE :

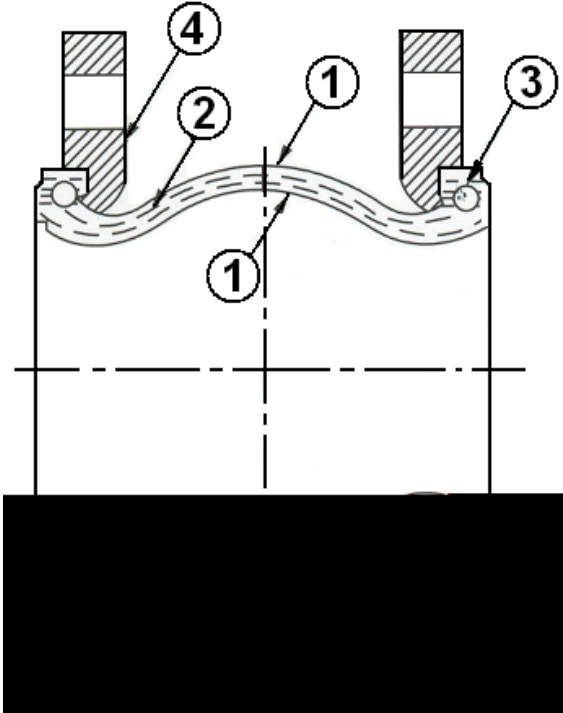
- Oil, hydrocarbon, air
- Min and max Temperature Ts : - 10°C to + 80°C
- Max Pressure Ps : 16 bars

PRESSURE / TEMPERATURE GRAPH (STEAM EXCLUDED) :



RANGE :

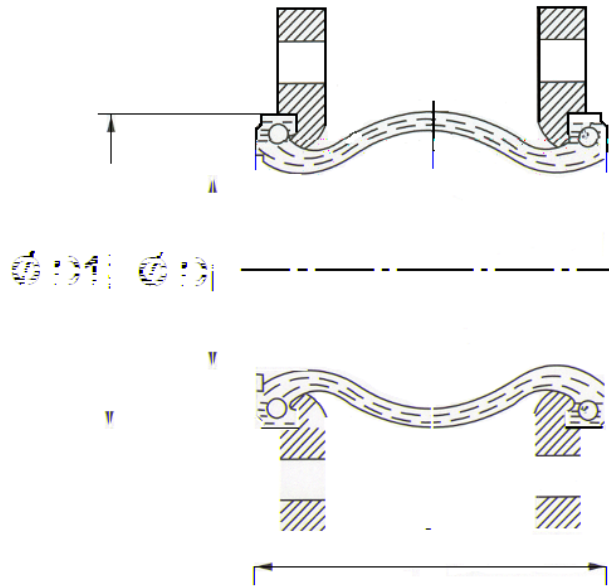
- NBR expansion joint 130 mm long with steel flanges PN10/16 from DN 32 to DN 150 and PN10 over, **Ref. 1506**
- Expansion limiter (with 2 studs and 4 plates included) PN10 from DN 32 to DN 300 **Ref. 9860607 to 9860617**

EXPANSION JOINT NBR PN10/16 130 mm LONG
MATERIALS :


Item	Designation	Materials
1	Inner tube and cover	NBR
2	Reinforcement	Nylon cord
3	Brace	Hard steel
4	Flanges	Electro galvanized steel

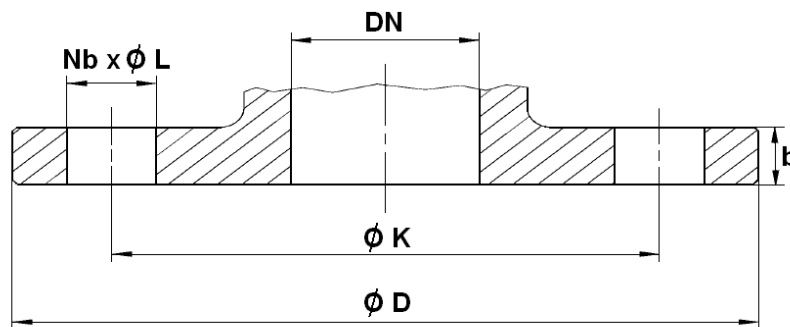
EXPANSION JOINT NBR PN10/16 130 mm LONG

SIZE (in mm) :

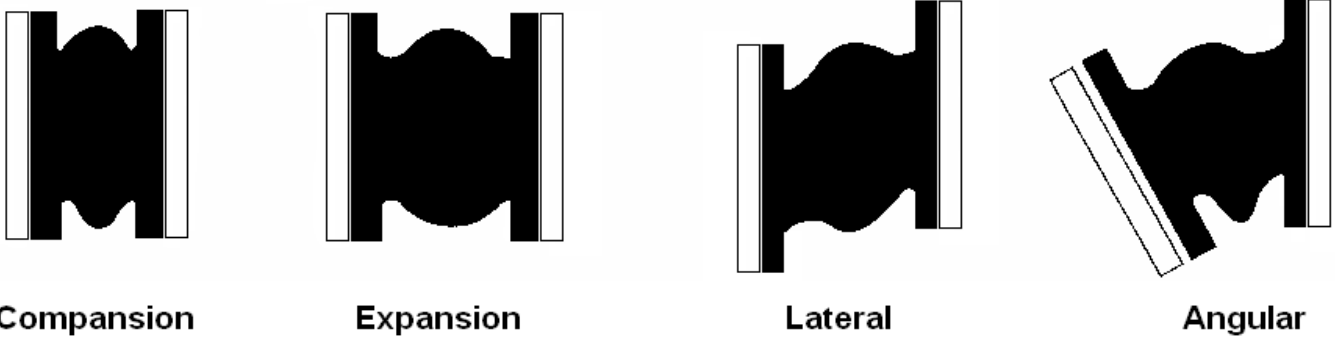


Ref.	DN	32	40	50	65	80	100	125	150	200
1506	L	130	130	130	130	130	130	130	130	130
	Ø D	29	36	48	63	72	92	123	144	199
	Ø D1	69	78	89	108	123	145	180	209	259
	Weight (Kg)	2.74	2.98	4.24	4.98	5.72	6.94	9.18	10.96	15.3

FLANGES SIZE (in mm) :



DN	32	40	50	65	80	100	125	150	200
Ø D	140	150	165	185	200	220	250	285	340
Ø K	100	110	125	145	160	180	210	240	295
Nb x Ø L	4 x 19	4 x 19	4 x 19	4 x 19	8 x 19	8 x 19	8 x 19	8 x 23	8 x 23
b	14	14	15	15	17	17	19	19	20

EXPANSION JOINT NBR PN10/16 130 mm LONG
MOVEMENTS (in mm):


DN	32	40	50	65	80	100	125	150	200
Compansion	12	12	12	12	12	12	12	12	12
Expansion	10	10	10	10	10	10	10	10	10
Lateral	12	12	12	12	12	12	12	12	12
Angular	15°	15°	15°	15°	15°	15°	15°	15°	15°

STANDARDS :

- Fabrication according to ISO 9001 : 2008
- DIRECTIVE 2014/68/EU : Products excluded from directive (Article 4, § 3)
- Flanges according to EN 1092-1 PN10/16

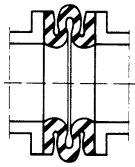
ADVICE : Our opinion and our advice are not guaranteed and Lauridsen Industri shall not be liable for the consequences of damages. The customer must check the right choice of the products with the real service conditions.

E

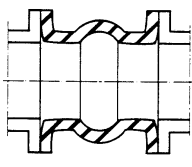
EXPANSION JOINT NBR PN10/16 130 mm LONG**INSTALLATION INSTRUCTION (SUITE) :**

- Use limiters : When the working pressure can exceed the following values :
 - Up to DN100 : 10 bars
 - From DN125 to DN250 : 9 bars
 - From DN300 to DN350 : 6 bars
 - From DN400 to DN600 : 3 bars
 - When there is some risk of high pressure (pump starting) or high temperature.

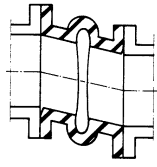
NOTA : The life of compensator can vary because of working conditions (fluids, pressure, temperature), that is why it is necessary to check it regularly.

WRONG INSTALLATION :

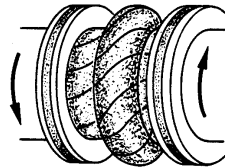
Excessive
compansion



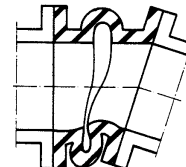
Excessive
expansion



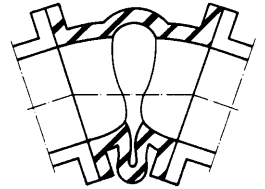
Cutting too
important



Torsion



Important compansion
and angular deviation



Angular deviation
too important