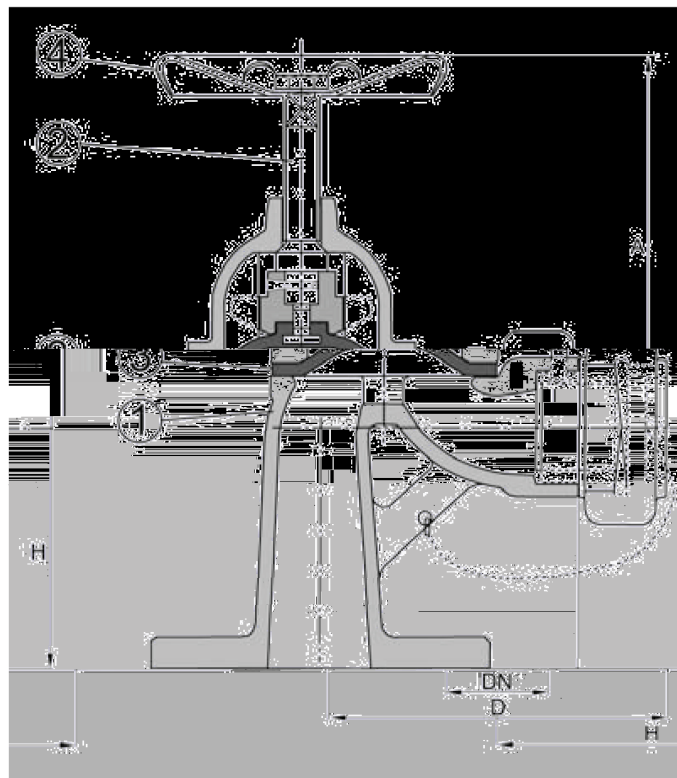




**Diaphragm Valve
PN 16 Flange Angle Bronze**

Model/Ref: 469522

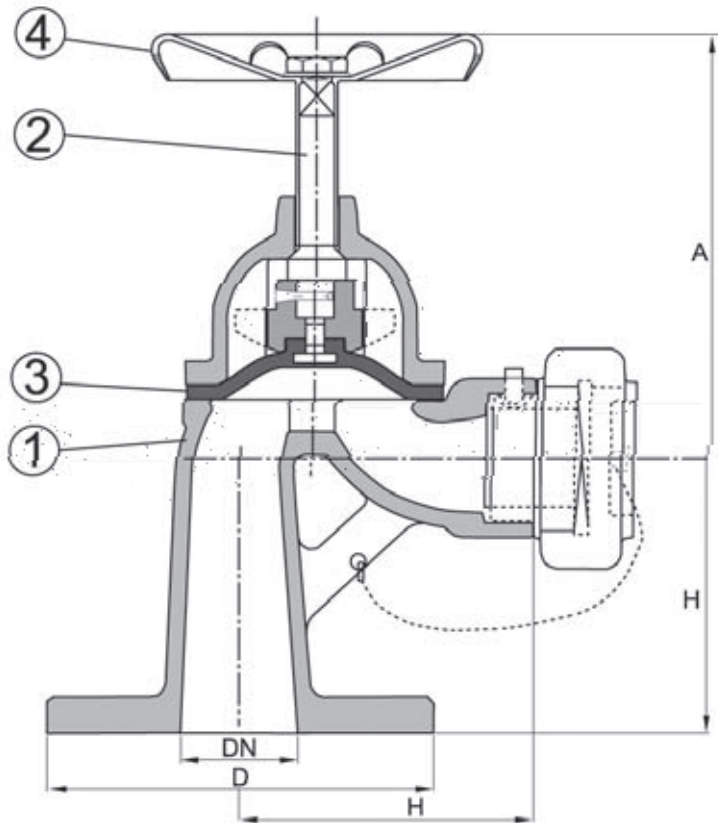


*Partnership.
Without Limits.*

www.lauridsenindustri.com

Diaphragm Valve PN 16 Flange Angle Bronze

No	Part	Material
1	Body	Bronze Rg5
2	Stem	Brass
3	Diaphragm	Special rubber
4	Handwheel	Bronze Rg5


Variants:

With coupling

 Body material *Bronze Rg10*

Other dimensions/materials on request

DN	D	A	L	H	Max working-pressure		Weight Kg
					Mpa 120 °C	Mpa °C	
50	165	190	230	125	1,6		10
65	185	215	290	145	1,6		14