

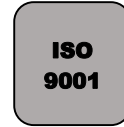
H P

H P PH H

The solenoid valve EVB 82 is intended for the automatic shut off the water pipes of large size until the size DN 300. Normally closed, the remote opening of the solenoid valve is made by the application of an electric current on the pilot. It has a manual lever. The water must be clear of particles and the installation of a protection's strainer upstream is recommended. Respect the sense of the flow. Do not use on compressible fluids (Compressed air..).

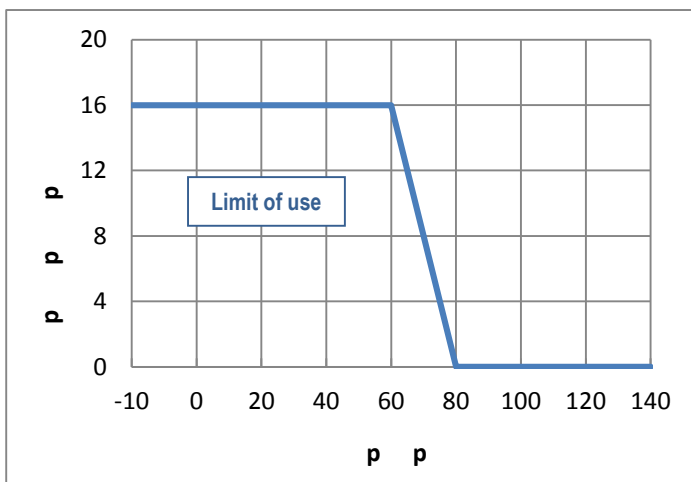
H

Cast iron body PN 16, connecting with flanges PN 16.
 Diameter DN 50 to DN 300.
 Voltages 230V CA, 110V CA, 48V CA, 24V CA/CC, 12V CC.
 Normally closed.

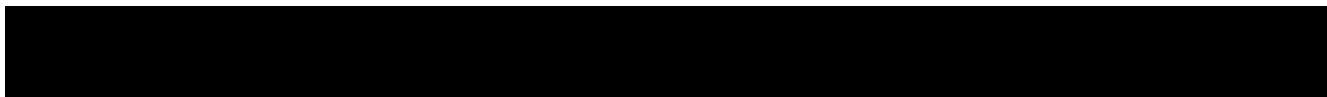


H H

h	Liquids groupe 2 according to CE 97/23
h p p	16 bar
p p	0,3 bar < ΔP < 10 bar
h p p	-10°C / +80°C
P p p	-10°C / +60°C
p	ED 100%



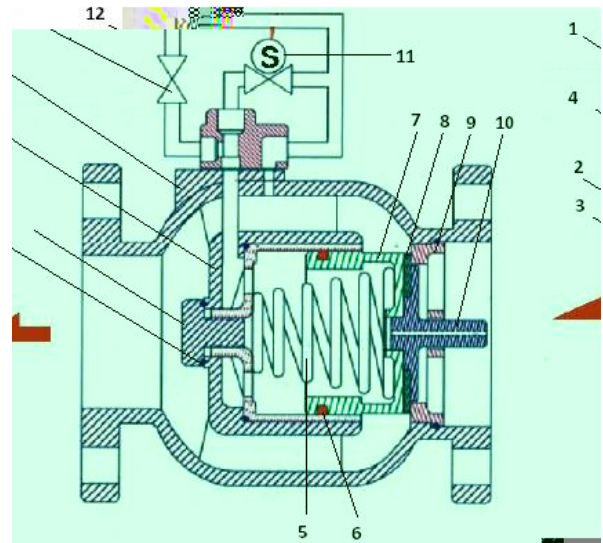
Modifications reserved



H P

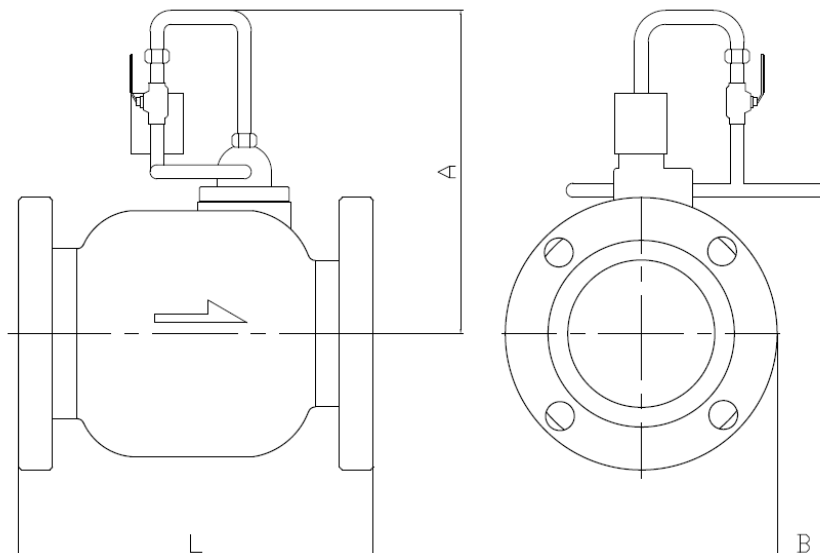
P H

H	ph
Body	Cast iron
Cylinder's screw	Brass
O-ring	NBR
Cylinder	Bronze
Spring	Stainless steel
U-ring	NBR
Piston	Bronze
Gasket	NBR
Seat	Bronze
Intake pressure	Bronze
Pilot's solenoid valve	Brass
manual lever	Brass



H H

L	190	210	225	255	285	315	420
A	187	192	207	219	242	257	297
B	50	40	30	20	10	-	-
Weight (kg)	13,5	15,5	20,5	26,5	38,5	51,5	95,5



Modifications reserved

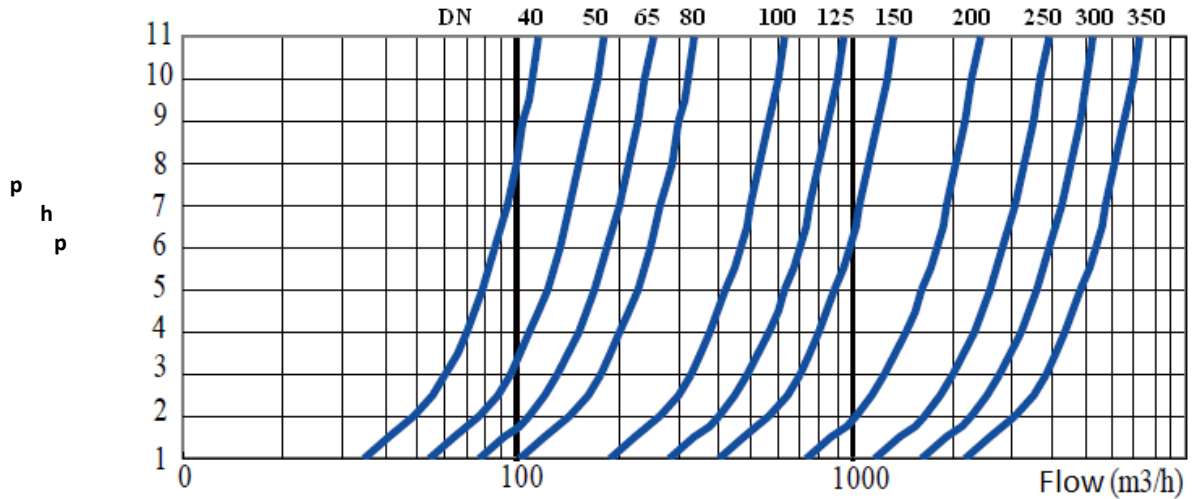


H P

HH

Kv	64	89	119	222	333	470	854	1367	1880

P H P



H

There are several options for which we ask you to consult our sales department:

1	Bronze body
2	NO Operating

H H

1. Plan a protection's strainer upstream of the solenoid valve and stop valves upstream and downstream.
2. Respect the sense of the flow indicated on the body of the solenoid valve.
3. Avoid the assembly of the solenoid valve with pilot upside down.
4. Make sure there is enough ΔP between upstream and downstream.
5. Verify the adequacy of the flanges of the piping to the standard EN 1092-1 PN16.
6. Verify that the space between the flanges of the pipe corresponds to the face to face dimension of the solenoid valve.
7. Fix the flanges of the solenoid valve by using gaskets and adapted bolts.
8. Verify that the planned power supply voltage corresponds to that written on the coil of the pilot.
9. Proceed to the electrical connection of the pilot by using the connector of connecting.
10. Put the manual lever in the closed position.
11. Proceed to a operating test.

Modifications reserved

