

VEM MECAIR PNEUMATIC PULSE VALVE

FEATURES

The pneumatic valve VEM is designed for the reverse compressed air jet unclogging of bag filters and filter bags. Its action is instantaneous, with a very high flow-rate. The solenoid valve is made of aluminium moulded under pressure and anodised, with stainless steel nuts and bolts, providing protection against atmospheric agents and corrosive environments.



AVAILABLE MODELS

VEM: G 3/4" to 2"1/2.

Diaphragms: NBR

G threaded connection.

Compressed air G 1/4" connection.

LIMITS OF USE

Fluid:	Non-lubricated, filtered, dry compressed air
Fluid WP:	0.5 - 7.5 bar
Fluid WT°:	-20°C / +120°C



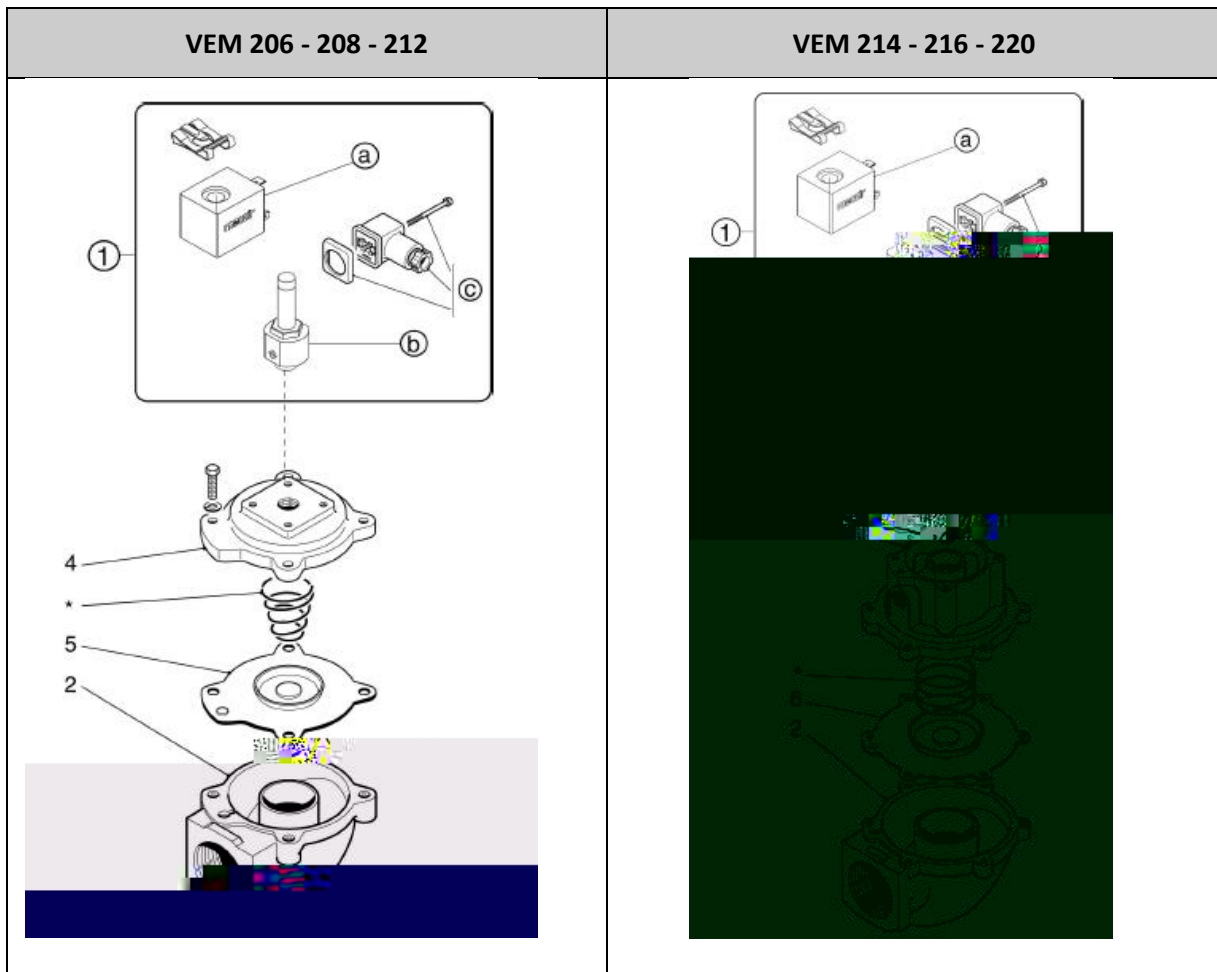
HYDRAULIC FEATURES

VEM	Size	Number diaphragms	Pressure (bar)		Kv (m3/h)	Cv
			Max.	Minimum		
206	G 3/4"	1	7.5	0.5	10	11.6
208	G 1"	1	7.5	0.5	21	24.4
212	G 1"1/2	1	7.5	0.5	37	43
214	G 1"1/2	2	7.5	0.5	44	51.2
216	G 2"	2	7.5	0.5	78	90.7
220	G 2" 1/2	2	7.5	0.6	96	112

Information given as an indication only, and subject to possible modifications

VEM MECAIR PNEUMATIC PULSE VALVE

CONSTRUCTION

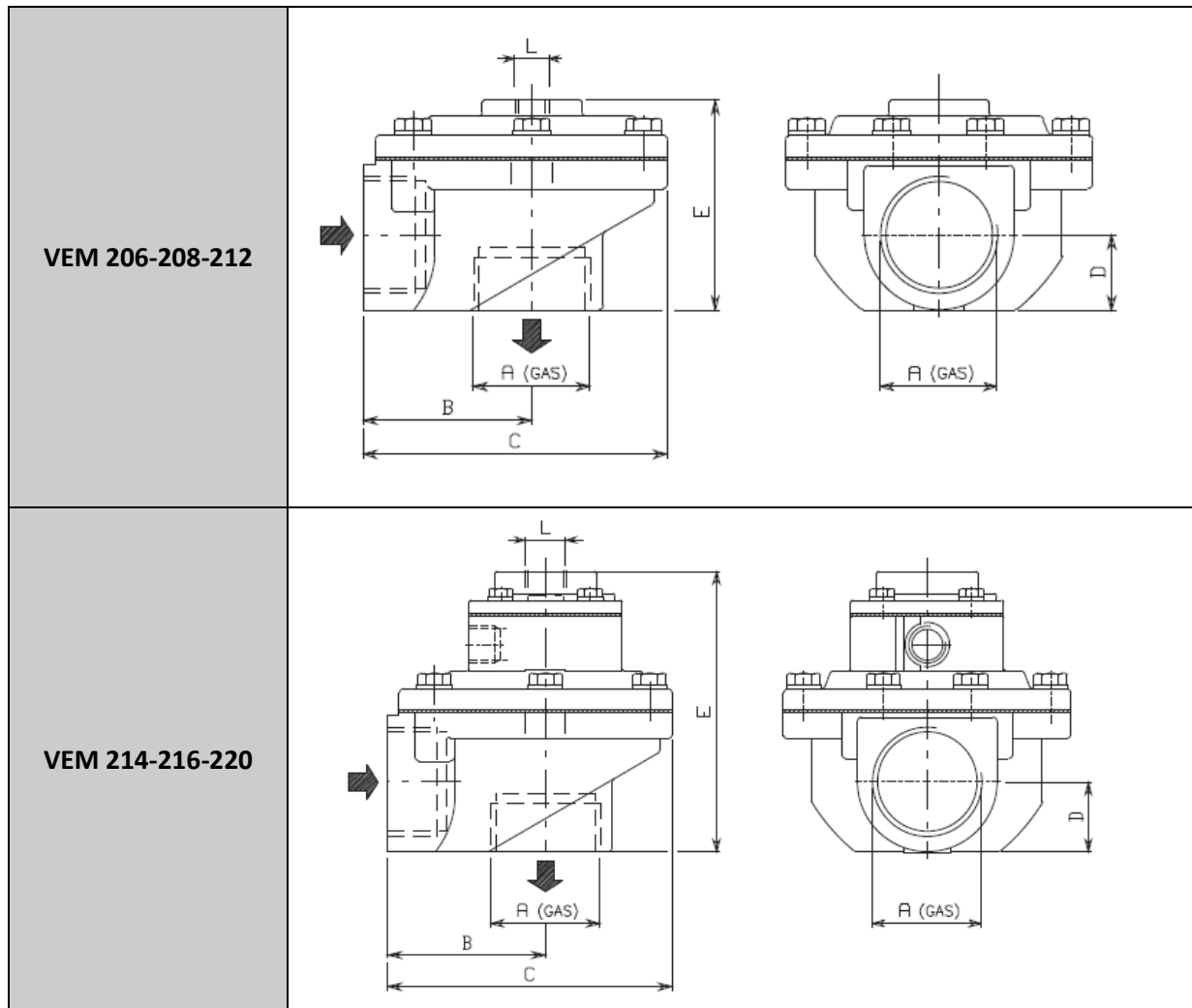


No.	Part	Material
1	Pilot assembly with coil and connector	Stainless steel
2	Body	Moulded aluminium
4	Upper cover	Moulded aluminium
5	Membrane	NBR
6	Secondary diaphragm	NBR
7	Intermediate cover (double diaphragm)	Moulded aluminium
*	Spring	Only on VEM 212

Information given as an indication only, and subject to possible modifications

VEM MECAIR PNEUMATIC PULSE VALVE

DIMENSIONS



TYPE	A	B	C	D	E	L	F	Weight (kg)
206	G 3/4"	41	75	18	59	G 1/4"	60	0.25
208	G 1"	52	90	23	63	G 1/4"	74	0.35
212	G 1"1/2	72	130	31	93	G 1/4"	135	1.10
214	G 1"1/2	72	130	31	126	G 1/4"	135	1.20
216	G 2"	90	165	35	146	G 1/4"	160	2.20
220	G 2"1/2	116	199	47	166	G 1/4"	190	3.00

Information given as an indication only, and subject to possible modifications

VEM MECAIR PNEUMATIC PULSE VALVE

SPARE PARTS

Diaphragm kit						
EV	VEM 206	VEM 208	VEM 212	VEM 214	VEM 216	VEM 220
Main diaphragm ref.	DB 16	DB 18	DB 122	DB16	DB16	DB18
Secondary diaphragm ref.				DB114	DB116	DB124
Code	980190	980191	980192	980193	980194	980195

Spring			
VEM 212	VEM 214	VEM 216	VEM 220
980590			

OPTIONS

- VNP pulse valve with electric-pneumatic control

Information given as an indication only, and subject to possible modifications