

M I

The level gauge cock valves NX are intended for the equipment of level indicators with tube or with glass with pipes of diameter 16mm. The tightening is made by cylindrical plug with graphite or PTFE rings. The lower valve is provided with a drain valve. Optional it can be provided with a ball of security and with a push-button.



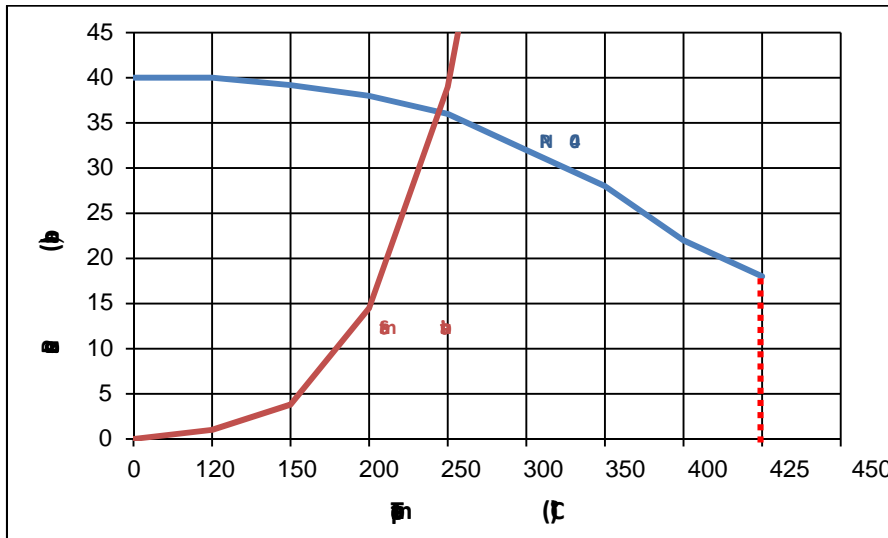
R D

BSP screwed end connections G1/2", G3/4", and G1".
 Flanges connections PN10, 16, 25, 40 - DN15/20 and 25.
 Flanges connections ANSI150 RF- G1/2", G3/4" and G1".



M D S

M	W	fi	p	8	40 bar to 20°C
M	W	fi	pn	: 5	-25°C to 425°C
W	o	ti	tn		36 bar / 245°C



D A S D

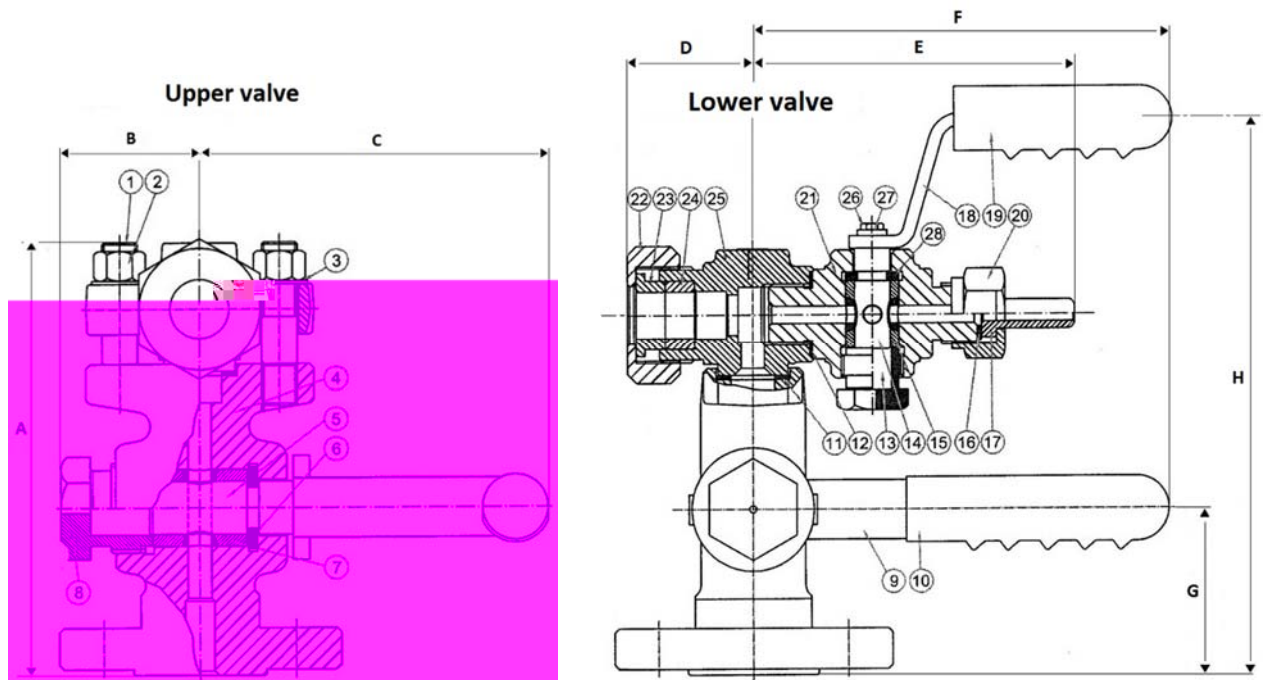
tn	ti
Pressure equipment directive 97/23	Excluded
Steel materials	EN1503-1
BSP thread	ISO228
Flanges	EN1092-1

Modifications reserved



B

N	tn	M (e p)	M (b e p)	G p H
1	Bolt	B7Carbonsteel	B8stainlesssteel	
2	Nut	2HCarbonsteel	Gr8 stainlesssteel	
3	washer	UNI6592Carbonsteel	Stainlesssteel	
4	Body	A105NCarbonsteel	Stainlesssteel316	
5	plugF18	StainlesssteelAIS316	StainlesssteelAIS316	kit 986070Included
6	RingF18	StainlesssteelAIS316	StainlesssteelAIS316	kit 986070Included
7	PackingleevesF18,5	Graphite	Graphite	kit 986070Included
8	StuffingboxF18	Carbonsteel	Stainlesssteel316	kit 986070Included
9	Bigcockhandle	Carbonsteel	Stainlesssteel316	
0	Bigcoverhandle	Nylon66	Nylon66	
1	Spirometalligasket	Stainlesssteel/ Graphite	Stainlesssteel/ Graphit	
2	Ringthickness	StainlesssteelAIS316	StainlesssteelAIS316	
3	StuffingboxF12	StainlesssteelAIS316	Stainlesssteel316	kit 986070Included
4	PlugF12	StainlesssteelAIS316	StainlesssteelAIS316	
5	PackingleevesF12,2	Graphite	Graphite	kit 986070Included
6	Gasket	Graphite	Graphite	kit 986070Included
7	Connectorpipe	Carbonsteel	Stainlesssteel316	
8	Little cockhandle	Carbonsteel	Stainlesssteel316	
9	Little cockhandle	Nylon66	Nylon66	
0	Draincockcover	Carbonsteel	Stainlesssteel316	
2	Draincock	A 105NCarbonsteel	Stainlesssteel316	
2	Connectionscover	Carbonsteel	Stainlesssteel316	
3	Stuffingbox ring	Carbonsteel	Stainlesssteel316	
4	Packingleeves	Graphite	Graphite	kit 986070Included
5	Stuffingboxbody	A 105NCarbonsteel	Stainlesssteel316	
8	Capscrew	UNI5739 Carbonsteel	UNI5739Carbonsteel	
7	Washer	UNI6592Carbonsteel	UNI6592Carbonsteel	
8	RingF12	StainlesssteelAIS316	StainlesssteelAIS316	kit 986070Included



Modifications reserved

S E V A O P N

1 (m m W) (k

N	h	h	N	A	B	C	D	E	F	G	H
5	95	88,9	4	150	45	90	43	115	160	47	193
0	105	98,6	4	150	45	90	43	115	160	47	193
2	115	108	4	150	45	90	43	115	160	47	193
G 2				150	45	90	43	115	160	47	193
G 3				150	45	90	43	115	160	47	193
G 1				150	45	90	43	115	160	47	193

N	h	h	h
5	Uppervalue	2,9	3
5	Uppervaluewith drain 1/2" M/M	3,3	3,6
5	Uppervalue+ lower + drain 1/2" M/M	6,1	6,6
0	Uppervalue	3,1	3
0	Uppervaluewith drain 1/2" M/M	3,6	3,6
0	Uppervalue+ lower + drain 1/2" M/M	6,7	6,6
2	Uppervalue	3,4	3
2	Uppervaluewith drain 1/2" M/M	3,8	3,6
2	Uppervalue+ lower + drain 1/2" M/M	7,2	6,6

1

- 1 - Verify that the tank is empty.
- 2 - To install the valve of level NX, begin by choosing flange gasket of reins adapted in the conditions of use.
- 3 - Present and fix the lower valve with drain NX to the tank. Insert the gasket and the bolts (not supplied) and tighten.
- 4 - Then position the axis pipe of the indicator level case in the nut and the ring of guide of the lower valve with drain NX then tighten the nut.
- 5 - Then position the ring of guide of the upper valve NX in the axis pipe superior of the indicator level case, then tighten the nut.
- 6 - End the installation of the upper valve NX on the tank. Insert the gasket and the bolts (not supplied) and tighten.
- 7 - Open the system supply.

2

- 1 - Close the opening of drain by means of the lower handle (Item 18).
- 2 - Open slowly the lower and upper valves NX by means of the handles (Item 9).

Modifications reserved



11

- 1 - Close both lower and upper valves NX of the supply by means of the handle (Item 9).
- 2 - Make decrease the pressure and the temperature to the ambient conditions.
- 3 - Open the valve of drain NX by means of the handle (Item 18), and drain down the fluid contained in the case of the level indicator. Close the valve drain.
- 4 - Verify the state of the rings in the valves. Replace them if need by means of kits planned for that purpose.
- 5 - Unscrew the nuts of the rings of guide of the lower and upper valve, to remove the case level indicator.
- 6 - Replace the case or change if so necessary the glasses.
- 7 - Replace the indicator level case on the rings of guide of the lower valves and upper NX.
- 8 - Tighten the nuts of the rings of guide.
- 9 - Open slowly the lower and upper valves NX by means of the handles (Item 9).

12

N	tn	6
	Drain valve alone	986050
	Nipples \varnothing 16mm L: 57,5mm + joint	986053
	Nipples \varnothing 16mm L: 72mm + joint	986054
	Nipples \varnothing 16mm L: 102mm + joint	986055
2	Graphite ring F16- \varnothing 16mm - H: 10mm	986060
2	PTFE ring F16- \varnothing 16mm - H: 10mm	986061
5	Packing sleeves graphite F12,2 - \varnothing E8 - \varnothing I12 - 2 orifices	986063
7	Packing sleeves graphite F18,2 - \varnothing E26 - \varnothing I18 - 2 orifices	986064
5	Packing sleeves PTFE F12,2 - \varnothing E18 - \varnothing I12 - 2 orifices	986065
7	Packing sleeves PTFE F18,2 - \varnothing E26 - \varnothing I18 - 2 orifices	986066
5 6 7 8 9 10 11 12	Complete gasket's kit NX	986070

13

tn	6
Pushbutton + security ball	2315BOUTON
Security ball	2315BILLE

