

MF 200 E MAGNETIC FLOW METER

FEATURES

Magnetic transmission flow meters are designed for the on-line measurement of water flow-rates. The movement of a magnetic float drives the needle movement on the measurement scale. Flow-rate reading on the dial, 316 stainless steel construction. G thread connections. Vertically mounted, ascending flow.

AVAILABLE MODELS

DN 1/2" to 1"1/2
Water flow-rates from 0.4 to 4,000 litres/hour.
G thread connections

CERTIFICATION

Pressure equipment Directive 97/23 EC category II EC 1128

LIMITS OF USE

Electrical protection	IP 65
Fluid WP:	10 bar
Fluid WT°:	-40°C / +180°C
Accuracy:	+/- 2% of the scale

FLOW-RATE RANGES

DN	Water flow-rate range at 20°C (litres/hour)
1/2"	15-150
1/2"	40-400
3/4"	60-600
3/4"	75-750
1"	100-1000
1"1/2	200-2000
1"1/2	400-4000

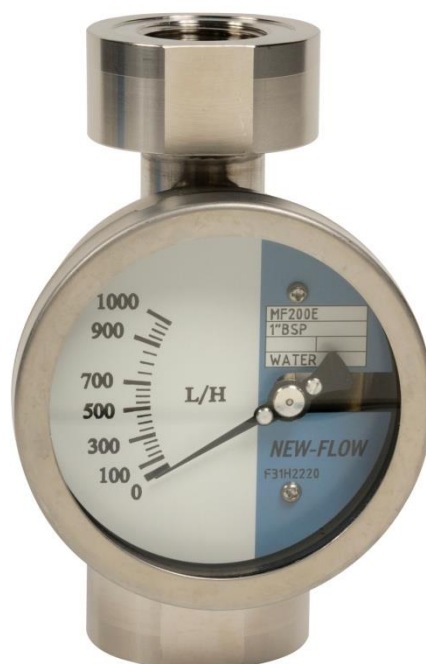
CONSTRUCTION

No.	Item	Material
1	Body	A182 F316 stainless steel
2	Float	A182 F316 stainless steel
3	Dial	A182 F316 stainless steel

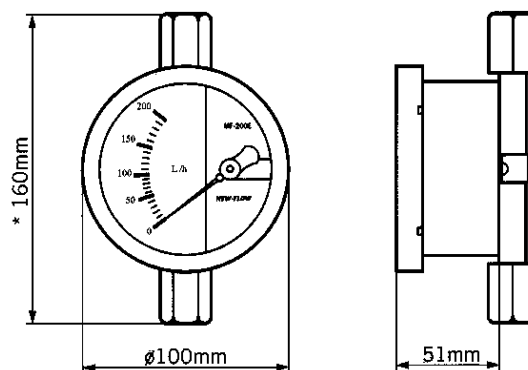
INSTALLATION

Mounting on vertical piping, ascending flow.

Information given as an indication only, and subject to possible modifications



DIMENSIONS



OPTIONS

NPT connections
Flange connections
Flow-rate contactors
Model for measuring air flow-rates.
Model with control valve.