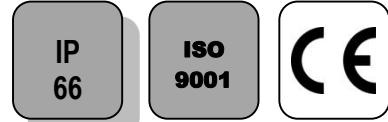


# BR250S STAINLESS STEEL MAGNETIC FLOW METER WITH FLANGES

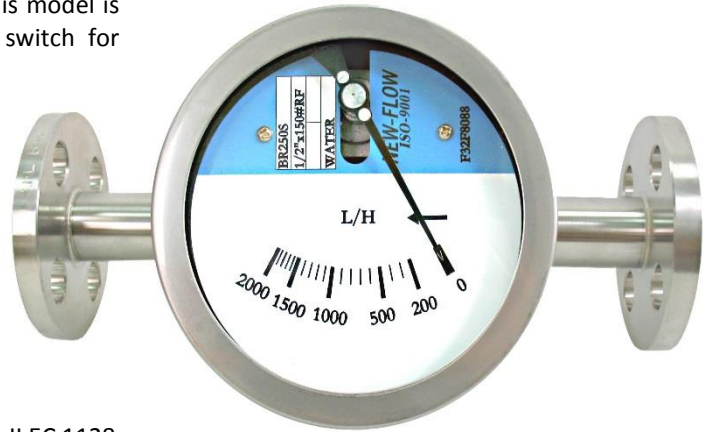
## FEATURES

The BR 250S magnetic transmission flow meter is designed for the on-line measurement of water flow-rates. The movement of a magnetic float drives the needle movement on the measurement scale. Flow-rate reading on the dial, 316 stainless steel construction. Flange connections. Horizontal mounting, flow from left to right. This model is equipped, as a standard, with an adjustable switch for information feedback on a flow-rate threshold.



## AVAILABLE MODELS

DN 25 to DN 100.  
Water flow-rates from 400 to 6,000 litres/hour.  
PN 16 flange connections



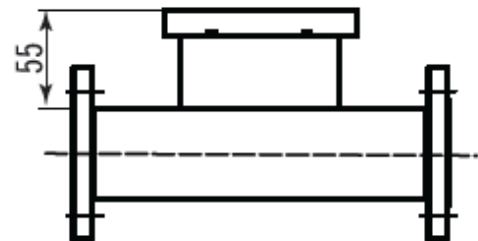
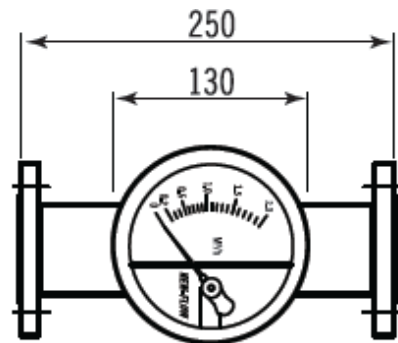
## CERTIFICATION

Pressure equipment Directive 97/23 EC category II EC 1128

## LIMITS OF USE

|                       |                       |
|-----------------------|-----------------------|
| Electrical protection | IP 66                 |
| Fluid WP:             | 16 bar                |
| Fluid WT°:            | -50°C / +200°C        |
| Ambient temperature   | -25°C / +80°C         |
| Accuracy:             | +/- 2.5% of the scale |

## DIMENSIONS (mm)



## FLOW-RATE RANGES

| DN  | Water flow-rate range at 20°C (litres/hour) |
|-----|---|
| 25  | 400 – 4,000                                 |
| 40  | 1,000 – 10,000                              |
| 50  | 2,000 – 20,000                              |
| 65  | 3,000 – 30,000                              |
| 80  | 4,000 – 40,000                              |
| 100 | 6,000 – 60,000                              |

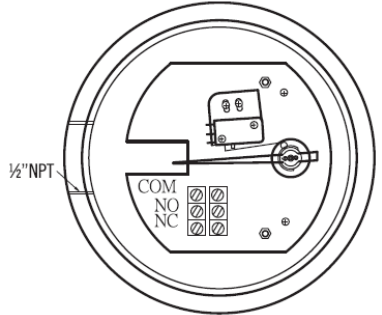
Information given as an indication only, and subject to possible modifications

# BR250S STAINLESS STEEL MAGNETIC FLOW METER WITH FLANGES

## CONSTRUCTION

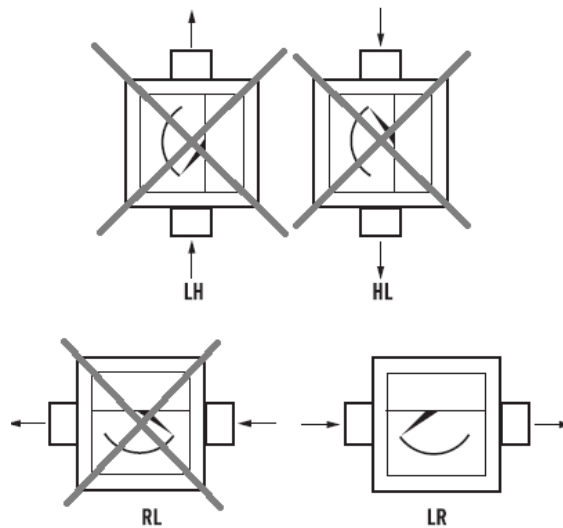
| No. | Item  | Material                  |
|-----|-------|---------------------------|
| 1   | Body  | A182 F316 stainless steel |
| 2   | Float | A182 F316 stainless steel |
| 3   | Dial  | AISI 316 SS               |

## SWITCH

|                        |                                     |   |
|------------------------|-------------------------------------|---|
| <b>Type</b>            | Adjustable SPDT micro-switch        |  |
| <b>Cut-off voltage</b> | 5A@250V AC – 5A@30V CC – 5A@125V CC |   |
| <b>Hysteresis</b>      | +/- 10% of the scale                |   |
| <b>Cable outlet</b>    | ½" NPT                              |   |

## INSTALLATION

Mounting on horizontal piping, flow from left to right.  
Comply with the mounting indicated by the arrow on the body.



## OPTION

Model for measuring air flow-rates.

Information given as an indication only, and subject to possible modifications