

507 BALL VALVE WITH PNEUMATIC ACTUATOR

MAIN CHARACTERISTIC

The 507 cast iron flanged ball valve is dedicated to the automatic shut-off of low pressure and non-dangereous fluids' lines up to 16 bar. With a full bore split-body construction type, the 507 valve is CE PED 97/23 approved and ATEX certified. The face to face dimension is standardized following EN 558-1 serial 27. The ISO 5211 ISO pad enables the mounting of standardized actuators. The actuation is available in both double effect and spring return types with numerous options.

This valve is not recommended for compressed air and steam applications.

AVAILABLE MODELS

Grey cast iron body

Sizes DN 15 à DN 200

Connection with flanges PN16 RF

Short pattern EN 558-1 serial 27

CLASSIFICATION FOLLOWING PED

Sizes < DN 25: not subjected to PED acc. to A3 §3

Sizes DN32 to 200: category II: CE 0062 homologation

LIMITS OF USE

PS	TS
16 bar @ 20°C	-10°C/+200°C

OPTIONS

Declutchable gear box
Oversized actuator
Limits switches box
NAMUR pilot valve

ACTUATOR TYPE

See our technical data sheet.

Modifications reserved



MOTORIZATION WITH ACTUATOR

The actuators are sized for following operating conditions :
- 6 bar compressed air supply,
- max. pressure differential up/downstream : 10 bar.

Size	Double effect	Spring return
15	DA 20	SR 20
20	DA 20	SR 20
25	DA 20	SR 40
32	DA 20	SR 40
40	DA 40	SR 80
50	DA 80	SR 130
65	DA 80	SR 130
80	DA 130	SR 300
100	DA 200	SR 500
125	DA 300	SR 850
150	DA 300	SR 1200
200	DA 850	

For any other operating condition, please consult.

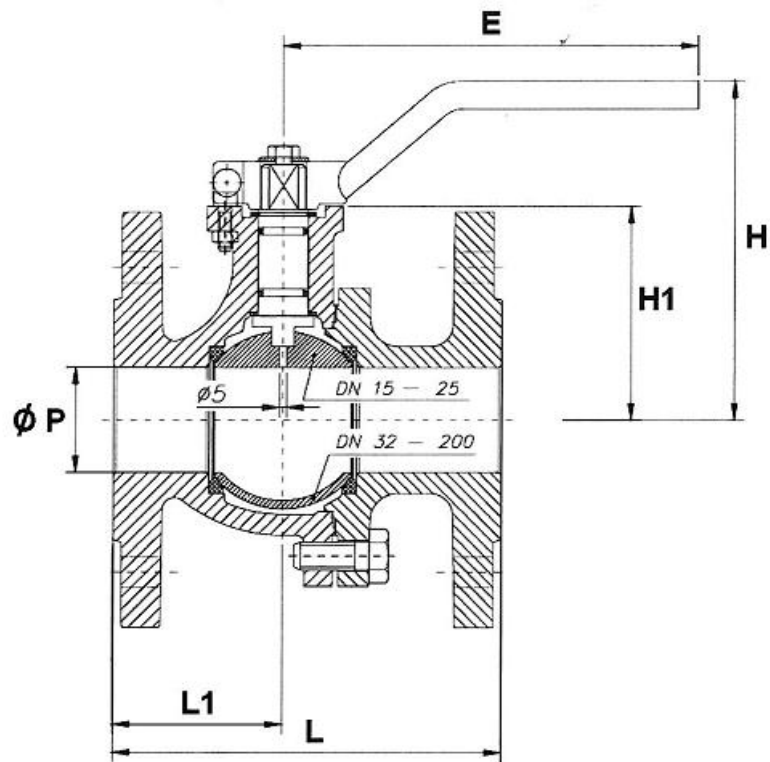
The linking parts between the valve and the actuator are available in stainless steel, with design according to EN 15081 standard.

507 BALL VALVE WITH PNEUMATIC ACTUATOR

STANDARDS OF CONSTRUCTION

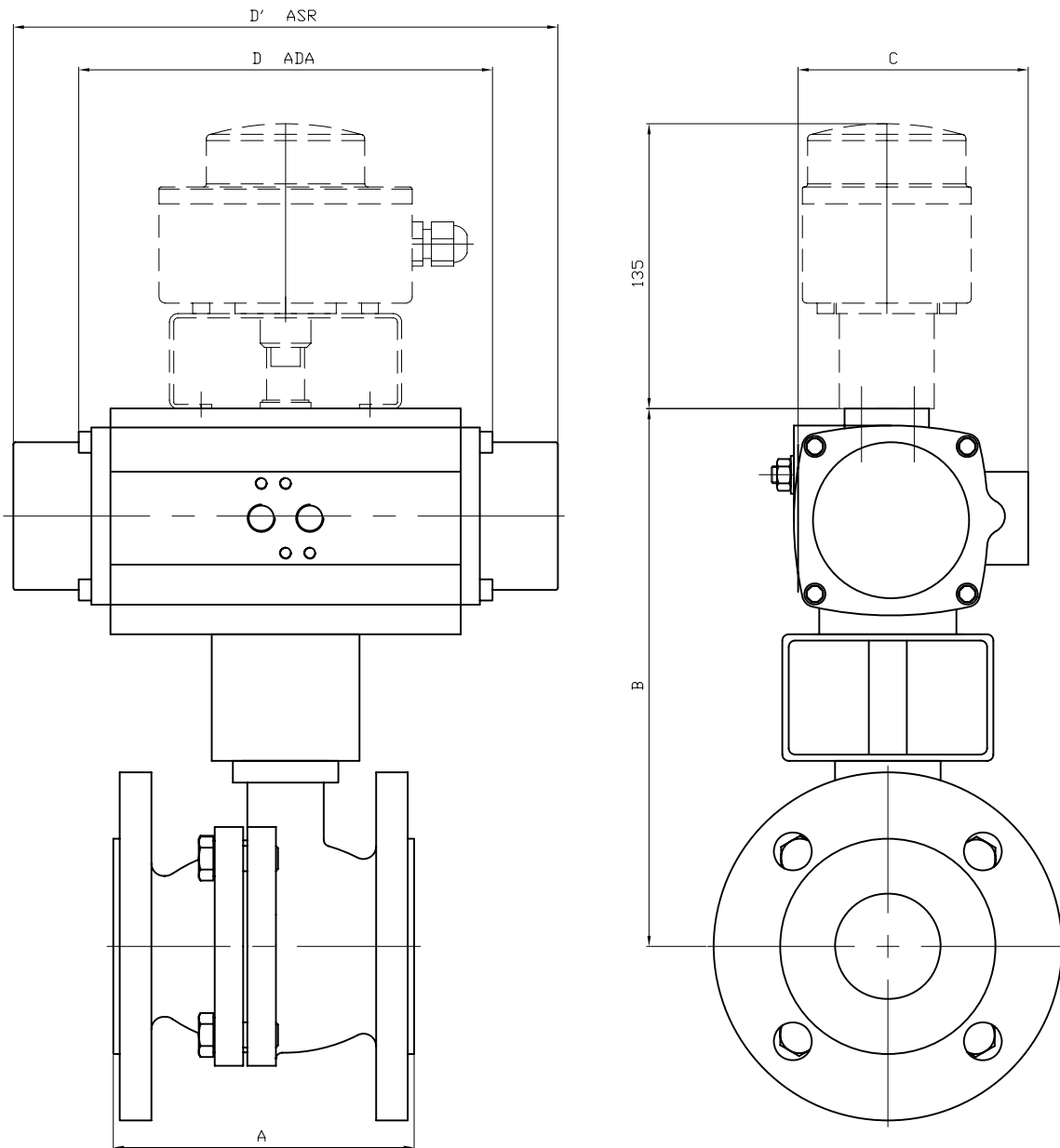
	Standard		Standard
Construction	DIN 3357	Flanges	EN 1092-1 PN16 RF
Conception	DIN 3840	Face to face	EN 558-1 série 27
Final test	EN 12266-1	Motorisation	ISO 5211
ATEX	II 2 G/D Tx	ATEX areas	1,21, 2 et 20 0 9 225.565465 676.. areas

507 BALL VALVE WITH PNEUMATIC ACTUATOR



DIMENSIONS (mm)

Size	15	20	25	32	40	50	65	80	100	125	150	200
Kv (m ³ /h)	37.4	74.8	105	176	223	416	660	1200	1980	3600	5040	10890
Ø P	13	17	24	31	38	50	65	80	100	125	150	200
L	115	120	125	130	140	150	170	180	190	200	210	400
L1	49	55.5	51.5	53	61	62	81.5	79	94	120.5	155	190
H	92	95.5	102.2	114.7	119	127	141	151.5	176.5	208	254.2	293.5
H1	48.5	53	59.5	72	77	85	98	108.5	134	165	190	229



DN	15		20		25		32		40		50		65		80		100		
ACTREG	ADA20	ASR20	ADA20	ASR20	ADA20	ASR40	ADA20	ASR40	ADA40	ASR80	ADA80	ASR130	ADA80	ASR130	ADA130	ASR300	ADA200	ASR500	
A	115		120		125		130		140		150		170		180		190		
B	174.5	174.5	179	179	174.5	193.5	198	217	222	244	252	262	265	275	282.5	302.5	349	383	
C	76	76	76	76	76	91	76	91	91	111	111	122	111	122	122	152.5	135.5	173	
D	145	-	145	-	145	-	145	-	158	-	177	-	177	-	196	-	225	-	
D'	-	163	-	163	-	195	-	195	-	217	-	258	-	258	-	348.5	-	397	
DN	125		150		200														
ACTREG	ADA300	ASR500	ADA300	ASR1200	ADA850														
A	200		210		400														
B	397	414	422	489	520														
C	152.5	173	152.5	212.5	191.5														
D	273	-	273	-	372														
D'	-	397	-	560	-														

Informations données à titre indicatif et sous réserve de modifications éventuelles

Ech: /	Date :29/10/2010	Dessiné par : E.D.	Tolérances générales : +/- 0.2	Modifications	Date	REV.
				Matière :		
				Poids (Kg) :		
				Traitement : SANS		
				Plan n° Ens 1068		